



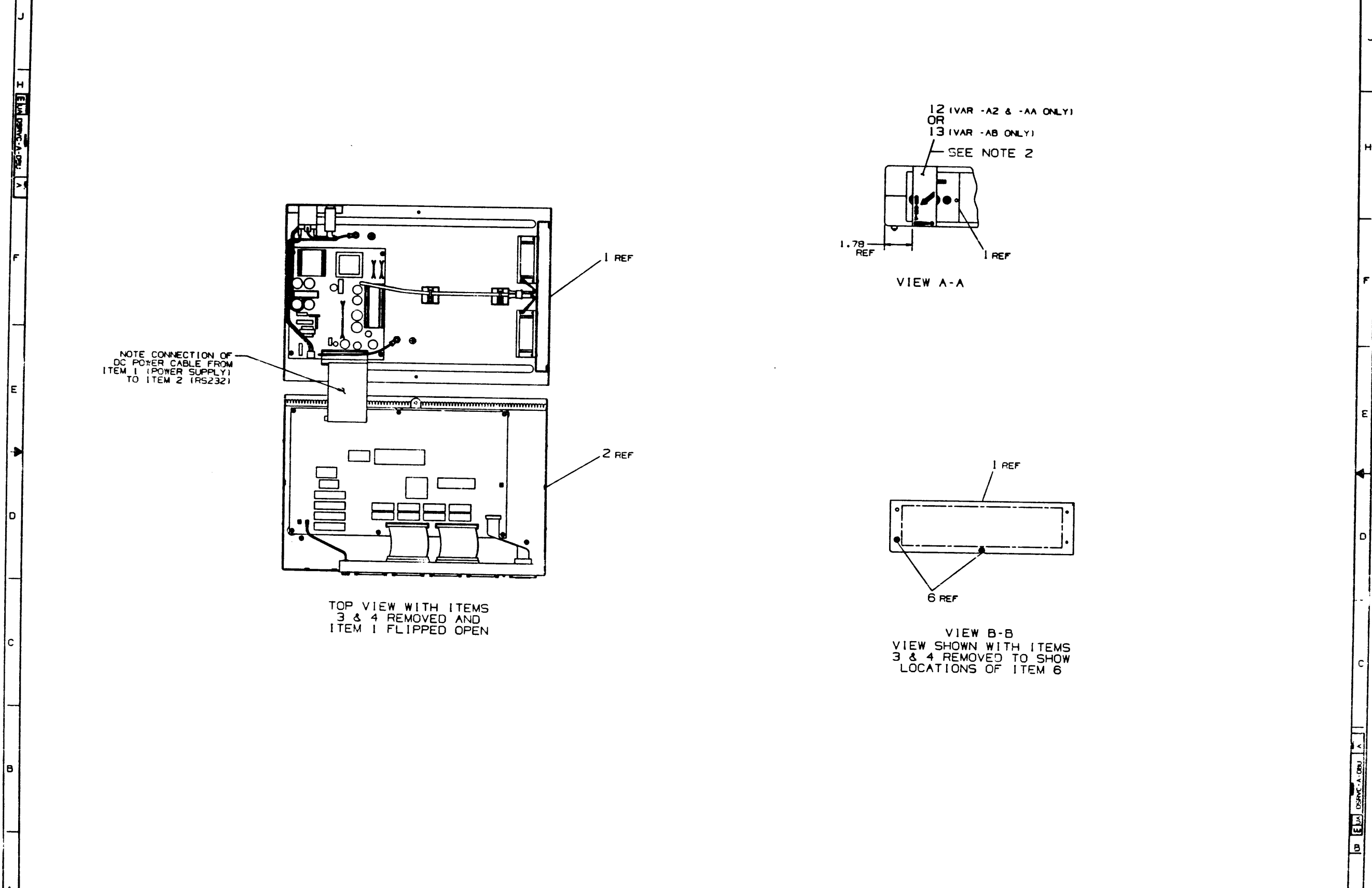




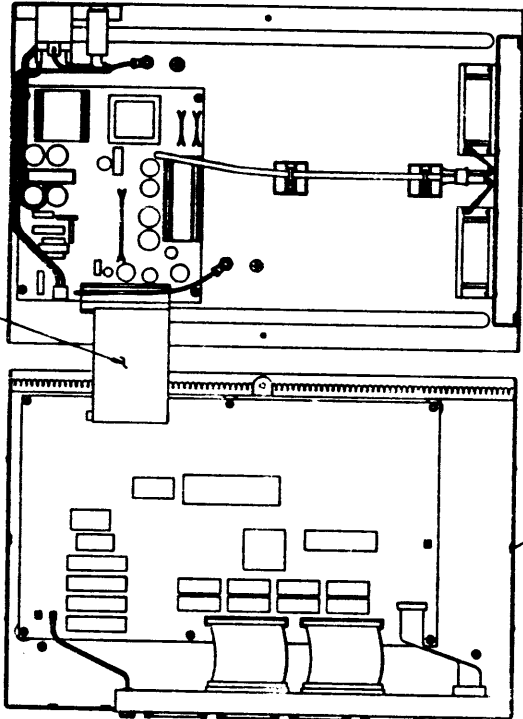


NO PARTS TO BE SHOWN IN THIS VIEW  
 PARTS TO BE SHOWN IN THIS VIEW

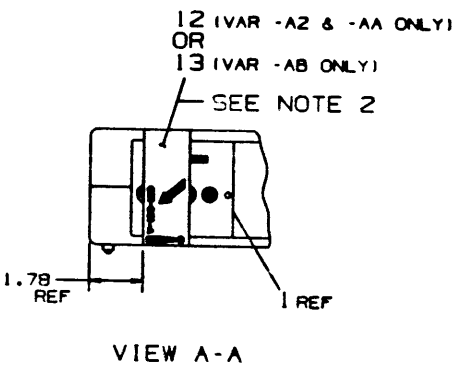
Y 100-V-00050 W13



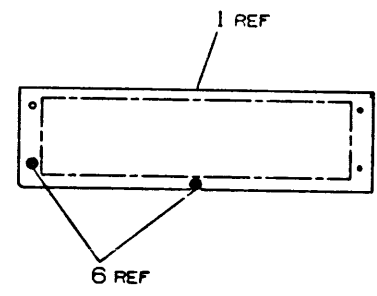
NOTE CONNECTION OF  
 DC POWER CABLE FROM  
 ITEM 1 (POWER SUPPLY)  
 TO ITEM 2 (RS232)



TOP VIEW WITH ITEMS  
 3 & 4 REMOVED AND  
 ITEM 1 FLIPPED OPEN



VIEW A-A



VIEW B-B  
 VIEW SHOWN WITH ITEMS  
 3 & 4 REMOVED TO SHOW  
 LOCATIONS OF ITEM 6

REVISION HISTORY		
DATE	ECO HISTORY	REV

PLOT AT: .50



DRAWING NO.	NO. SHTS	PART NO.	DESCRIPTION	REVISIONS
		5418027-01	RS232 I/O BOARD	A1
E-UA-5418027-0-0	2		RS232 I/O BOARD UNIT ASSEMBLY	A
K-PL-5418027-0-DBP	1		RS232 I/O BOARD PARTS LIST	A
K-PC-5418027-0-DBV	-		PC DATA BASE	A
K-CS-5418027-0-DBD	-		DAISY DATA BASE	A
K-BD-5418027-0-ESD1	1		RS232 I/O BOARD BLOCK DIAGRAM	A
K-CS-5418027-0-ESD2	1		RS232 I/O BOARD SCHEMATIC	A
K-CS-5418027-0-ESD3	1		RS232 I/O BOARD SCHEMATIC	A
K-CS-5418027-0-ESD4	1		RS232 I/O BOARD SCHEMATIC	A
K-CS-5418027-0-ESD5	1		RS232 I/O BOARD SCHEMATIC	A
K-CS-5418027-0-ESD6	1		RS232 I/O BOARD SCHEMATIC	A
K-CS-5418027-0-ESD7	1		RS232 I/O BOARD SCHEMATIC	A
K-DD-5018026-0-0	1		RS232 I/O BOARD SCHEMATIC	A
			DRAWING DIRECTORY	A

NOTES:

R  
E  
V  
I  
S  
I  
O  
N  
S  
I  
N  
D  
I  
C  
E  
S  
A  
P  
P  
R  
O  
V  
E  
D  
B  
Y

THIS DRAWING AND THE SPECIFICATIONS CONTAINED HEREIN ARE CONFIDENTIAL AND PROPRIETARY. THEY ARE THE PROPERTY OF DIGITAL EQUIPMENT CORPORATION AND SHALL NOT BE REPRODUCED OR COPIED OR USED IN WHOLE OR IN PART AS THE BASIS FOR THE MANUFACTURE OR SALE OF ITEMS WITHOUT WRITTEN PERMISSION. THIS IS AN UNPUBLISHED WORK PROTECTED UNDER THE FEDERAL COPYRIGHT LAWS.

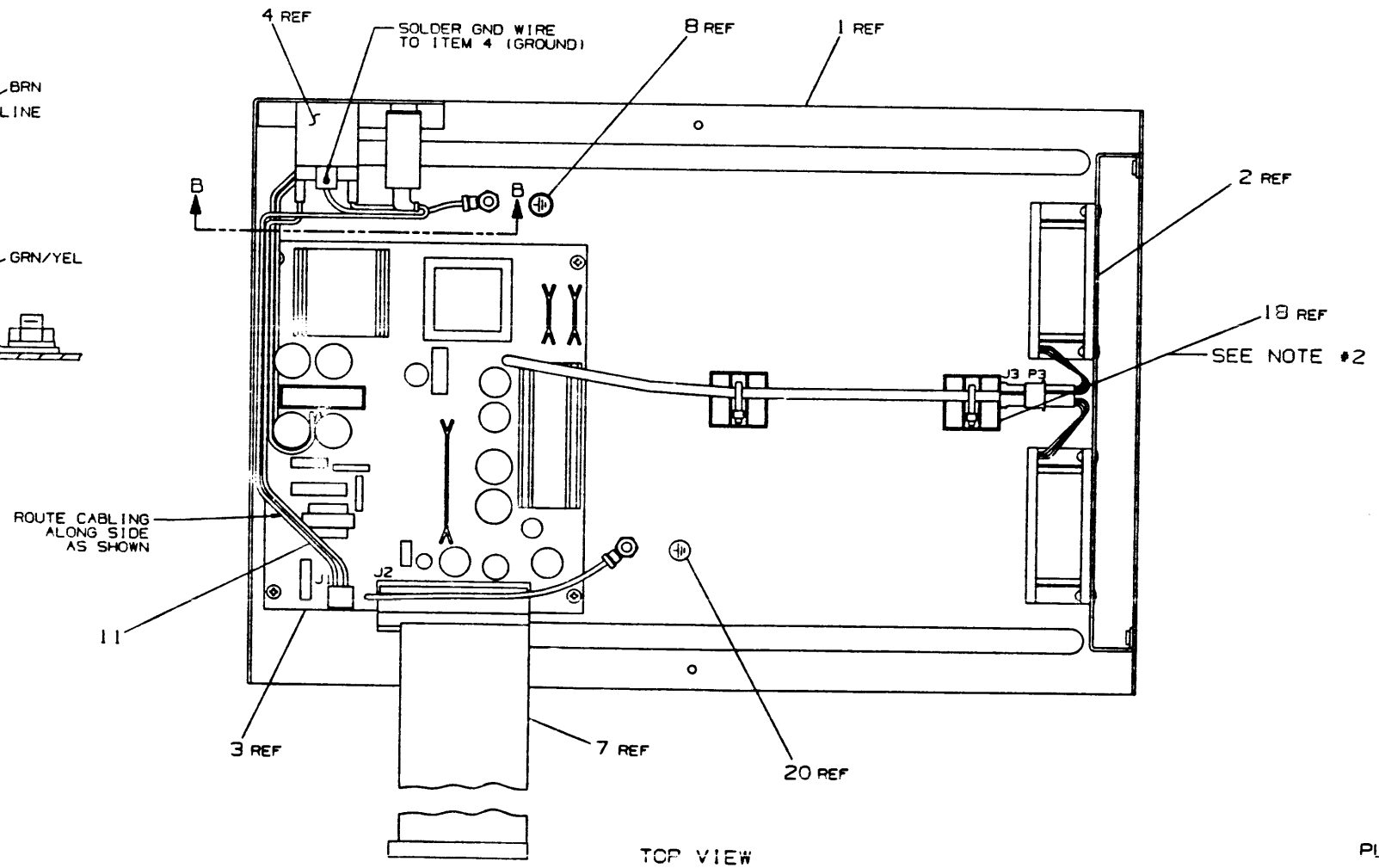
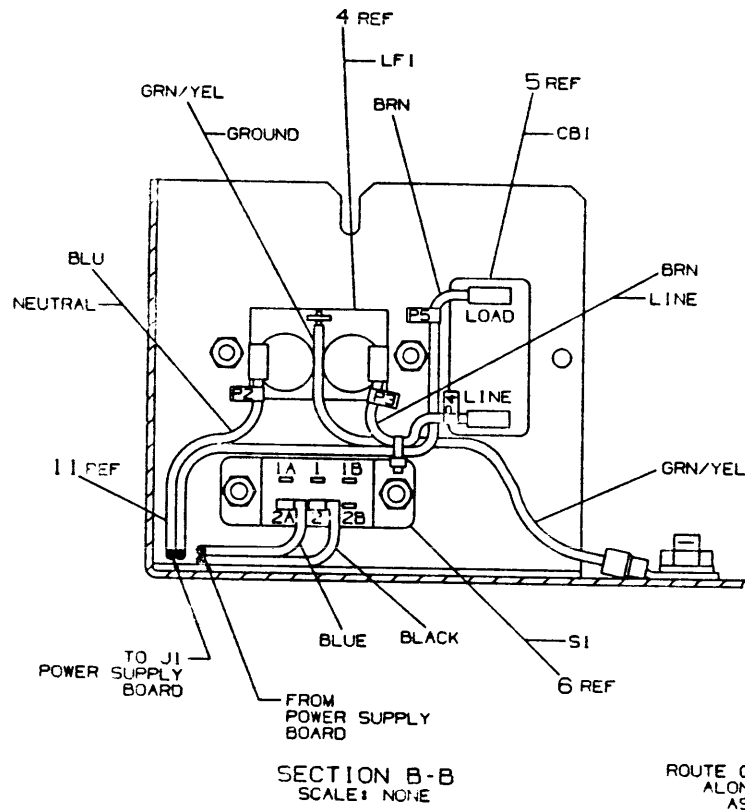
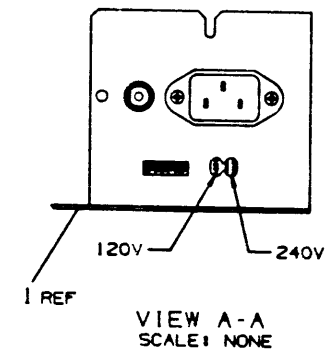
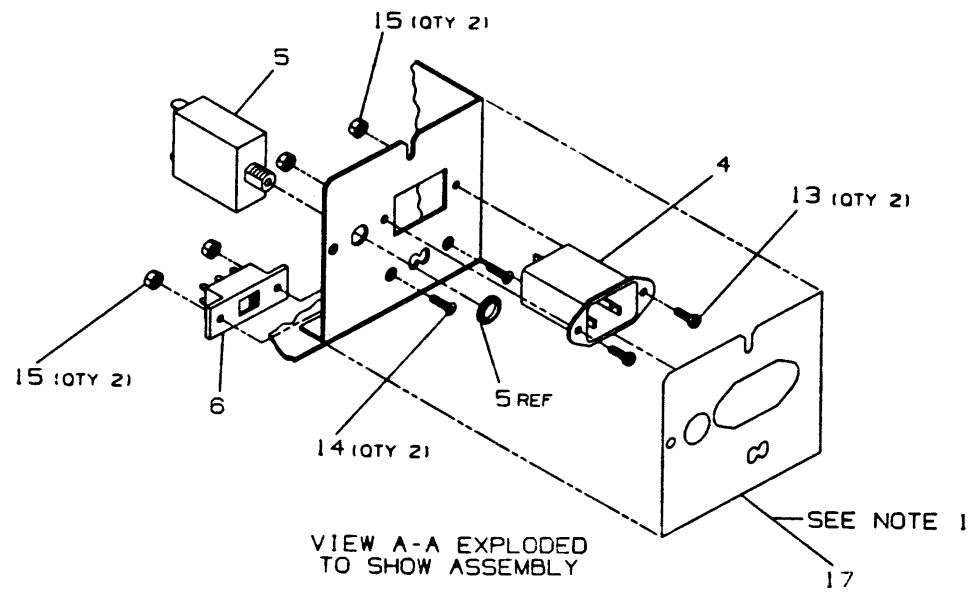
DRN: SHEILA MANSOR	DATE: 25APR86	d i g i t a l	
CHK'D: FRANK GAROFALO	DATE: 29-APR-86	TITLE RS232 I/O BOARD	
DES. ENG.: R. BATTERSBY	DATE: 29-APR-86	SHEET 1 OF 1	EDIT: 4
RESP. ENG.: R. BATTERSBY	DATE: 29-APR-86	DOCUMENT NUMBER	
MFG. ENG.: JAIME SEGUINOT	DATE: 29-APR-86	DD FILENAME: 18027.DDF	
		SIZE: K	CODE: DD
		NUMBER: 5418027-0-0	REV: A





7023183-0-000

WIRING INTERCONNECTION LIST		
ITEM	FROM	TO
AC INPUT HARNESS 11	P1	PWR SPLY (J1)
	POINT P2 (BLU)	LF1 (NEUTRAL)
	GROUND WIRE (G/Y)	LF1 (GND W/SOLDER)
	POINT P3 (BRN)	LF1 (LINE)
	POINT P4 (BRN)	CB1 (LINE)
POWER SUPPLY 3	TERMINAL (G/Y)	COVER GND STUD
	POINT P5 (BRN)	CB1 (LOAD)
	BLUE WIRE	S1 (2A)
DC POWER CABLE 7	BLACK WIRE	S1 (2)
	2 PIN MATE-N-LOK	FAN ASSY (P3)
	GROUND WIRE (G/Y)	COVER GND STUD
	RIBBON CABLE	PWR SPLY J2



REVISION HISTORY		
DATE	ECO HISTORY	REV

PLOT AT: 1.00

AUTOMATED BY VAXKPL (V1.1)

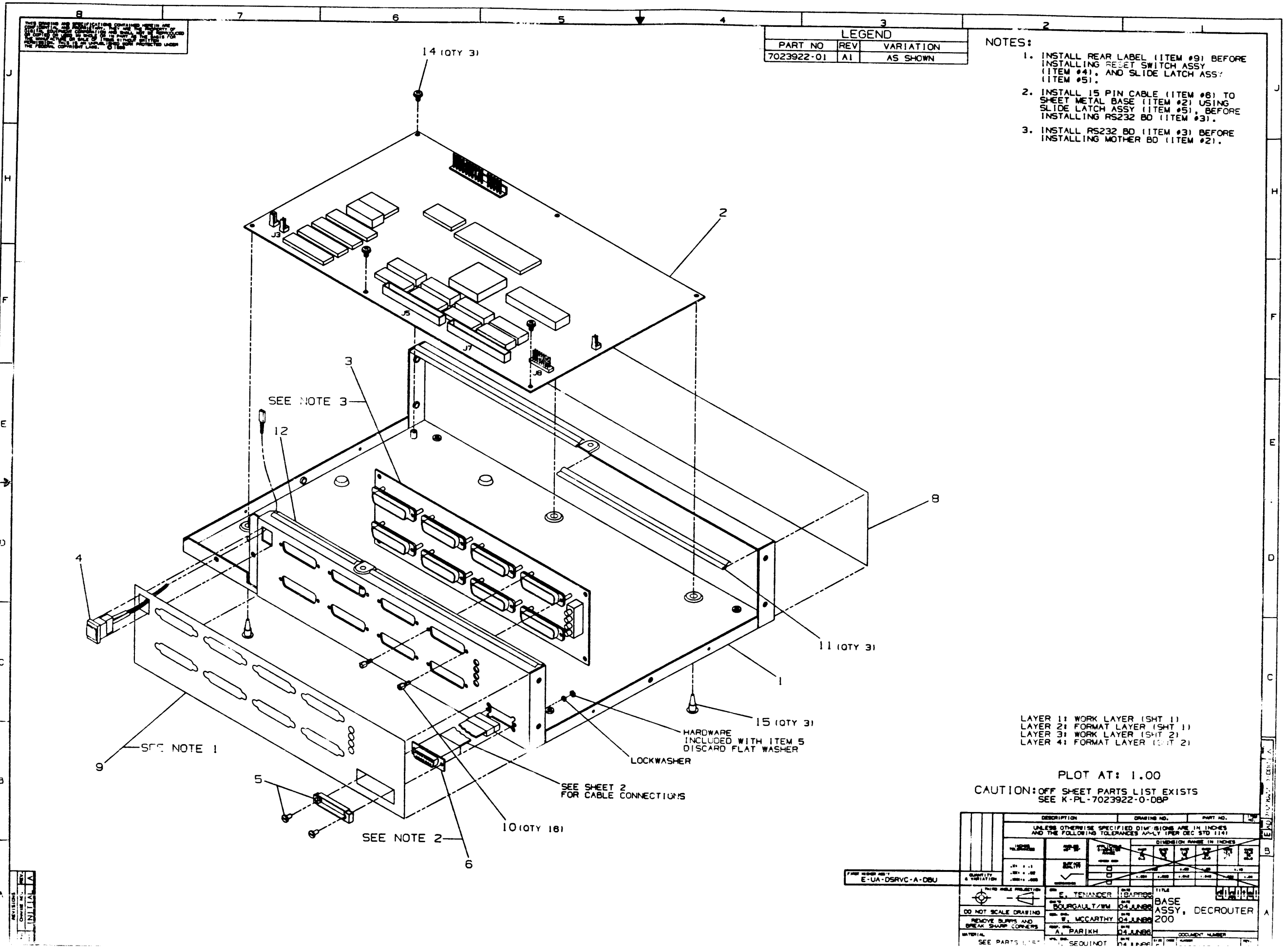
PARTS LIST

SHEET A1 OF A1  
QUANTITY PER VARIATION/REVISION

LINE	ITEM	TOP DOCUMENT	PART NUMBER	MIN REV	DESCRIPTION	QTY
1	1	E-IA-7432929-0-DBU	74-32929-01		COVER,DECSERVER 200	1
2	2	D-IA-7023165-0-DBU	70-23165-01		FAN, ASSY.	1
3	3	A-PS-3021383-0-0	30-21383-02		P.S. MULTIPLE OUTPUT	1
4	4	A-PS-1215905-0-0	12-15905-01		FILTER,LINE EMI/RFI 115/250V 50-60	1
5	5	A-PS-1219912-0-0	12-19912-07		CKT,BKR 2.0A 250V 1P MAG	1
6	6	A-PS-1216901-0-0	12-16901-04		SW,SLIDE 2PDT VOLTAGE SELECT 6A25	1
7	7	A-PS-1701392-0-0	17-01392-01		WIRE HARN ASSY 15COND 19PCON	1
8	8	A-PS-3612680-0-0	36-12680-02		LABEL,GROUND SYMBOL W/CIRCLE BLACK	1
9	9		90-06565-00		NUT,HEX EXT TOOTH LCKWSHR 10-32X	2
10	10		90-06664-00		WASHER,FLAT SST	2
11	11	A-PS-1701310-0-0	17-01310-01		WIRE HARN ASSY 18COND	1
12	12		90-10174-00		SCREW,SEMS PAN PHIL 6-32	3
13	13		90-06011-01		SCREW,MACH PAN PHIL 4-40	2
14	14		90-00039-19		SCREW,MACH FLAT PHIL 4-40	2
15	15		90-06557-00		NUT,HEX EXT TOOTH LCKWSHR 4-40X	4
16	16		90-10174-03		SCREW,SEMS PAN PHIL 6-32	4
17	17		36-25984-01		LABEL,REAR COMMON BOX POWER SUPPLY	1
18	18		90-08264-00		MOUNT, CABLE TIE, ADHESIVE BACKED,	2
19	19		90-07031-00		TIE,CABLE BUNDL.DIA 0- 3/4"=101	2
20	20	A-PS-3612680-0-0	36-12680-00		LABEL,GROUND SYMBOL BLACK	1

REVISION HISTORY		KPL MATRIX FORMAT		SECTION A OF A		DRN: E.TENANDER		DIGITAL	
ENG	ECO NUMBER	REV	SECTION/VARIATION INDEX	DATE	CHK'D	TITLE	PARTS LIST	DOCUMENT NUMBER	REV
---	INITIAL	A	(A) 01	11-FEB-86	BOURGAULT/WM	COVER ASSY			
			(B)	04-JUN-86	W. MCCARTHY				
			(C)	04-JUN-86	A. PARIKH				
			(D)		J. SEQUINOT				
			(E)						
			(F)						
			(H)						
			(J)						
BASIC PART NUMBER:		ASSEMBLY NUMBER:		TOP DOCUMENT NUMBER:		FILE NAME:		EDIT #	
7023163		E-AD-7023163-0-DBU		E-AD-7023163-0-DBU		7023163A.PLS		27	

"THIS DRAWING AND THE SPECIFICATIONS CONTAINED HEREIN ARE CONFIDENTIAL AND PROPRIETARY. THEY ARE THE PROPERTY OF DIGITAL EQUIPMENT CORPORATION AND SHALL NOT BE REPRODUCED OR COPIED OR USED IN WHOLE OR IN PART AS THE BASIS FOR THE MANUFACTURE OR SALE OF ITEMS WITHOUT WRITTEN PERMISSION. THIS IS AN UNPUBLISHED WORK PROTECTED UNDER THE FEDERAL COPYRIGHT LAWS."



LEGEND		
PART NO	REV	VARIATION
7023922-01	A1	AS SHOWN

- NOTES:
1. INSTALL REAR LABEL (ITEM #9) BEFORE INSTALLING RESET SWITCH ASSY (ITEM #4), AND SLIDE LATCH ASSY (ITEM #5).
  2. INSTALL 15 PIN CABLE (ITEM #6) TO SHEET METAL BASE (ITEM #2) USING SLIDE LATCH ASSY (ITEM #5), BEFORE INSTALLING RS232 BO (ITEM #3).
  3. INSTALL RS232 BO (ITEM #3) BEFORE INSTALLING MOTHER BO (ITEM #2).

LAYER 1: WORK LAYER (SHT 1)  
 LAYER 2: FORMAT LAYER (SHT 1)  
 LAYER 3: WORK LAYER (SHT 2)  
 LAYER 4: FORMAT LAYER (SHT 2)

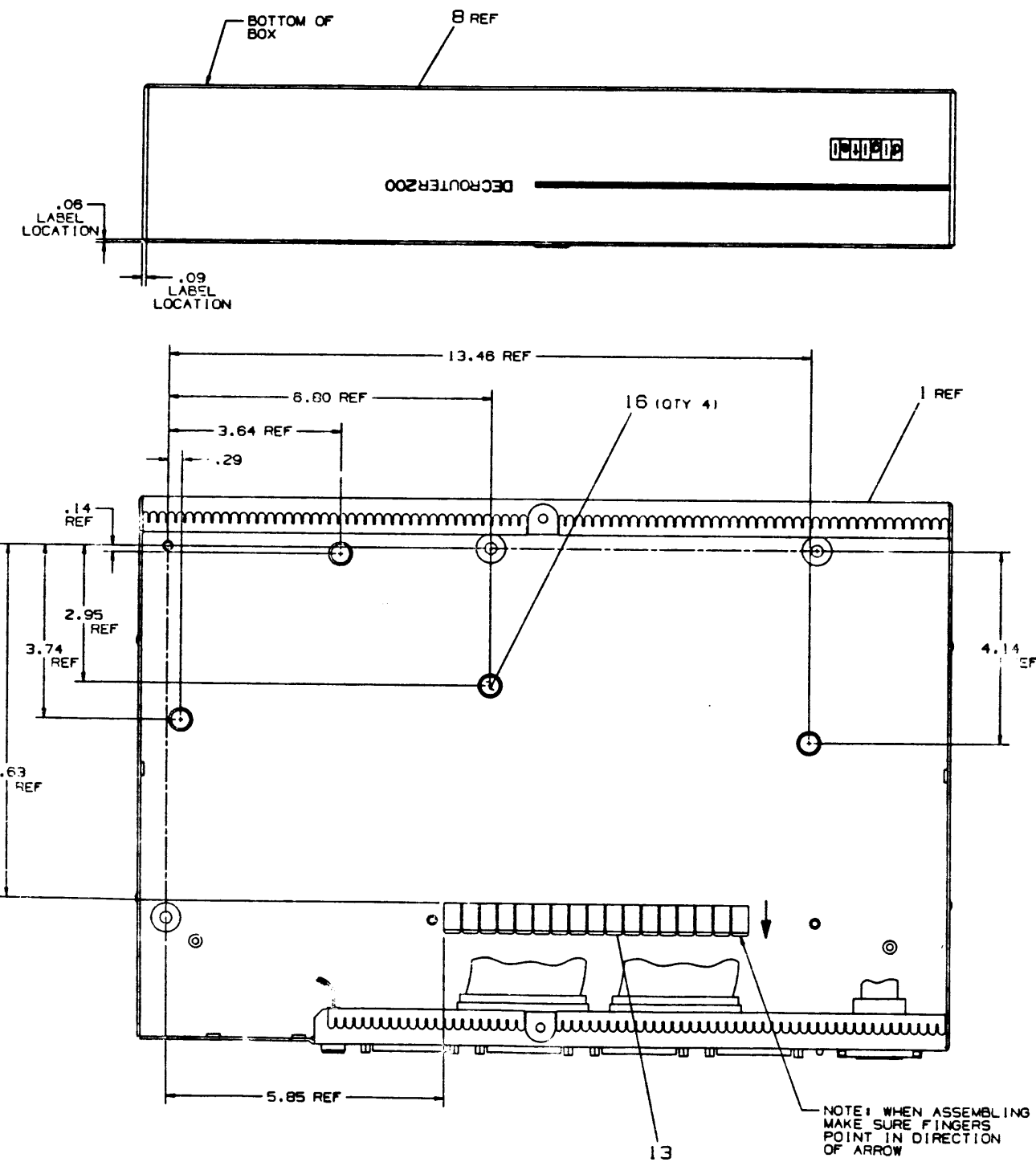
PLOT AT: 1.00  
 CAUTION: OFF SHEET PARTS LIST EXISTS  
 SEE K-PL-7023922-0-DBP

DESCRIPTION	DRAWING NO.	PART NO.	REV.																								
UNLESS OTHERWISE SPECIFIED DIMENSIONS ARE IN INCHES AND THE FOLLOWING TOLERANCES APPLY (PER DEC STD 114)																											
DIMENSION RANGE IN INCHES																											
0.000 - 0.250	0.250 - 0.500	0.500 - 1.000	1.000 - 2.000																								
±0.005	±0.005	±0.005	±0.005																								
0.250 - 0.500	0.500 - 1.000	1.000 - 2.000	2.000 - 4.000																								
±0.005	±0.005	±0.005	±0.005																								
<table border="1"> <tr> <td>DATE</td> <td>BY</td> <td>CHKD</td> <td>APP'D</td> </tr> <tr> <td>04 JUN 86</td> <td>E. TENANOR</td> <td></td> <td></td> </tr> <tr> <td>04 JUN 86</td> <td>BOURGALTY/WM</td> <td></td> <td></td> </tr> <tr> <td>04 JUN 86</td> <td>J. MCCARTHY</td> <td></td> <td></td> </tr> <tr> <td>04 JUN 86</td> <td>A. PARIKH</td> <td></td> <td></td> </tr> <tr> <td>04 JUN 86</td> <td>SEQUINOT</td> <td></td> <td></td> </tr> </table>				DATE	BY	CHKD	APP'D	04 JUN 86	E. TENANOR			04 JUN 86	BOURGALTY/WM			04 JUN 86	J. MCCARTHY			04 JUN 86	A. PARIKH			04 JUN 86	SEQUINOT		
DATE	BY	CHKD	APP'D																								
04 JUN 86	E. TENANOR																										
04 JUN 86	BOURGALTY/WM																										
04 JUN 86	J. MCCARTHY																										
04 JUN 86	A. PARIKH																										
04 JUN 86	SEQUINOT																										
TITLE BASE ASSY, DECROUNTER 200		DOCUMENT NUMBER																									
PART NUMBER: E-UA-DSRYC-A-DBU																											

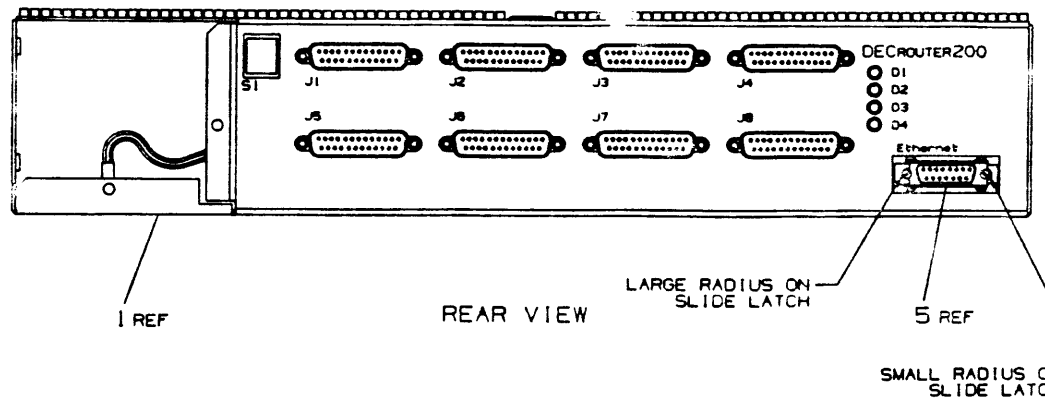
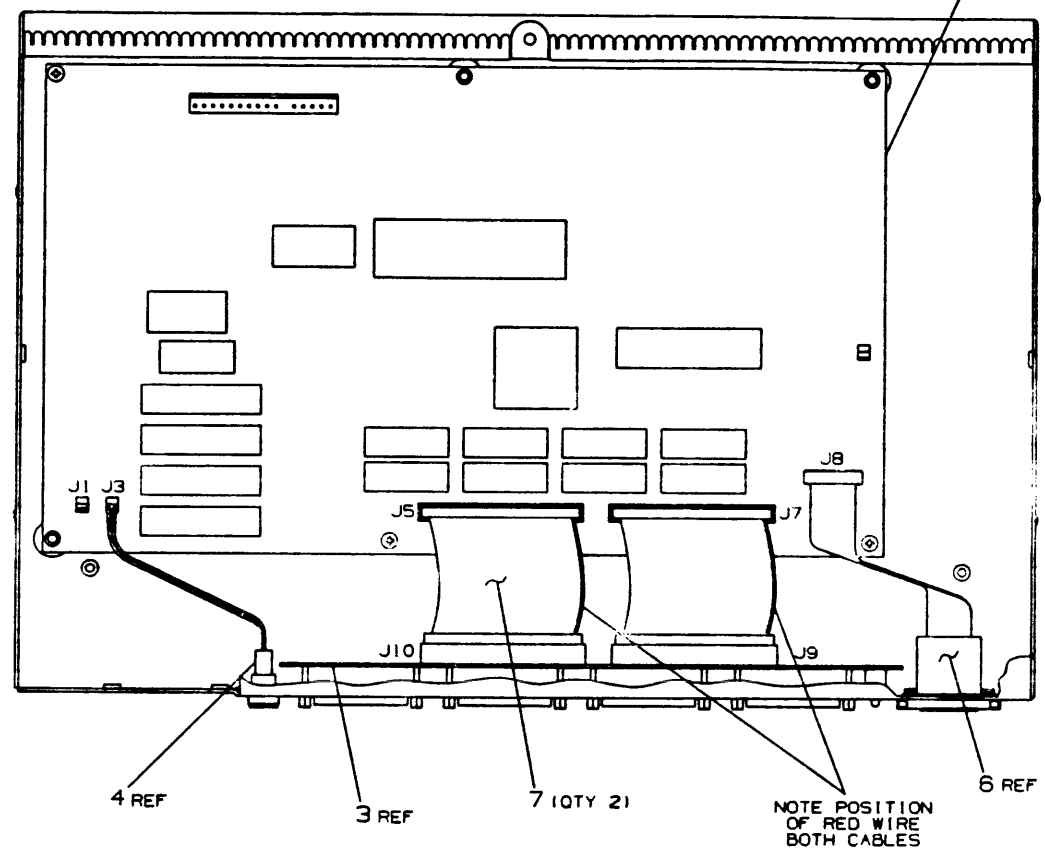
REVISIONS  
 CHANGE NO. REV. DATE  
 1 1 11/11/85

REVISION HISTORY  
 DATE REV

WIRING INTERCONNECT CHART		
ITEM	FROM	TO
4 (S1) RESET SWITCH	REAR PANEL (ITEM 1)	J3 ETHERNET COMM SERVER BD (ITEM 2)
7 CABLE ASSY 50 COND.	RS 232 J10 INTERFACE BD (ITEM 3)	J5 ETHERNET COMM SERVER BD (ITEM 2)
	RS 232 J9 INTERFACE BD (ITEM 3)	J7 ETHERNET COMM SERVER BD (ITEM 2)
6 CABLE ASSY 15 COND.	REAR PANEL (ITEM 1)	J8 ETHERNET COMM SERVER BD (ITEM 2)



TOP VIEW WITH ITEM 2 REMOVED



REAR VIEW

PLOT AT: 1.00

DATE	REV	DESCRIPTION

DOCUMENT NUMBER  
 100-702-202-0-001-A

AUTOMATED BY VAXKPL (V1.1)

PARTS LIST

SHEET A1 OF A1

LINE	ITEM	TOP DOCUMENT	PART NUMBER	MIN REV	DESCRIPTION	QTY
1	1	E-IA-7432930-0-DBU	74-32930-01		BASE,DECSERVER 200	1
2	2		54-18034-03		DECSERVER MAIN BOARD	1
3	3		54-18027-01		RS232 INTERFACE BD W/ESD PROTECTIO	1
4	4	A-PS-1701393-0-0	17-01393-01		WIRE HARN ASSY 22AWG	1
5	5	A-PS-1218489-0-0	12-18489-02		LATCH ASSY,SLIDE .450 LG	1
6	6	A-PS-1700559-0-0	17-00559-01		CABLE ASSY,15COND,FLAT,28AWG,15PDS	1
7	7	A-PS-1701338-0-0	17-01338-01		CABLE ASSY,50COND,FLAT,50(2X25)REC	2
8	8	A-PS-3626084-0-0	36-26084-03		LABEL,FRONT DEC ROUTER 200	1
9	9	A-PS-3625984-0-0	36-25984-04		LABEL,REAR,DEC ROUTER 200	1
10	10		90-08451-05		SCREW LOCK,STANDOFF ONLY .060THK	16
11	11	A-PS-1226160-0-0	12-26160-04		SHIELD,EMI/RFI,COPPER FINGERS 8.00	3
12	12	A-PS-1226160-0-0	12-26160-01		SHIELD,EMI/RFI,COPPER FINGERS 4.12	1
13	13	A-PS-1226489-01	12-26489-01		SHIELD,EMI/RFI AD	1
14	14		90-10174-00		SCREW,SEMS PAN PHIL 6-32	3
15	15	A-PS-1223075-0-0	12-23075-03		STANDOFF PC BOARD NYLON	3
16	16		90-08538-00		BUMPER, ADH BACK RUBBER	4

REVISION HISTORY		KPL MATRIX FORMAT		SECTION A OF A		DRN: E. TENANDER	
ENG:	ECO NUMBER	REV	SECTION/VARIATION INDEX	DATE:	18-APR-86	D I G I T A L	
---	INITIAL	A	[A] 01	CHK'D:	BOURGALT/WM	TITLE PARTS LIST	
			[B]	DATE:	04-JUN-86	BASE ASSY, DECROUTER 200	
			[C]	DES.ENG:	W. MCCARTHY	DOCUMENT NUMBER	
			[D]	DATE:	04-JUN-86	SIZE	CODE
			[E]	RESP.ENG.:	A. PARIKH	NUMBER	REV
			[F]	DATE:	04-JUN-86	K	PL
			[H]	MFG.ENG:	J. SEQUINOT	7023922-0-DBP	
			[J]	DATE:	04-JUN-86	RELEASE DATE: 05-JUN-86	
						RELEASE STATUS: RELEASED	
BASIC PART NUMBER:		ASSEMBLY NUMBER:		TOP DOCUMENT NUMBER:		FILE NAME:	
7023922		E-AD-7023922-0-DBU		E-AD-7023922-0-DBU		7023922A.PLS	
						EDIT #	30

"THIS DRAWING AND THE SPECIFICATIONS CONTAINED HEREIN ARE CONFIDENTIAL AND PROPRIETARY. THEY ARE THE PROPERTY OF DIGITAL EQUIPMENT CORPORATION AND SHALL NOT BE REPRODUCED OR COPIED OR USED IN WHOLE OR IN PART AS THE BASIS FOR THE MANUFACTURE OR SALE OF ITEMS WITHOUT WRITTEN PERMISSION. THIS IS AN UNPUBLISHED WORK PROTECTED UNDER THE FEDERAL COPYRIGHT LAWS."

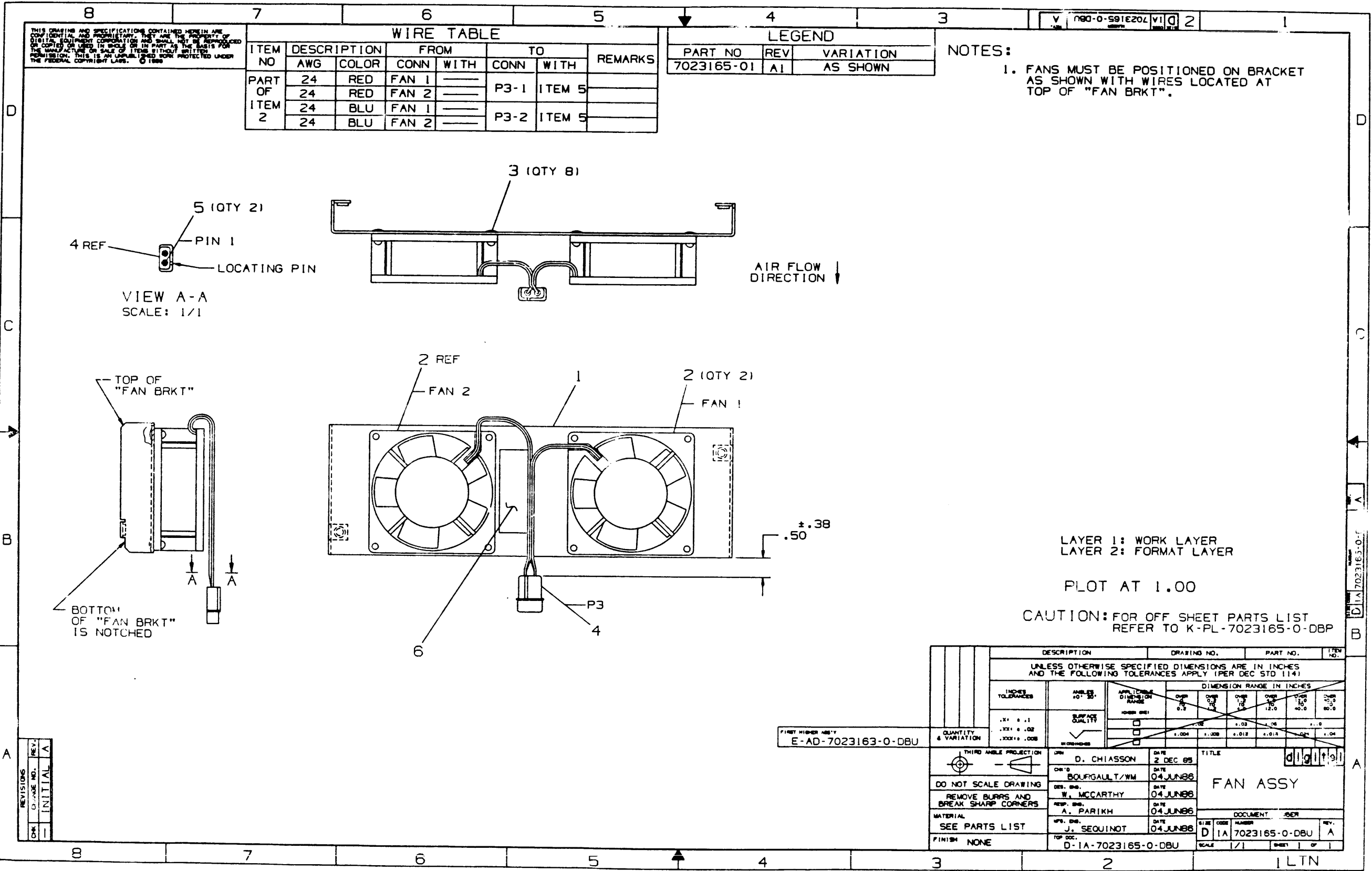
THIS DRAWING AND SPECIFICATIONS CONTAINED HEREIN ARE CONFIDENTIAL AND PROPRIETARY. THEY ARE THE PROPERTY OF DIGITAL EQUIPMENT CORPORATION AND SHALL NOT BE REPRODUCED OR COPIED OR USED IN WHOLE OR IN PART AS THE BASIS FOR THE MANUFACTURE OR SALE OF ITEMS WITHOUT WRITTEN PERMISSION. THIS IS AN UNCLASSIFIED WORK PROTECTED UNDER THE FEDERAL COPYRIGHT LAWS. © 1988

WIRE TABLE							
ITEM NO	DESCRIPTION		FROM		TO		REMARKS
	AWG	COLOR	CONN	WITH	CONN	WITH	
PART OF ITEM 2	24	RED	FAN 1	---	P3-1	ITEM 5	
	24	RED	FAN 2	---	P3-1	ITEM 5	
	24	BLU	FAN 1	---	P3-2	ITEM 5	
	24	BLU	FAN 2	---	P3-2	ITEM 5	

LEGEND		
PART NO	REV	VARIATION
7023165-01	A1	AS SHOWN

NOTES:

- FANS MUST BE POSITIONED ON BRACKET AS SHOWN WITH WIRES LOCATED AT TOP OF "FAN BRKT".



LAYER 1: WORK LAYER  
LAYER 2: FORMAT LAYER

PLOT AT 1.00

CAUTION: FOR OFF SHEET PARTS LIST REFER TO K-PL-7023165-0-DBP

DESCRIPTION	DRAWING NO.	PART NO.	ITEM NO.
UNLESS OTHERWISE SPECIFIED DIMENSIONS ARE IN INCHES AND THE FOLLOWING TOLERANCES APPLY (PER DEC STD 114)			
INCHES TOLERANCES	DIMENSION RANGE IN INCHES		
.XX ± .01	0.00 - 1.00	1.00 - 2.00	2.00 - 4.00
.XX ± .02	1.00 - 2.00	2.00 - 4.00	4.00 - 12.00
.XXX ± .008	1.00 - 2.00	2.00 - 4.00	4.00 - 12.00
	1.00 - 2.00	2.00 - 4.00	4.00 - 12.00
	1.00 - 2.00	2.00 - 4.00	4.00 - 12.00
THIRD ANGLE PROJECTION	DES. D. CHIASSON	DATE 2 DEC 89	TITLE digital
DO NOT SCALE DRAWING	DES. D. BOURGAULT/WM	DATE 04 JUN 88	FAN ASSY
REMOVE BURRS AND BREAK SHARP CORNERS	DES. W. MCCARTHY	DATE 04 JUN 88	
MATERIAL	DES. A. PARIKH	DATE 04 JUN 88	
SEE PARTS LIST	DES. J. SEQUINOT	DATE 04 JUN 88	
FINISH NONE	TOP DOC. D-1A-7023165-0-DBU	SCALE 1/1	SHEET 1 OF 1

REVISIONS	DATE	NO.	REV.	INITIAL
---	---	---	---	---

ILTN

AUTOMATED BY VAXKPL (V1.1)

PARTS LIST

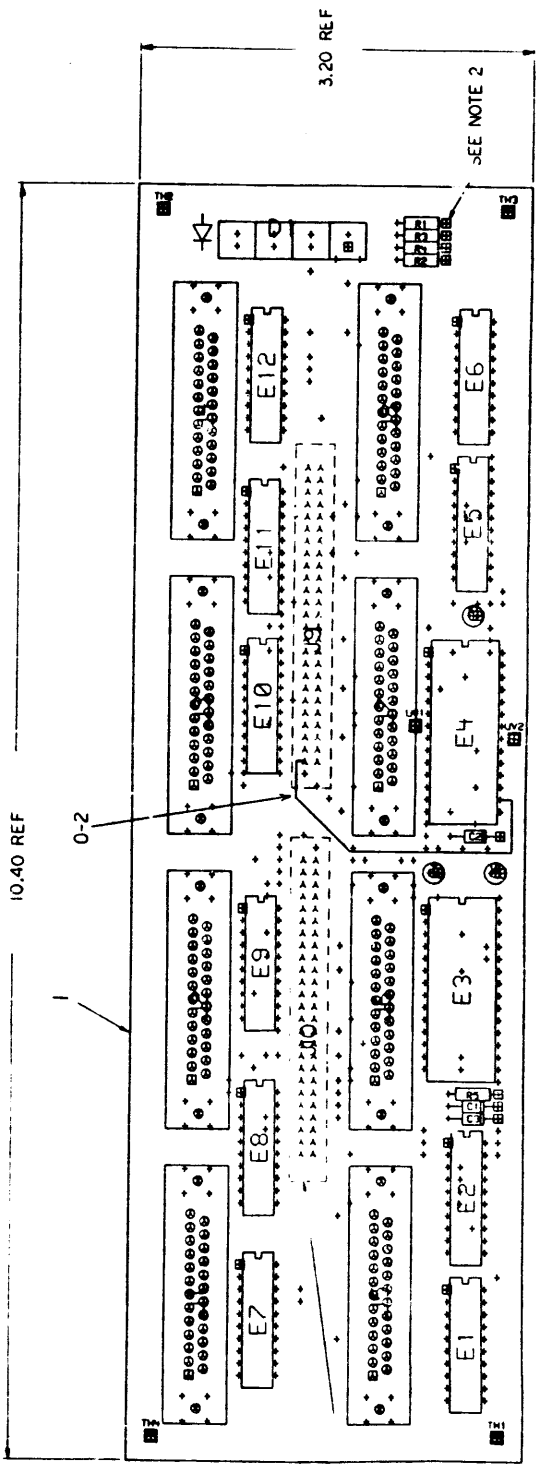
SHEET A1 OF A1

LINE	ITEM	TOP DOCUMENT	PART NUMBER	MIN REV	DESCRIPTION	01 A1	QUANTITY PER VARIATION/REVISION
1	1	D-IA-7432931-0-DBU	74-32931-01		BRACKET,FAN		1
2	2	A-PS-1221125-0-0	12-21125-01		FAN,TUBE AXIAL 3.125" 12VDC		2
3	3		90-00030-37		RIVET,LOBREAK 5/32DX		8
4	4	A-PS-1210822-0-0	12-10822-02		MATE-N-LOK 02PIN(1X02) HSG		1
5	5	A-PS-1209378-0-0	12-09378-08		MATE-N-LOK 01PIN 22-18AWG .0850D		2
6	6		90-09255-03		LABEL,P.S./SUB.ASSY ID		1

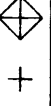
REVISION HISTORY		KPL MATRIX FORMAT		SECTION A OF A	DRN: D. CHIASSON	DIGITAL			
ENG	ECO NUMBER	REV	SECTION/VARIATION INDEX		DATE: 09-JAN-86	TITLE	PARTS LIST		
---	INITIAL	A	[A] 01 [B] [C] [D] [E] [F] [H] [J]		CHK'D: BOURGAULT/WM DATE: 04-JUN-86	FAN ASSY			
					DES.ENG: W. MCCARTHY DATE: 04-JUN-86	DOCUMENT NUMBER			
					RESP.ENG.: A. PARIKH DATE: 04-JUN-86	SIZE: K	CODE: PL	NUMBER: 7023165-0-DBP	REV: A
					MFG.ENG: J. SEQUINOT DATE: 04-JUN-86	RELEASE DATE: 05-JUN-86 RELEASE STATUS: RELEASED			
			BASIC PART NUMBER: 7023165	ASSEMBLY NUMBER: D-IA-7023165-0-DBU	TOP DOCUMENT NUMBER: D-IA-7023165-0-DBU	FILE NAME: 7023165A.PLS	EDIT #: 18		

"THIS DRAWING AND THE SPECIFICATIONS CONTAINED HEREIN ARE CONFIDENTIAL AND PROPRIETARY. THEY ARE THE PROPERTY OF DIGITAL EQUIPMENT CORPORATION AND SHALL NOT BE REPRODUCED OR COPIED OR USED IN WHOLE OR IN PART AS THE BASIS FOR THE MANUFACTURE OR SALE OF ITEMS WITHOUT WRITTEN PERMISSION. THIS IS AN UNPUBLISHED WORK PROTECTED UNDER THE FEDERAL COPYRIGHT LAWS."

ALL DIMENSIONS ARE IN MILLIMETERS UNLESS OTHERWISE SPECIFIED.  
 ALL DIMENSIONS ARE TO CENTER UNLESS OTHERWISE SPECIFIED.  
 ALL DIMENSIONS ARE TO CENTER UNLESS OTHERWISE SPECIFIED.  
 ALL DIMENSIONS ARE TO CENTER UNLESS OTHERWISE SPECIFIED.



541 NOTE 3



CHK	DRAWN BY	ENGINEER	CHANGE NO	DATE	REV

NOTES:  
 1. ALL DIMENSIONS ARE IN MILLIMETERS.  
 2. ALL DIMENSIONS ARE TO CENTER UNLESS OTHERWISE SPECIFIED.  
 3. ALL DIMENSIONS ARE TO CENTER UNLESS OTHERWISE SPECIFIED.

SIGNATURES	DATE	TITLE
DRN. [Signature]	1/1/74	DESIGNER
CHK. D. [Signature]	1/1/74	DESIGNER
MECH. ENG. [Signature]	1/1/74	DESIGNER
PROD. [Signature]	1/1/74	DESIGNER
SCALE: 1 OF 2		
NEXT MID-LEVEL REVIEW DATE: 1/1/74		

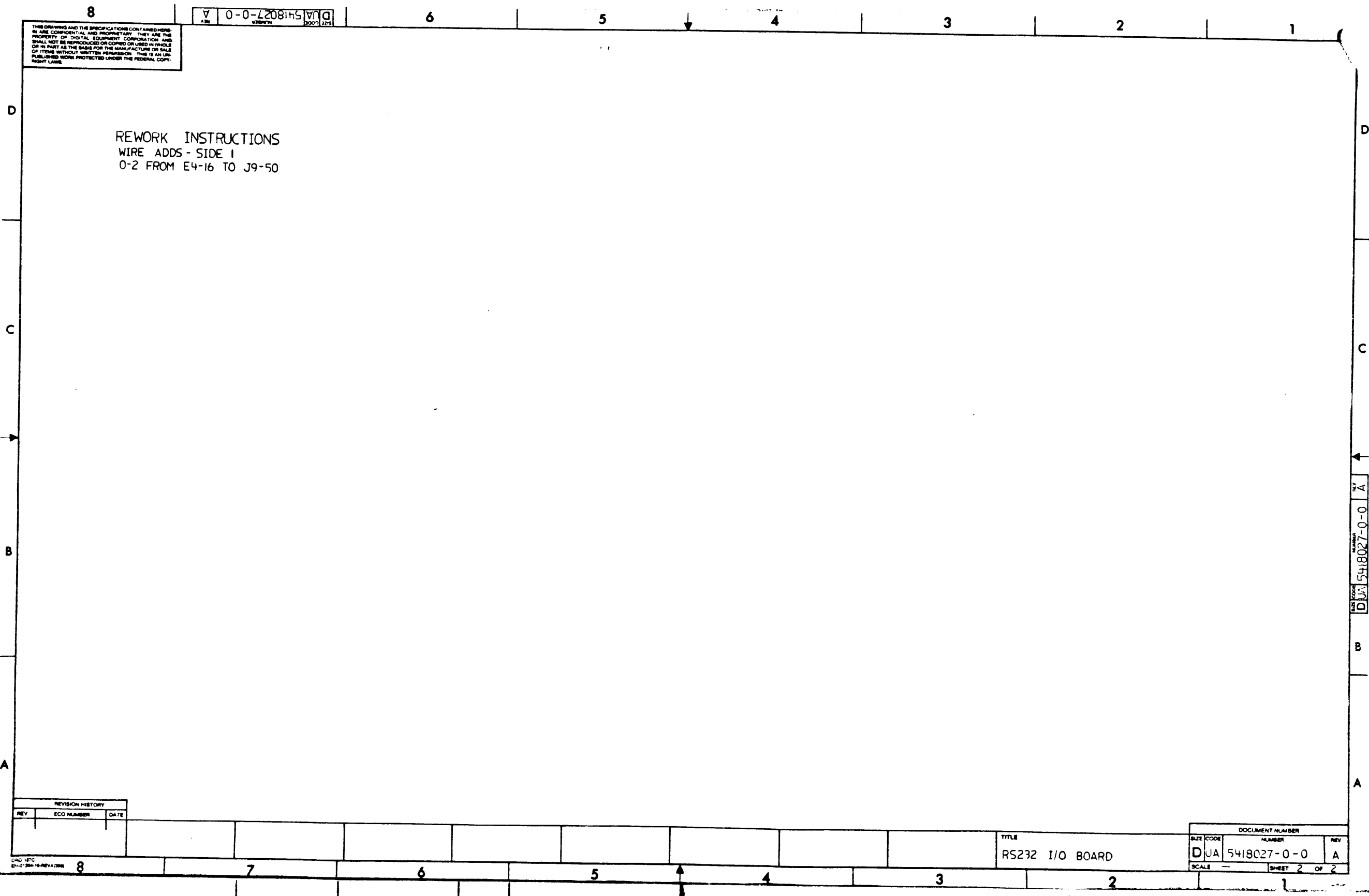
SIZE	CODE	NUMBER	REV
10.40	REF	3	1
3.20	REF	2	1
TITLE: digital			
PROJECT: NS23 I/O BOARD			
DRAWN BY: [Signature]			
DATE: 1/1/74			
SCALE: 1 OF 2			
NEXT MID-LEVEL REVIEW DATE: 1/1/74			



THIS DRAWING AND THE SPECIFICATIONS CONTAINED HEREIN ARE CONFIDENTIAL AND PROPRIETARY. THEY ARE THE PROPERTY OF DIGITAL EQUIPMENT CORPORATION AND SHALL NOT BE REPRODUCED OR COPIED OR USED IN WHOLE OR IN PART AS THE BASIS FOR THE MANUFACTURE OR SALE OF ITEMS WITHOUT WRITTEN PERMISSION. THIS IS AN UNPUBLISHED WORK PROTECTED UNDER THE FEDERAL COPYRIGHT LAWS.

REV A 0-0-20815 DUA 5418027-0-0

REWORK INSTRUCTIONS  
 WIRE ADDS - SIDE 1  
 0-2 FROM E4-16 TO J9-50



REVISION HISTORY		
REV	ECO NUMBER	DATE

TITLE  
 RS232 I/O BOARD

DOCUMENT NUMBER		
SIZE CODE	NUMBER	REV
DUA	5418027-0-0	A
SCALE	SHEET 2 OF 2	

DWG LITC  
 8

8

7

6

5

4

3

2

1

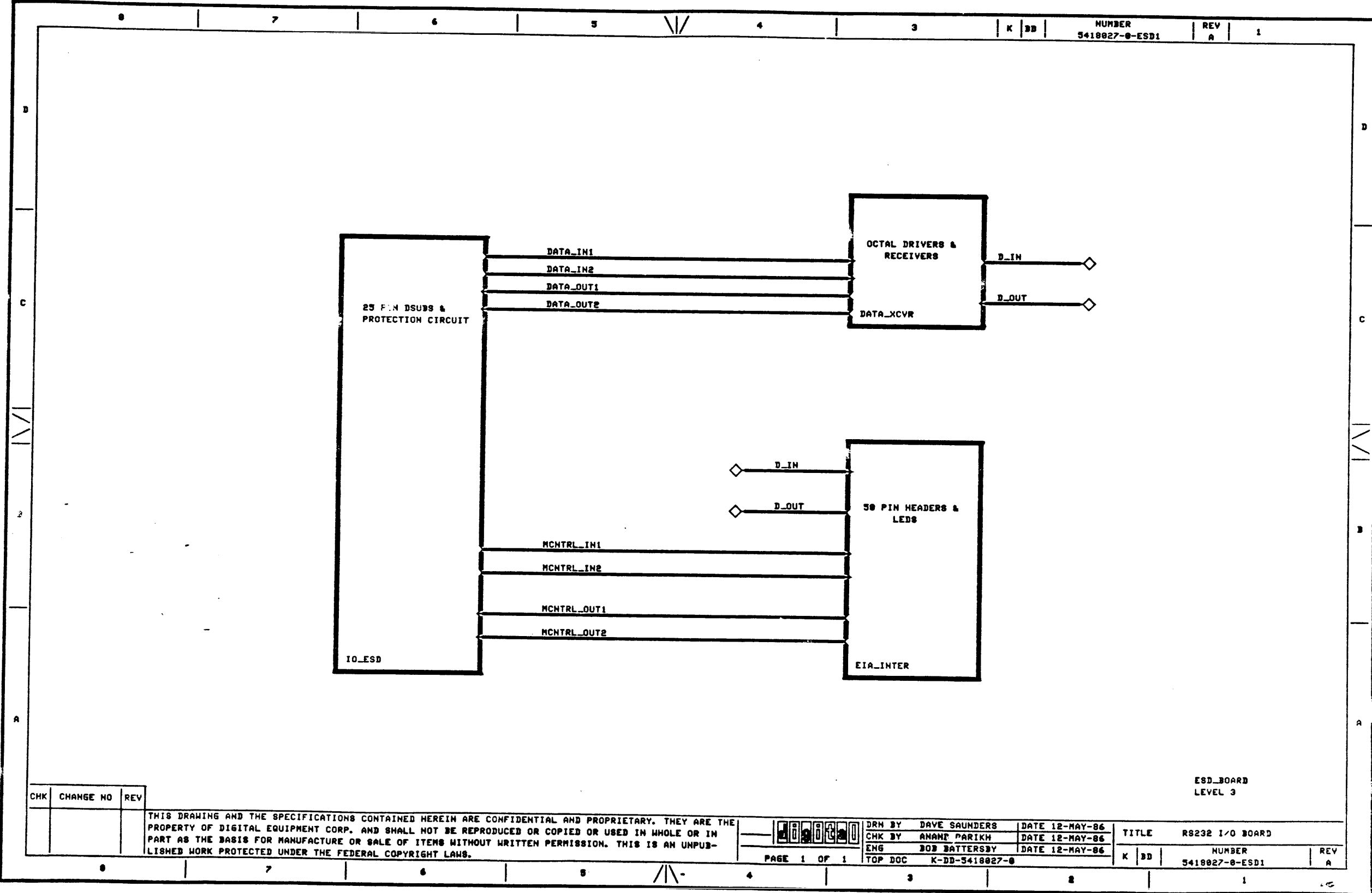
D

C

REV A 0-0-20815 DUA 5418027-0-0

B

A



NUMBER 5418927-0-ESD1 REV A 1

ESD\_BOARD  
LEVEL 3

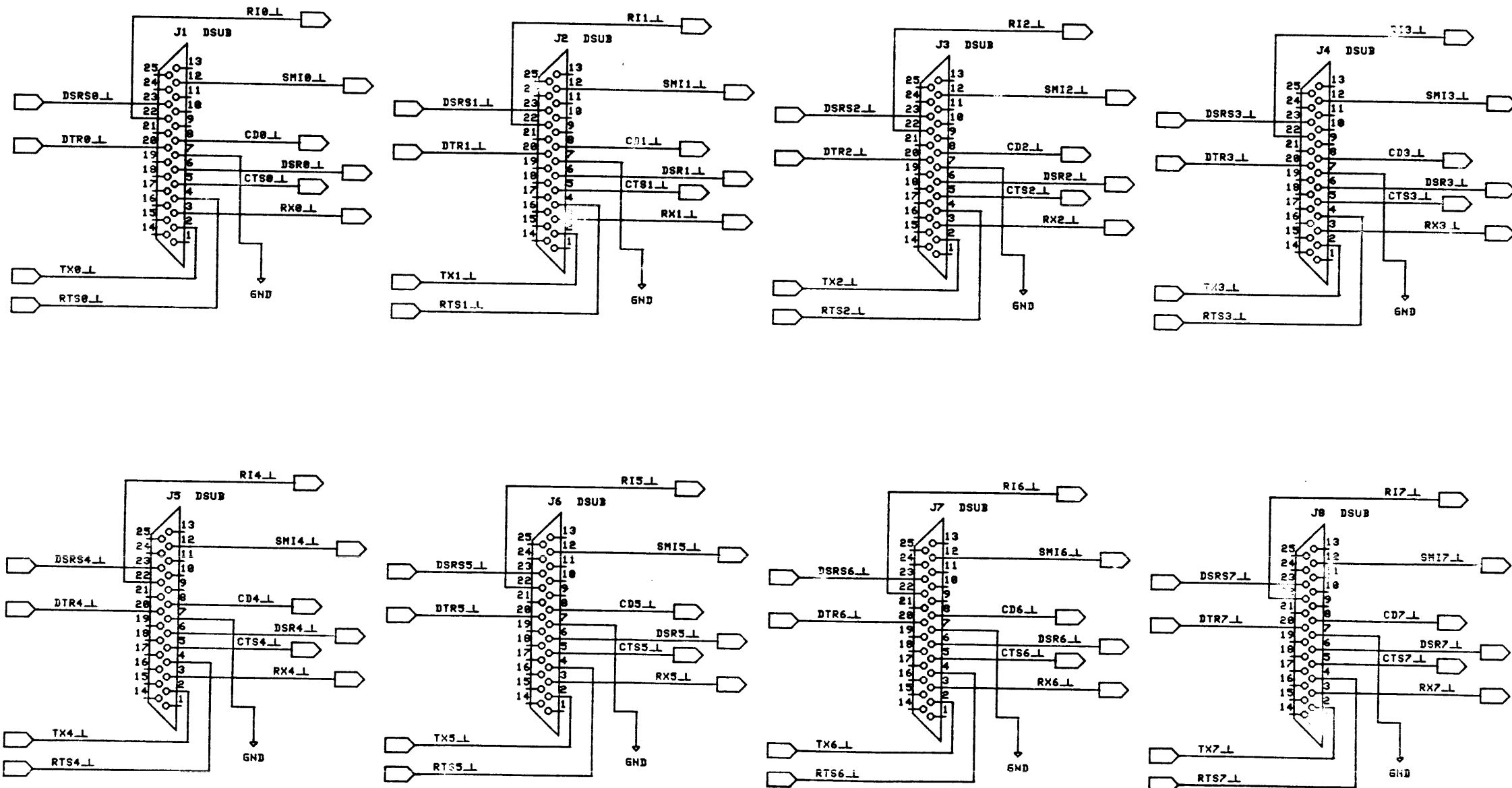
CHK	CHANGE NO	REV

THIS DRAWING AND THE SPECIFICATIONS CONTAINED HEREIN ARE CONFIDENTIAL AND PROPRIETARY. THEY ARE THE PROPERTY OF DIGITAL EQUIPMENT CORP. AND SHALL NOT BE REPRODUCED OR COPIED OR USED IN WHOLE OR IN PART AS THE BASIS FOR MANUFACTURE OR SALE OF ITEMS WITHOUT WRITTEN PERMISSION. THIS IS AN UNPUBLISHED WORK PROTECTED UNDER THE FEDERAL COPYRIGHT LAWS.

DRN BY DAVE SAUNDERS	DATE 12-MAY-86	TITLE R8232 I/O BOARD
CHK BY ANANT PARIKH	DATE 12-MAY-86	NUMBER 5418927-0-ESD1
ENG BOB BATTERSBY	DATE 12-MAY-86	REV A
TOP DOC K-DD-5418927-0		

PAGE 1 OF 1

21 MAY 86 1415 70 47PROTEUS 7 KING/DESIGNER/TECH/ESD\_BOARD.T:DRAM



CHK	CHANGE NO	REV

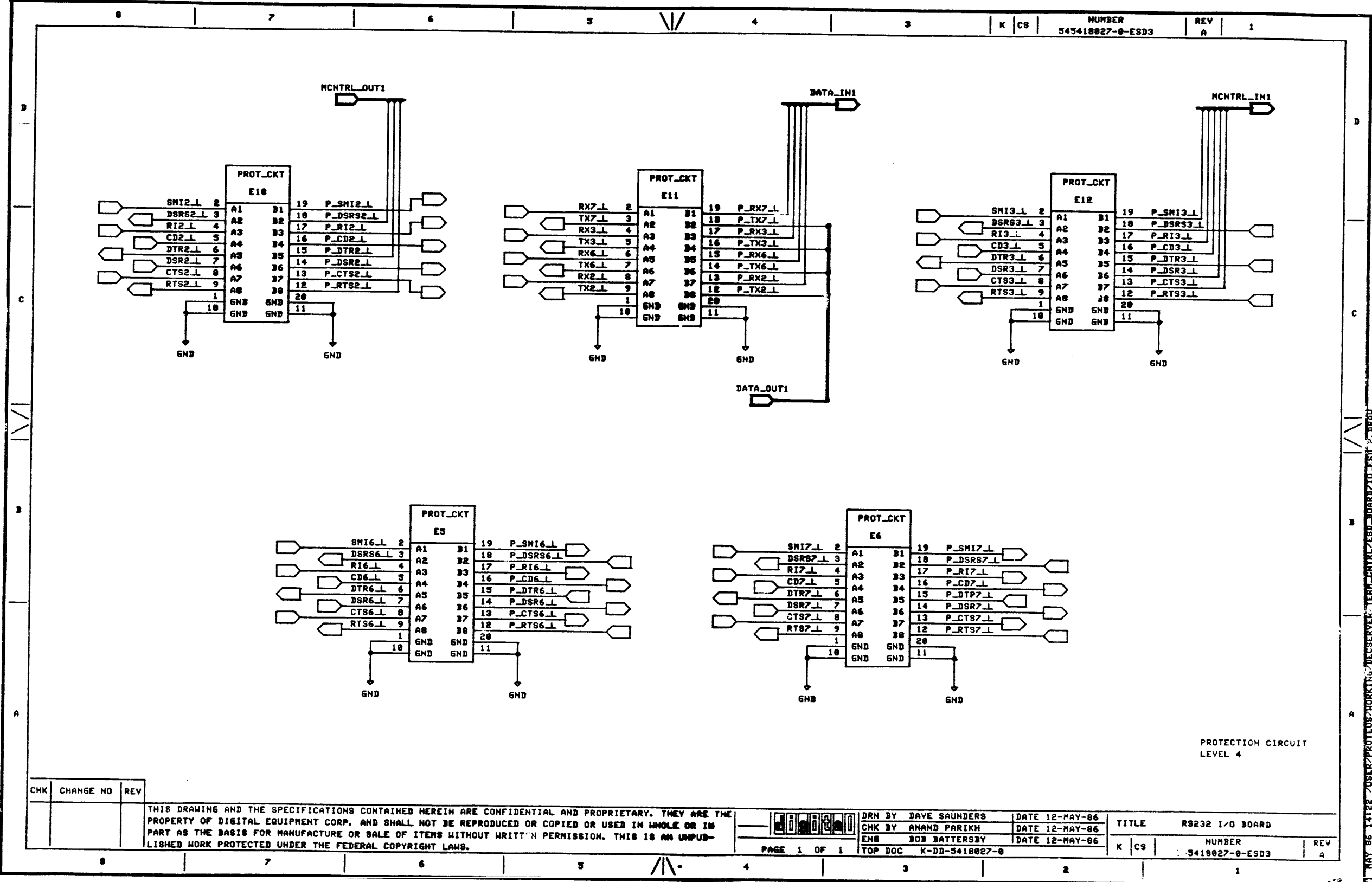
THIS DRAWING AND THE SPECIFICATIONS CONTAINED HEREIN ARE CONFIDENTIAL AND PROPRIETARY. THEY ARE THE PROPERTY OF DIGITAL EQUIPMENT CORP. AND SHALL NOT BE REPRODUCED OR COPIED OR USED IN WHOLE OR IN PART AS THE BASIS FOR MANUFACTURE OR SALE OF ITEMS WITHOUT WRITTEN PERMISSION. THIS IS AN UNPUBLISHED WORK PROTECTED UNDER THE FEDERAL COPYRIGHT LAWS.

PAGE 1 OF 1

DRN BY DAVE SAUNDERS DATE 12-MAY-86  
 CHK BY ANAND PARIKH DATE 12-MAY-86  
 ENG BOB BATTERSBY DATE 12-MAY-86  
 TOP DOC K-DD-5418027-0

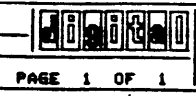
EIA INTERFACE LEVEL 4  
 TITLE RS232 I/O BOARD  
 NUMBER 5418027-0-ESD2  
 REV A

21 MAY 86 1411B 70SER/PROTEUS/WORKING71 CS:KVER/TECH/ESD/DIRR/10/ESD 1.0/AN



CHK	CHANGE NO	REV

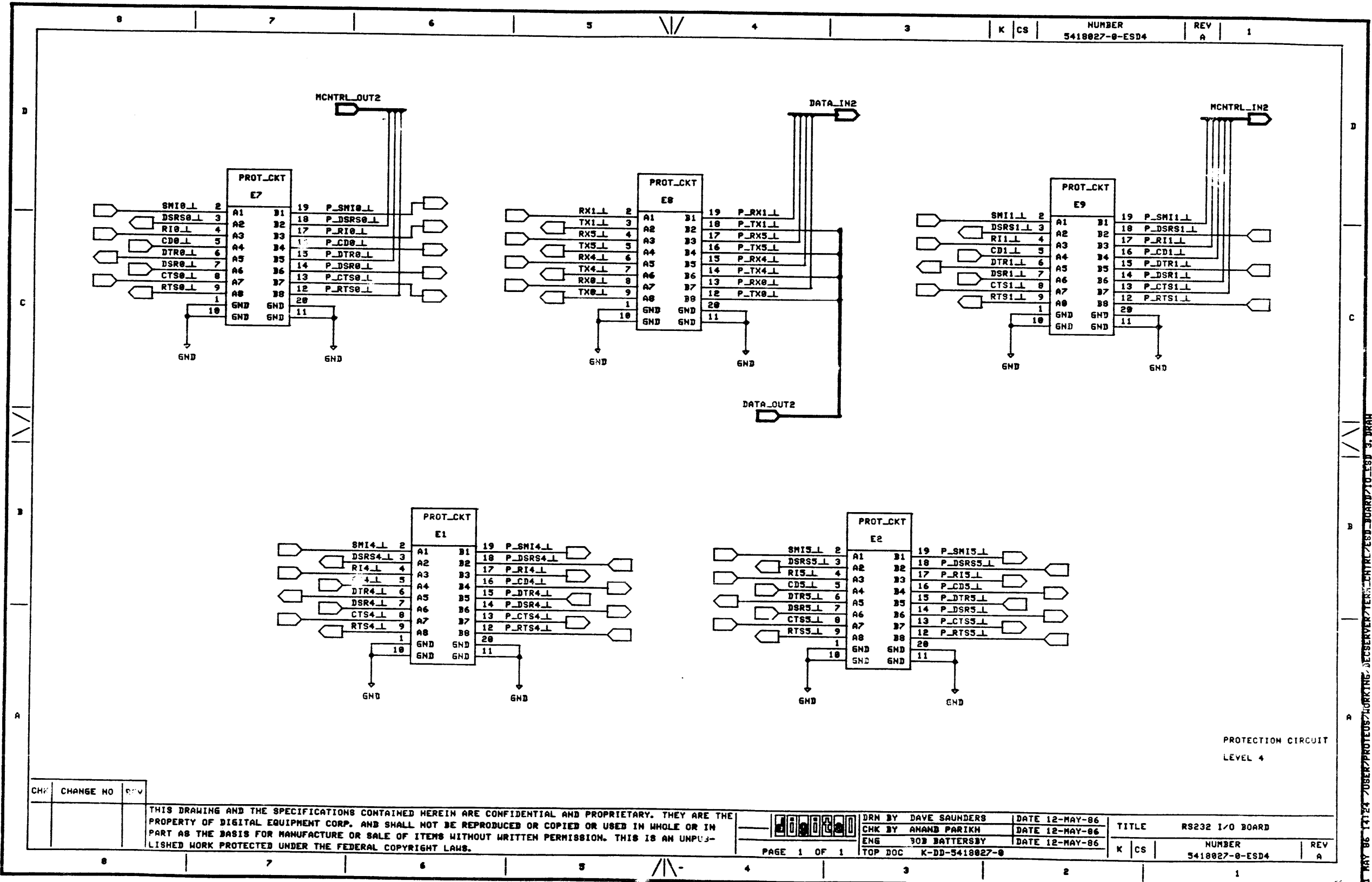
THIS DRAWING AND THE SPECIFICATIONS CONTAINED HEREIN ARE CONFIDENTIAL AND PROPRIETARY. THEY ARE THE PROPERTY OF DIGITAL EQUIPMENT CORP. AND SHALL NOT BE REPRODUCED OR COPIED OR USED IN WHOLE OR IN PART AS THE BASIS FOR MANUFACTURE OR SALE OF ITEMS WITHOUT WRITTEN PERMISSION. THIS IS AN UNPUBLISHED WORK PROTECTED UNDER THE FEDERAL COPYRIGHT LAWS.



DRN BY DAVE SAUNDERS DATE 12-MAY-86  
 CHK BY ANAND PARIKH DATE 12-MAY-86  
 ENG BOB BATTERSBY DATE 12-MAY-86  
 TOP DOC K-DD-5418027-0

TITLE RS232 I/O BOARD  
 NUMBER 5418027-0-ESD3  
 REV A

21 MAY 86 14:22 USER:PROTEUS/WORKING/DECSERVER:TERM/CONTROL/ESD\_BOARD710\_ESD\_2.DRAW



PROTECTION CIRCUIT  
LEVEL 4

CHK	CHANGE NO	REV

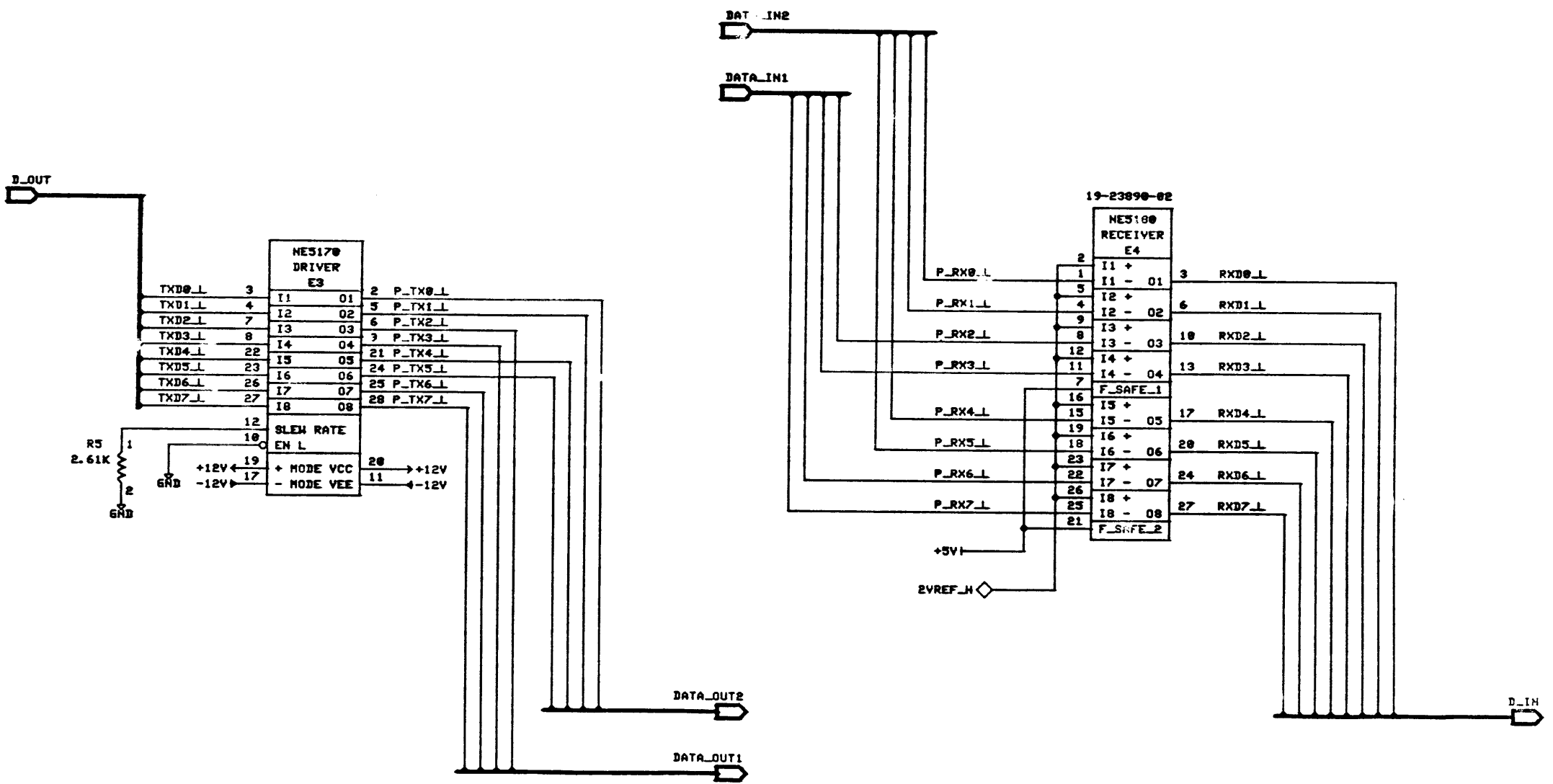
THIS DRAWING AND THE SPECIFICATIONS CONTAINED HEREIN ARE CONFIDENTIAL AND PROPRIETARY. THEY ARE THE PROPERTY OF DIGITAL EQUIPMENT CORP. AND SHALL NOT BE REPRODUCED OR COPIED OR USED IN WHOLE OR IN PART AS THE BASIS FOR MANUFACTURE OR SALE OF ITEMS WITHOUT WRITTEN PERMISSION. THIS IS AN UNPUBLISHED WORK PROTECTED UNDER THE FEDERAL COPYRIGHT LAWS.

PAGE 1 OF 1

DRN BY DAVE SAUNDERS DATE 12-MAY-86  
 CHK BY ANAND PARIKH DATE 12-MAY-86  
 ENG 303 BATTERSBY DATE 12-MAY-86  
 TOP DOC K-DD-5418927-0

TITLE RS232 I/O BOARD  
 NUMBER 5418927-0-ESD4  
 REV A

21 MAY 86 14:24 70SER2PROTEUS40KLINE.0ESD4REV7E8D-0008P10ESD-3.DRAW



CHK	CHANGE NO	REV

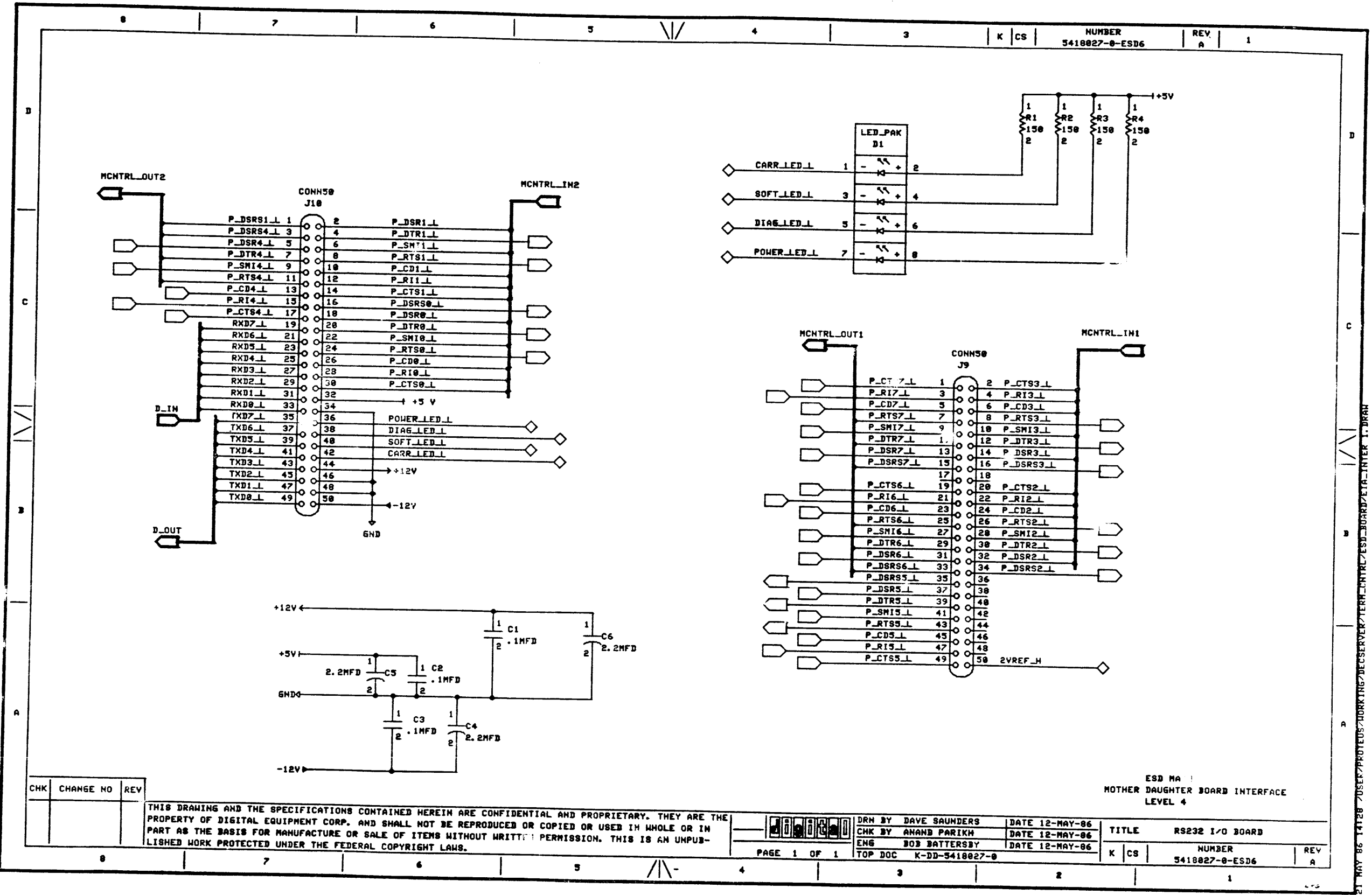
THIS DRAWING AND THE SPECIFICATIONS CONTAINED HEREIN ARE CONFIDENTIAL AND PROPRIETARY. THEY ARE THE PROPERTY OF DIGITAL EQUIPMENT CORP. AND SHALL NOT BE REPRODUCED OR COPIED OR USED IN WHOLE OR IN PART AS THE BASIS FOR MANUFACTURE OR SALE OF ITEMS WITHOUT WRITTEN PERMISSION. THIS IS AN UNPUBLISHED WORK PROTECTED UNDER THE FEDERAL COPYRIGHT LAWS.

PAGE 1 OF 1  
TOP DOC K-DD-5418027-0

DRN BY	DAVE SAUNDERS	DATE	12-MAY-86
CHK BY	ANAND PARIKH	DATE	12-MAY-86
ENG	BOB BATTERSBY	DATE	12-MAY-86

TITLE	RS232 I/O BOARD
NUMBER	5418027-0-ESD5
REV	A

C:\PROTEUS\WORKING\DESIGNER\TEAR\TEST\_BOARD\DATA\_XCRF\_1.DRAW



CHK	CHANGE NO	REV

THIS DRAWING AND THE SPECIFICATIONS CONTAINED HEREIN ARE CONFIDENTIAL AND PROPRIETARY. THEY ARE THE PROPERTY OF DIGITAL EQUIPMENT CORP. AND SHALL NOT BE REPRODUCED OR COPIED OR USED IN WHOLE OR IN PART AS THE BASIS FOR MANUFACTURE OR SALE OF ITEMS WITHOUT WRITTEN PERMISSION. THIS IS AN UNPUBLISHED WORK PROTECTED UNDER THE FEDERAL COPYRIGHT LAWS.

DRN BY DAVE SAUNDERS	DATE 12-MAY-86	TITLE RS232 I/O BOARD
CHK BY ANAND PARIKH	DATE 12-MAY-86	NUMBER 5418027-0-ESD6
ENG BOB BATTERSBY	DATE 12-MAY-86	REV A
TOP DOC K-DD-5418027-0		

ESD MA  
MOTHER DAUGHTER BOARD INTERFACE  
LEVEL 4

21 MAY 86 14:28 ZUSEK7PROTEUS7WORKING7DECSEVER7TERM7CNTRL7ESD7BOARD7I/O7INTER7L7DRN

NOTE: THIS PAGE DEFINES THE CONTENTS OF EACH DUNDE USED IN THE RS232 I/O BOARD PRINT SET

DUNDE NAME	CONTENTS
D_IN	RXD0.L, RXD1.L, RXD2.L, RXD3.L, RXD4.L, RXD5.L, RXD6.L & RXD7.L
D_OUT	TXD0.L, TXD1.L, TXD2.L, TXD3.L, TXD4.L, TXD5.L, TXD6.L & TXD7.L
DATA_IN1	P_RX0.L, P_RX1.L, P_RX2.L & P_RX7.L
DATA_IN2	P_RX3.L, P_RX4.L, P_RX5.L & P_RX6.L
DATA_OUT1	P_TX0.L, P_TX1.L, P_TX2.L & P_TX7.L
DATA_OUT2	P_TX3.L, P_TX4.L, P_TX5.L & P_TX6.L
MCNTL_IN1	P_R12.L, P_R13.L, P_R14.L, P_R15.L, P_R16.L, P_R17.L, P_SW12.L, P_SW13.L, P_SW14.L, P_SW15.L, P_SW16.L, P_SW17.L, P_SW18.L, P_SW19.L, P_SW20.L, P_SW21.L, P_SW22.L, P_SW23.L, P_SW24.L, P_SW25.L, P_SW26.L, P_SW27.L, P_SW28.L, P_SW29.L, P_SW30.L, P_SW31.L, P_SW32.L, P_SW33.L, P_SW34.L, P_SW35.L, P_SW36.L, P_SW37.L, P_SW38.L, P_SW39.L, P_SW40.L, P_SW41.L, P_SW42.L, P_SW43.L, P_SW44.L, P_SW45.L, P_SW46.L, P_SW47.L, P_SW48.L, P_SW49.L, P_SW50.L, P_SW51.L, P_SW52.L, P_SW53.L, P_SW54.L, P_SW55.L, P_SW56.L, P_SW57.L, P_SW58.L, P_SW59.L, P_SW60.L, P_SW61.L, P_SW62.L, P_SW63.L, P_SW64.L, P_SW65.L, P_SW66.L, P_SW67.L, P_SW68.L, P_SW69.L, P_SW70.L, P_SW71.L, P_SW72.L, P_SW73.L, P_SW74.L, P_SW75.L, P_SW76.L, P_SW77.L, P_SW78.L, P_SW79.L, P_SW80.L, P_SW81.L, P_SW82.L, P_SW83.L, P_SW84.L, P_SW85.L, P_SW86.L, P_SW87.L, P_SW88.L, P_SW89.L, P_SW90.L, P_SW91.L, P_SW92.L, P_SW93.L, P_SW94.L, P_SW95.L, P_SW96.L, P_SW97.L, P_SW98.L, P_SW99.L, P_SW100.L
MCNTL_IN2	P_R10.L, P_R11.L, P_R12.L, P_R13.L, P_R14.L, P_R15.L, P_SW10.L, P_SW11.L, P_SW12.L, P_SW13.L, P_SW14.L, P_SW15.L, P_SW16.L, P_SW17.L, P_SW18.L, P_SW19.L, P_SW20.L, P_SW21.L, P_SW22.L, P_SW23.L, P_SW24.L, P_SW25.L, P_SW26.L, P_SW27.L, P_SW28.L, P_SW29.L, P_SW30.L, P_SW31.L, P_SW32.L, P_SW33.L, P_SW34.L, P_SW35.L, P_SW36.L, P_SW37.L, P_SW38.L, P_SW39.L, P_SW40.L, P_SW41.L, P_SW42.L, P_SW43.L, P_SW44.L, P_SW45.L, P_SW46.L, P_SW47.L, P_SW48.L, P_SW49.L, P_SW50.L, P_SW51.L, P_SW52.L, P_SW53.L, P_SW54.L, P_SW55.L, P_SW56.L, P_SW57.L, P_SW58.L, P_SW59.L, P_SW60.L, P_SW61.L, P_SW62.L, P_SW63.L, P_SW64.L, P_SW65.L, P_SW66.L, P_SW67.L, P_SW68.L, P_SW69.L, P_SW70.L, P_SW71.L, P_SW72.L, P_SW73.L, P_SW74.L, P_SW75.L, P_SW76.L, P_SW77.L, P_SW78.L, P_SW79.L, P_SW80.L, P_SW81.L, P_SW82.L, P_SW83.L, P_SW84.L, P_SW85.L, P_SW86.L, P_SW87.L, P_SW88.L, P_SW89.L, P_SW90.L, P_SW91.L, P_SW92.L, P_SW93.L, P_SW94.L, P_SW95.L, P_SW96.L, P_SW97.L, P_SW98.L, P_SW99.L, P_SW100.L
MCNTL_OUT1	P_SW02.L, P_SW03.L, P_SW04.L, P_SW05.L, P_SW06.L, P_SW07.L, P_SW08.L, P_SW09.L, P_SW10.L, P_SW11.L, P_SW12.L, P_SW13.L, P_SW14.L, P_SW15.L, P_SW16.L, P_SW17.L, P_SW18.L, P_SW19.L, P_SW20.L, P_SW21.L, P_SW22.L, P_SW23.L, P_SW24.L, P_SW25.L, P_SW26.L, P_SW27.L, P_SW28.L, P_SW29.L, P_SW30.L, P_SW31.L, P_SW32.L, P_SW33.L, P_SW34.L, P_SW35.L, P_SW36.L, P_SW37.L, P_SW38.L, P_SW39.L, P_SW40.L, P_SW41.L, P_SW42.L, P_SW43.L, P_SW44.L, P_SW45.L, P_SW46.L, P_SW47.L, P_SW48.L, P_SW49.L, P_SW50.L, P_SW51.L, P_SW52.L, P_SW53.L, P_SW54.L, P_SW55.L, P_SW56.L, P_SW57.L, P_SW58.L, P_SW59.L, P_SW60.L, P_SW61.L, P_SW62.L, P_SW63.L, P_SW64.L, P_SW65.L, P_SW66.L, P_SW67.L, P_SW68.L, P_SW69.L, P_SW70.L, P_SW71.L, P_SW72.L, P_SW73.L, P_SW74.L, P_SW75.L, P_SW76.L, P_SW77.L, P_SW78.L, P_SW79.L, P_SW80.L, P_SW81.L, P_SW82.L, P_SW83.L, P_SW84.L, P_SW85.L, P_SW86.L, P_SW87.L, P_SW88.L, P_SW89.L, P_SW90.L, P_SW91.L, P_SW92.L, P_SW93.L, P_SW94.L, P_SW95.L, P_SW96.L, P_SW97.L, P_SW98.L, P_SW99.L, P_SW100.L
MCNTL_OUT2	P_SW02.L, P_SW03.L, P_SW04.L, P_SW05.L, P_SW06.L, P_SW07.L, P_SW08.L, P_SW09.L, P_SW10.L, P_SW11.L, P_SW12.L, P_SW13.L, P_SW14.L, P_SW15.L, P_SW16.L, P_SW17.L, P_SW18.L, P_SW19.L, P_SW20.L, P_SW21.L, P_SW22.L, P_SW23.L, P_SW24.L, P_SW25.L, P_SW26.L, P_SW27.L, P_SW28.L, P_SW29.L, P_SW30.L, P_SW31.L, P_SW32.L, P_SW33.L, P_SW34.L, P_SW35.L, P_SW36.L, P_SW37.L, P_SW38.L, P_SW39.L, P_SW40.L, P_SW41.L, P_SW42.L, P_SW43.L, P_SW44.L, P_SW45.L, P_SW46.L, P_SW47.L, P_SW48.L, P_SW49.L, P_SW50.L, P_SW51.L, P_SW52.L, P_SW53.L, P_SW54.L, P_SW55.L, P_SW56.L, P_SW57.L, P_SW58.L, P_SW59.L, P_SW60.L, P_SW61.L, P_SW62.L, P_SW63.L, P_SW64.L, P_SW65.L, P_SW66.L, P_SW67.L, P_SW68.L, P_SW69.L, P_SW70.L, P_SW71.L, P_SW72.L, P_SW73.L, P_SW74.L, P_SW75.L, P_SW76.L, P_SW77.L, P_SW78.L, P_SW79.L, P_SW80.L, P_SW81.L, P_SW82.L, P_SW83.L, P_SW84.L, P_SW85.L, P_SW86.L, P_SW87.L, P_SW88.L, P_SW89.L, P_SW90.L, P_SW91.L, P_SW92.L, P_SW93.L, P_SW94.L, P_SW95.L, P_SW96.L, P_SW97.L, P_SW98.L, P_SW99.L, P_SW100.L

CHK	CHANGE NO	REV

THIS DRAWING AND THE SPECIFICATIONS CONTAINED HEREIN ARE CONFIDENTIAL AND PROPRIETARY. THEY ARE THE PROPERTY OF DIGITAL EQUIPMENT CORP. AND SHALL NOT BE REPRODUCED OR COPIED OR USED IN WHOLE OR IN PART AS THE BASIS FOR MANUFACTURE OR SALE OF ITEMS WITHOUT WRITTEN PERMISSION. THIS IS AN UNPUBLISHED WORK PROTECTED UNDER THE FEDERAL COPYRIGHT LAWS.

000000  
PAGE 1 OF 1

DRN BY	DAVE SAUNDERS	DATE	12-MAY-86
CHK BY	ANAND PARIKH	DATE	12-MAY-86
ENG	BOB BATTERSBY	DATE	12-MAY-86
TOP DOC K-88-8418027-0			

TITLE	RS232 I/O BOARD
NUMBER	3418027-0-E3D7
REV	A

Z:\MAY 86 11:54 AM\PROJ\TECH\RESERVE\15\RS232\I/O BOARD CONTENTS.PIC



AUTOMATED BY VAXKPL (V1.1)

PARTS LIST

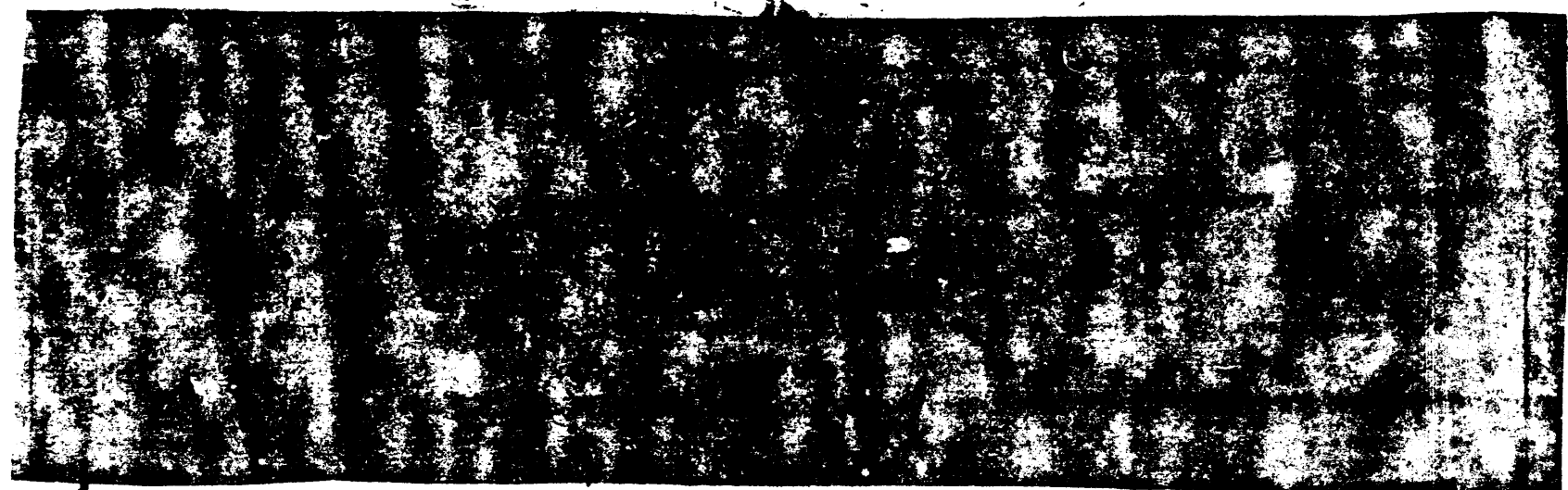
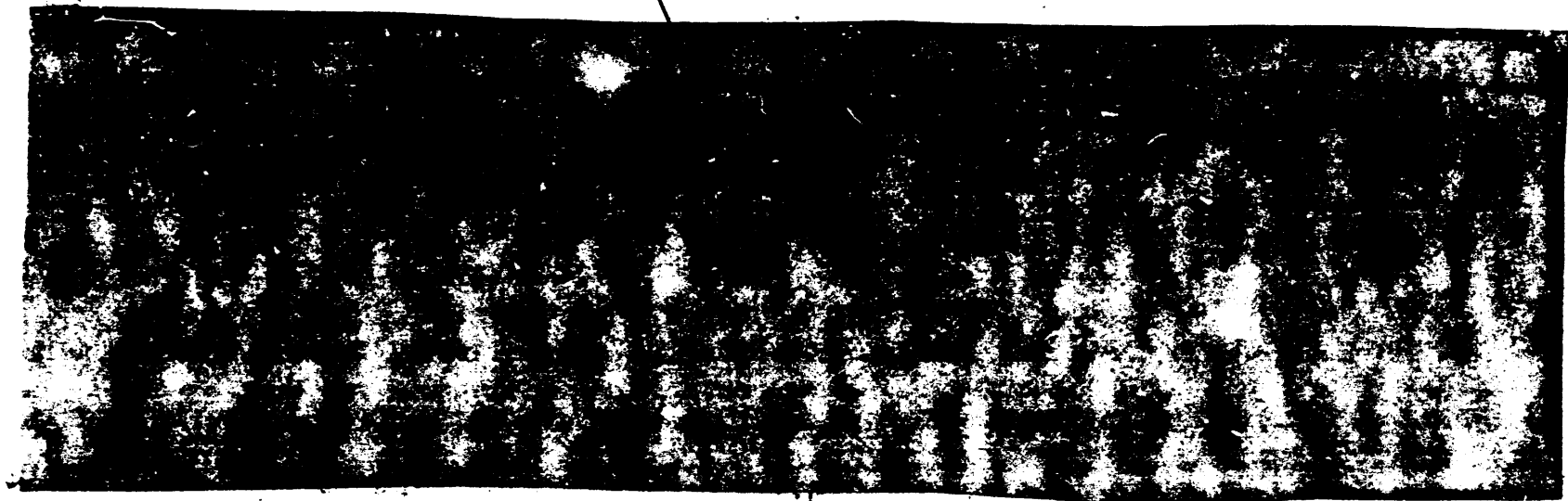
SHEET A1 OF A1

LINE	ITEM	TOP DOCUMENT	PART NUMBER	MIN REV	DESCRIPTION	QTY PER VAR/REV	REFERENCE DESIGNATORS
1	1	D-MD-5018026-0-0	50-18026-01		DRILL AND ETCH BOARD	1	
2	2		10-13466-22		0.10 MFD 50V +80/-20% Z5U C	3	C1-C3
3	3		10-23486-01		2.2 MFD 50V +/-20% ALU	3	C4-C6
4	4		11-26094-01		QUAD GREEN LED ASSEMBLY .456HOURS	1	D1
5	5		12-25898-01		CONN,DSUB 25PIN ASSY STR GOLD P	8	J1-J8
6	6		12-23627-01		PCB HEADER 50POS(2X25).100CC STR	2	J9,J10
7	7		13-00250-00		150.0 .25 W 5.0 % CF	4	R1-R4
8	8		13-03303-00		2.61 K .25 W 1.0 % RN55D-F10	1	R5
9	9		19-25894-01		PROTECTION DEVICE-TR	10	E1,E2,E5-E12
10	10		19-23889-02		EIA OCTAL LINE DRIVE	1	E3
11	11		19-23890-02		EIA OCTAL LINE RECEI	1	E4
12	12		91-05740-55		WIRE(WRAP) 30AWG KYNAR UL14	A/R	

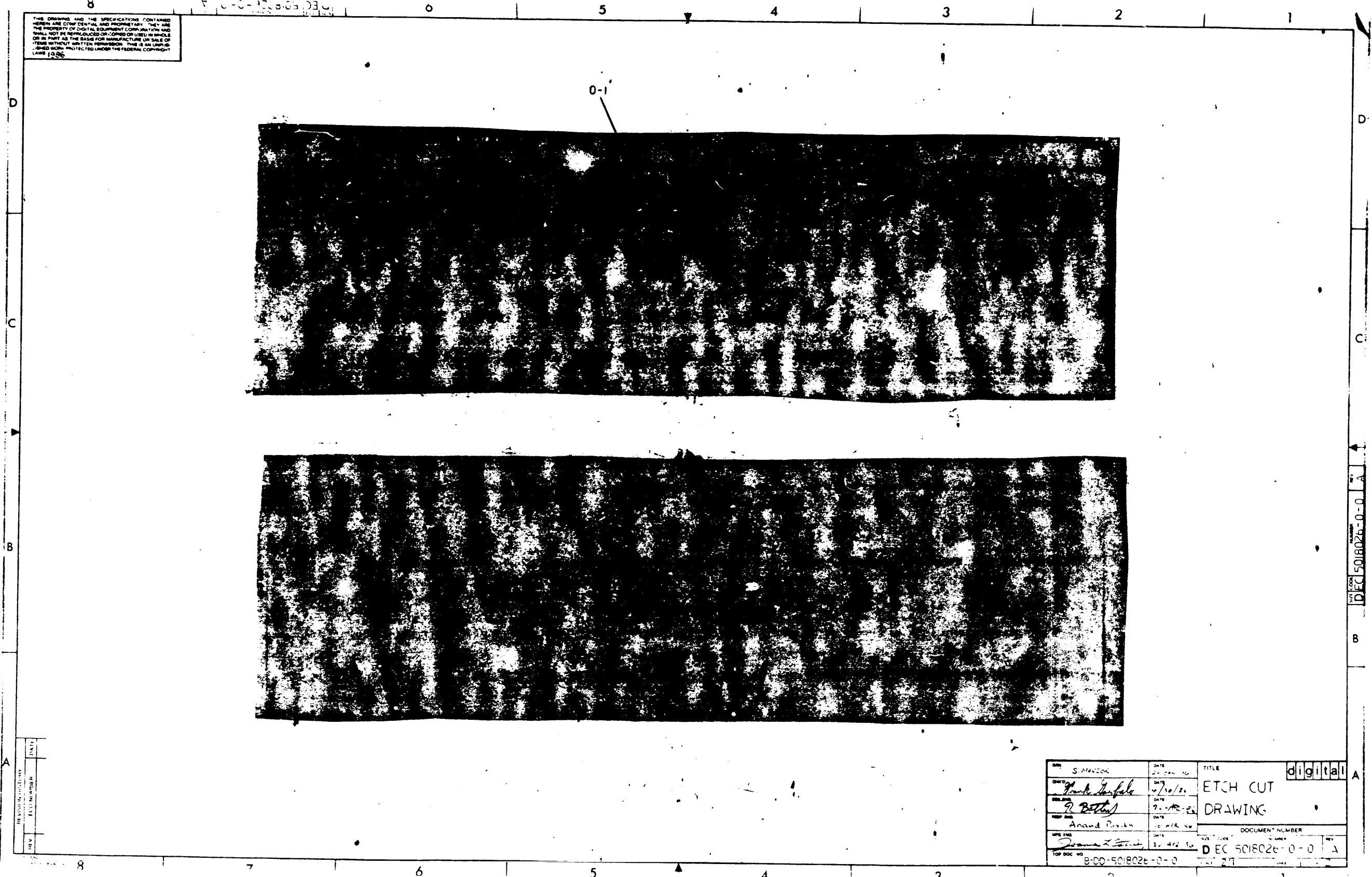
REVISION HISTORY		KPL MODULE FORMAT		SECTION A OF A		DRN: S.MANSOR		D I G I T A L	
ENG	ECO NUMBER	REV	SECTION/VARIATION INDEX		DATE: 03-JUN-86		TITLE PARTS LIST		
---	INITIAL	A	[A] 01	[M]	CHK'D: F.GAROFALO		RS232 I/O BOARD		
			[B]	[N]	DATE: 18-NOV-85				
			[C]	[P]	DES.ENG: R.BATTERSBY		DOCUMENT NUMBER		
			[D]	[Q]	DATE: 18-NOV-85		SIZE CODE NUMBER REV		
			[E]	[R]	RESP.ENG.: R.BATTERSBY		K PL 5418027-0-DBP A		
			[F]	[S]	DATE: 15-JAN-86		RELEASE DATE: 03-JUN-86		
			[H]	[T]	MFG.ENG: JAIME SEGUINOT		RELEASE STATUS: RELEASED		
			[J]	[V]	DATE: 15-JAN-86				
			[K]	[W]					
			[L]	[Y]					
		BASIC PART NUMBER:		ASSEMBLY NUMBER:		TOP DOCUMENT NUMBER:		FILE NAME:	
		5418027		E-UA-5418027-0-0		K-DD-5418027-0-0		TW824A.PLS	
								EDIT #	
								28	

"THIS DRAWING AND THE SPECIFICATIONS CONTAINED HEREIN ARE CONFIDENTIAL AND PROPRIETARY. THEY ARE THE PROPERTY OF DIGITAL EQUIPMENT CORPORATION AND SHALL NOT BE REPRODUCED OR COPIED OR USED IN WHOLE OR IN PART AS THE BASIS FOR THE MANUFACTURE OR SALE OF ITEMS WITHOUT WRITTEN PERMISSION. THIS IS AN UNPUBLISHED WORK PROTECTED UNDER THE FEDERAL COPYRIGHT LAWS."

THIS DRAWING AND THE SPECIFICATIONS CONTAINED HEREIN ARE CONFIDENTIAL AND PROPRIETARY. THEY ARE THE PROPERTY OF DIGITAL EQUIPMENT CORPORATION AND SHALL NOT BE REPRODUCED OR COPIED OR USED IN WHOLE OR IN PART AS THE BASIS FOR MANUFACTURE OR SALE OF ITEMS WITHOUT WRITTEN PERMISSION. THIS IS AN UNPUBLISHED WORK PROTECTED UNDER THE FEDERAL COPYRIGHT LAWS (1976).



0-1



REVISION	DATE

DESIGNER S. HANSON	DATE 2-1-76	TITLE ETCH CUT DRAWING	digital
DRAWN BY Frank Infante	DATE 2/10/76		
CHECKED BY R. Bostick	DATE 2-1-76		
APP. BY Arund Pevin	DATE 2-1-76		
DATE 3-2-76			
TOP DOC NO 8-00-5018026-0-0		DOCUMENT NUMBER DEC 5018026-0-0	

DEC 5018026-0-0  
 A

THIS DRAWING AND THE SPECIFICATIONS CONTAINED HEREIN ARE CONFIDENTIAL AND PROPRIETARY. THEY ARE THE PROPERTY OF DIGITAL EQUIPMENT CORPORATION AND SHALL NOT BE REPRODUCED OR COPIED OR USED IN WHOLE OR IN PART AS THE BASIS FOR THE MANUFACTURE OR SALE OF ITEMS WITHOUT WRITTEN PERMISSION. THIS IS AN UNPUBLISHED WORK PROTECTED UNDER THE FEDERAL COPYRIGHT LAWS, 1976.

SIZE CODE NUMBER  
DEC 5018026-0-0  
REV A

REWORK INSTRUCTIONS  
ETCH CUTS - SIDE 1  
0-1 AT E4-14

REVISION HISTORY		
REV	ECO NUMBER	DATE

DWG 137C  
DA-01264-16-NEVA.268

TITLE  
ETCH CUT DRAWING

DOCUMENT NUMBER		
SIZE CODE	NUMBER	REV
DEC	5018026-0-0	A
SCALE	SHEET 2 OF 2	

DRAWING NO.	NO. SHTS	PART NO.	DESCRIPTION	REVISIONS
		5418034-01	DECSERVER 200	A1
		5418034-02	DECSERVER 200	A1
		5418034-03	DECSERVER 200	A1
E-UA-5418034-0-0	2		DECSERVER 200 UNIT ASSEMBLY	A
K-PL-5418034-0-DBP	4		DECSERVER 200 PARTS LIST	A
K-PC-5418034-0-DBV	-		DECSERVER 200 PC DATA BASE	C
K-DD-5018033-0-0	1		DRAWING DIRECTORY	A
K-CS-5418034-0-DBD	-		DAISY DATA BASE	A
K-BD-5418034-0-B1	1		DECSERVER 200 BLOCK DIAGRAM	A
K-BD-5418034-0-B2	1		DECSERVER 200 BLOCK DIAGRAM	A
K-BD-5418034-0-B3	1		DECSERVER 200 BLOCK DIAGRAM	A
K-BD-5418034-0-CPU1	1		DECSERVER 200 BLOCK DIAGRAM	A
K-CS-5418034-0-CPU2	1		DECSERVER 200 SCHEMATIC	A
K-CS-5418034-0-CPU3	1		DECSERVER 200 SCHEMATIC	A
K-CS-5418034-0-CPU4	1		DECSERVER 200 SCHEMATIC	A
K-CS-5418034-0-CPU5	1		DECSERVER 200 SCHEMATIC	A
K-CS-5418034-0-CPU6	1		DECSERVER 200 SCHEMATIC	A

NOTES:

R  
E  
V  
I  
S  
I  
O  
N  
S  
I  
S  
T  
O  
R  
Y

D  
A  
T  
E

THIS DRAWING AND THE SPECIFICATIONS CONTAINED HEREIN ARE CONFIDENTIAL AND PROPRIETARY. THEY ARE THE PROPERTY OF DIGITAL EQUIPMENT CORPORATION AND SHALL NOT BE REPRODUCED OR COPIED OR USED IN WHOLE OR IN PART AS THE BASIS FOR THE MANUFACTURE OR SALE OF ITEMS WITHOUT WRITTEN PERMISSION. THIS IS AN UNPUBLISHED WORK PROTECTED UNDER THE FEDERAL COPYRIGHT LAWS.

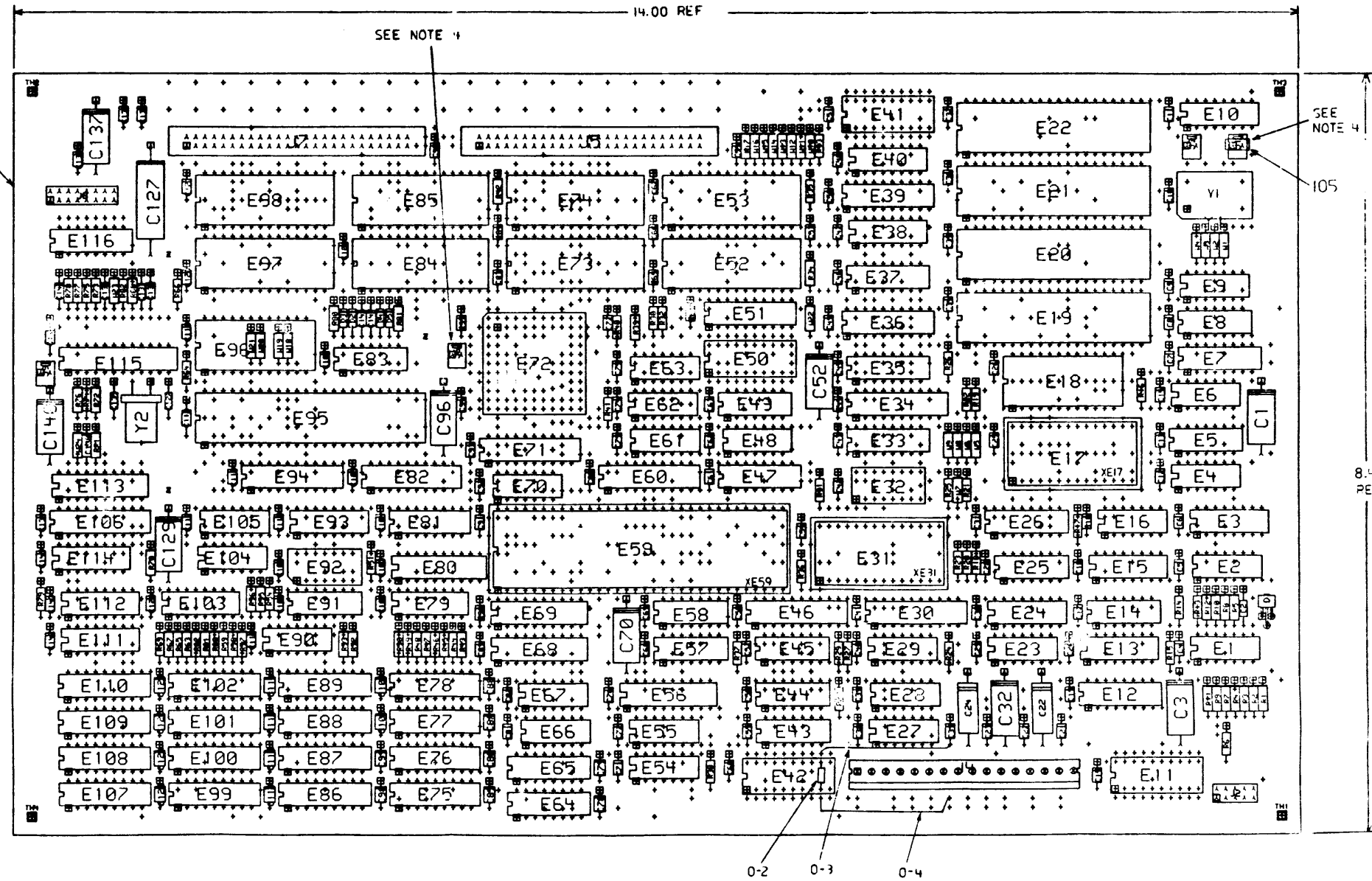
DRN: SHEILA MANSOR	DATE: 16-APR-86	d i g i t a l	
CHK'D: FRANK GAROFALO	DATE: 29-APR-86	TITLE DECSERVER 200	
DES.ENG.: DAN CEDRONE	DATE: 29-APR-86	SHEET 1 OF 2	EDIT: 21
RESP.ENG.: DAN CEDRONE	DATE: 29-APR-86	DOCUMENT NUMBER	
MFG.ENG.: JAIME SEGUINOT	DATE: 29-APR-86	DD FILENAME: 5418034A.DDF	
		SIZE CODE NUMBER	REV
		K DD 5418034-0-0	A

DRAWING NO.	NO. SHTS	PART NO.	DESCRIPTION	REVISIONS
K-CS-5418034-0-CPU7	1		DECSERVER 200 SCHEMATIC	A
K-CS-5418034-0-CPU8	1		DECSERVER 200 SCHEMATIC	A
K-BD-5418034-0-MEM1	1		DECSERVER 200 BLOCK DIAGRAM	A
K-CS-5418034-0-MEM2	1		DECSERVER 200 SCHEMATIC	A
K-CS-5418034-0-MEM3	1		DECSERVER 200 SCHEMATIC	A
K-CS-5418034-0-MEM4	1		DECSERVER 200 SCHEMATIC	A
K-CS-5418034-0-MEM5	1		DECSERVER 200 SCHEMATIC	A
K-CS-5418034-0-MEM6	1		DECSERVER 200 SCHEMATIC	A
K-CS-5418034-0-MEM7	1		DECSERVER 200 SCHEMATIC	A
K-CS-5418034-0-MEM8	1		DECSERVER 200 SCHEMATIC	A
K-CS-5418034-0-MEM9	1		DECSERVER 200 SCHEMATIC	A
K-CS-5418034-0-MEM10	1		DECSERVER 200 SCHEMATIC	A
K-BD-5418034-0-INT1	1		DECSERVER 200 SCHEMATIC	A
K-CS-5418034-0-INT2	1		DECSERVER 200 BLOCK DIAGRAM	A
K-CS-5418034-0-INT3	1		DECSERVER 200 SCHEMATIC	A
K-CS-5418034-0-INT4	1		DECSERVER 200 SCHEMATIC	A
K-CS-5418034-0-ARB1	1		DECSERVER 200 SCHEMATIC	A
K-BD-5418034-0-B4	1		DECSERVER 200 SCHEMATIC	A
K-BD-5418034-0-TRM1	1		DECSERVER 200 BLOCK DIAGRAM	A
K-CS-5418034-0-TRM2	1		DECSERVER 200 BLOCK DIAGRAM	A
K-CS-5418034-0-TRM3	1		DECSERVER 200 SCHEMATIC	A
K-CS-5418034-0-TRM4	1		DECSERVER 200 SCHEMATIC	A
K-CS-5418034-0-TRM5	1		DECSERVER 200 SCHEMATIC	A
K-CS-5418034-0-TRM6	1		DECSERVER 200 SCHEMATIC	A
K-CS-5418034-0-TRM7	1		DECSERVER 200 SCHEMATIC	A
K-CS-5418034-0-TRM8	1		DECSERVER 200 SCHEMATIC	A
K-CS-5418034-0-TRM9	1		DECSERVER 200 SCHEMATIC	A
K-CS-5418034-0-TRM10	1		DECSERVER 200 SCHEMATIC	A
K-CS-5418034-0-TRM11	1		DECSERVER 200 SCHEMATIC	A
K-BD-5418034-0-NET1	1		DECSERVER 200 SCHEMATIC	A
K-CS-5418034-0-NET2	1		DECSERVER 200 BLOCK DIAGRAM	A
K-CS-5418034-0-NET3	1		DECSERVER 200 SCHEMATIC	A
K-CS-5418034-0-NET4	1		DECSERVER 200 SCHEMATIC	A
K-CS-5418034-0-NET5	1		DECSERVER 200 SCHEMATIC	A
K-CS-5418034-0-PWR	1		DECSERVER 200 SCHEMATIC	A
K-CS-5418034-0-CAP1	1		DECSERVER 200 SCHEMATIC	A
K-CS-5418034-0-CAP2	1		DECSERVER 200 SCHEMATIC	A
K-CS-5418034-0-D1	1		DECSERVER 200 SCHEMATIC	A
K-CS-5418034-0-D2	1		DECSERVER 200 SCHEMATIC	A
K-CS-5418034-0-D3	1		DECSERVER 200 SCHEMATIC	A

REVISIONS

J  
H  
F  
E  
D  
C  
B  
A

J  
H  
F  
E  
D  
C  
B  
A



CHK	DRAWN BY	ENGINEER	CHANGE NO	DATE	REV

CHK	DRAWN BY	ENGINEER	CHANGE NO	DATE	REV

6. FOR VAR-03 COMPONENTS NOT TO BE INSTALLED: V2, W3, W5-W24.

NOTES
1. UL RATING IS LPWR.
2. SPARE LOCATIONS: E11, E41, E50, E113.
3. PART NO. J2-W314-00 IS INSTALLED INTO J1 AND J6 AFTER FE333 TESTING ITEM.

NOTES
4. FOR VARIATION-01 COMPONENTS NOT TO BE INSTALLED ARE: E78, E89, E102, E110, W1, W3-W24.
5. FOR VAR-02 COMPONENTS NOT TO BE INSTALLED: E2, E3, E12, E74, E78, E84, E85, E89, E97, E98, E102, E110, W1, W2, W3, W4, W21, W23, W24, C53, C54, C65, C67, B7, C8.

SIGNATURES	DATE
DRAWN BY: [Signature]	
CHECKED BY: [Signature]	
MECH. ENG: [Signature]	
PROD. ENG: [Signature]	
SCALE: 2:1	

digital

TITLE: REC-HEADER 200

DATE: 12/10/90

SCALE: 2:1

SIZE: 11x17

HEADER

THIS DRAWING AND THE SPECIFICATIONS CONTAINED HEREIN ARE CONFIDENTIAL AND PROPRIETARY. THEY ARE THE PROPERTY OF DIGITAL EQUIPMENT CORPORATION AND SHALL NOT BE REPRODUCED OR COPIED OR USED IN WHOLE OR IN PART AS THE BASIS FOR THE MANUFACTURE OR SALE OF ITEMS WITHOUT WRITTEN PERMISSION. THIS IS AN UNPUBLISHED WORK PROTECTED UNDER THE FEDERAL COPYRIGHT LAW 1986

V 0-0-HE081HS V D

REWORK INSTRUCTIONS

COMPONENT ADDS  
 0-2 ADD THERMISTER (13-26688-01) R83 TO SPARE LOCATION E42 BETWEEN E42-9 AND E42-12.

WIRE ADDS-SIDE 1  
 0-3 FROM E42-12 TO C33-2.  
 0-4 FROM E42-9 TO PTH LOCATED NEAR J4-7 AND J4-8.

REVISION HISTORY		
REV	ECO NUMBER	DATE

DWG 137C  
 04-01-84-10-REV A (10)

TITLE DEC SERVER 200  
 MAIN BOARD

DOCUMENT NUMBER		
SIZE CODE	NUMBER	REV
DUA	5418034-0-0	A
SCALE	SHEET 2 OF 2	

AUTOMATED BY VAXKPL (V1.2)

PARTS LIST

SHEET A1 CF A4

LINE	ITEM	TOP DOCUMENT	PART NUMBER	MIN REV	DESCRIPTION	QTY PER VAR/REV			REFERENCE DESIGNATORS
						01 A1	02 A1	03 A1	
1	1	D-MD-5018033-0-0	50-18033-01		DRILL AND ETCH BOARD	1	1	1	
2	3		10-01610-00		0.010MFD 50V +80/-20% Z5U C	2	2	2	C132,C133
3	4		10-02174-00		2.0 MFD 25V +75/-10% ALU	2	2	2	C3,C129
4	5		10-11605-00		100 MFD 10V +/-10% SOL	1	1	1	C127
5	6		10-12084-01		8.0 MFD 25V +75/-10% ALU	7	7	7	C1,C32,C52,C70,C96,C137,C140
6	7		10-12784-00		0.047MFD 50V +80/-20% Z5U C	103	-	103	C4-C21,C23,C25-C31,C33-C51, CONT C53-C69,C71-C77,C80-C84, CONT C89-C95,C97,C102-C110, CONT C115-C117,C119-C121,C128,C134, CONT C139,C142,C143,C145
			CONT			-	89	-	C4-C21,C23,C25-C31,C33-C51, CONT C54-C58,C60-C64,C68,C69, CONT C71-C76,C80-C82,C89-C93, CONT C102-C105,C107-C110,C115-C117, CONT C119,C128,C134,C139,C142,C143, CONT C145
7	8		10-13466-06		100 PFD 50V +/- 5% NPO C	3	3	3	C2,C122,C135
8	9		10-13466-22		0.10 MFD 50V +80/-20% Z5U C	7	-	7	C118,C130,C136,C141,C144,C146, CONT C147
			CONT			-	5	-	C118,C130,C136,C141,C144
9	10		10-13466-34		4700 PFD 50V +/- 5% X7R C	1	1	1	C131
10	11		10-13466-50		680 PFD 50V +/- 5% NPO C	1	1	1	C138
11	12		10-17472-00		10 MFD 35V +75/-10% ALU	2	2	2	C22,C24
12	13		10-25853-01		0.22 MFD 50V +80/-20% Z5U C	-	-	18	C78,C79,C85-C88,C98-C101, CONT C111-C114,C123-C126
			CONT			14	14	-	C78,C79,C85-C87,C98-C100, CONT C111-C113,C123-C125
13	14		11-16475-00		PIV= 75 - 4HS 1N4148	4	-	4	D2-D5
14	15		12-13488-00		PCB,HEADER 10PIN(2X05).100CC	1	1	1	J2
15	16		12-13488-13		PCB,HEADER 16PIN(2X08).100CC STR	1	1	1	J8
16	17	SEE NOTE 3	12-14314-00		CONN,P+S 02SKT(1X02).100CC JUM	2	2	2	
17	18		12-15006-07		SKT,IC 28PIN DIP TIN SOLD	2	2	2	XE17,XE31

REVISION HISTORY		KPL MODULE FORMAT		SECTION A OF A		DRN: S.MANSOR		D I G I T A L	
ENG	ECO NUMBER	REV	SECTION/VARIATION INDEX		DATE: 14-JAN-86		TITLE PARTS LIST		
---	INITIAL	A	[A]	01,02,03	[M]	CHK'D:	F.GAROFALO	DEC SERVER 200	
			[B]		[N]	DATE:	14-JAN-86	MAIN BOARD	
			[C]		[P]	DES.ENG:	DAN CEDRONE	DOCUMENT NUMBER	
			[D]		[Q]	DATE:	14-JAN-86	SIZE	CODE
			[E]		[R]	RESP.ENG.:	DAN CEDRONE	NUMBER	REV
			[F]		[S]	DATE:	14-JAN-86	K	PL
			[H]		[T]	MFG.ENG.:	JAIME SEGUINOT	5418034-0-DBP	
			[J]		[V]	DATE:	19-JUN-86	RELEASE DATE: 07-JUL-86	
			[K]		[W]	RELEASE STATUS: RELEASED			
			[L]		[Y]				
BASIC PART NUMBER:		ASSEMBLY NUMBER:		TOP DOCUMENT NUMBER:		FILE NAME:		EDIT #	
5418034		E-UA-5418034-0-0		K-DD-5418034-0-0		TW826A.PLS		48	

"THIS DRAWING AND THE SPECIFICATIONS CONTAINED HEREIN ARE CONFIDENTIAL AND PROPRIETARY. THEY ARE THE PROPERTY OF DIGITAL EQUIPMENT CORPORATION AND SHALL NOT BE REPRODUCED OR USED IN WHOLE OR IN PART AS THE BASIS FOR THE MANUFACTURE OR SALE OF ITEMS WITHOUT WRITTEN PERMISSION. THIS IS AN UNPUBLISHED WORK PROTECTED UNDER THE FEDERAL COPYRIGHT LAWS."



PARTS LIST

LINE	ITEM	TOP DOCUMENT	PART NUMBER	MIN REV	DESCRIPTION	QTY PER VAR/REV			REFERENCE DESIGNATORS
						01 A1	02 A1	03 A1	
18	19		12-15006-19		/REPLACED BY 12-23871-17	1	1	1	XE59
19	20		12-16652-18		PCB HEADER STR	1	1	1	J4
20	21		12-19251-00		PCB HEADER 02PIN(1X02).100CC STR	3	3	3	J1, J3, J6
21	22		12-23627-01		PCB HEADER 50POS(2X25).100CC STR	2	-	2	J5, J7
					CONT	-	1	-	J5
22	23		13-00005-07		R. NET 4.7K-15 5.0	3	3	3	E7, E37, E81
23	24		13-00197-00		33.0 .25 W 5.0 % CF	21	21	21	R43-R50, R52, R53, R55-R63, R65, R67
24	25		13-00229-00		100.0 .25 W 5.0 % CF	22	22	22	R14-R17, R19, R20, R22, R24, R26,
									CONT R28, R31, R33, R35, R37, R38, R51,
									CONT R54, R64, R69, R74, R79, R82
25	26		13-00247-00		120.0 .25 W 5.0 % CF	2	2	2	R29, R30
26	27		13-00316-00		470.0 .25 W 5.0 % CF	1	1	1	R9
27	28		13-00365-00		1.0 K .25 W 5.0 % CF	1	1	1	R8
28	29		13-00432-00		3.0 K .25 W 5.0 % CF	1	1	1	R71
29	30		13-00539-00		120.0 K .25 W 5.0 % CF	1	1	1	R11
30	31		13-01322-00		180.0 .25 W 5.0 % CF	2	2	2	R27, R32
31	32		13-02388-00		2.0 K .25 W 5.0 % CF	10	10	10	R6, R13, R18, R21, R23, R25, R36, R40,
									CONT R41, R66
32	33		13-02397-00		130.0 K .25 W 5.0 % CF	2	2	2	R1, R2
33	34		13-02871-00		1.21 K .25 W 1.0 % RN55D-F10	1	1	1	R4
34	35		13-03114-00		1.0 K .25 W 1.0 % RN55D-F10	1	1	1	R7
35	36		13-03179-00		8.20 K .25 W 5.0 % CF	2	2	2	R10, R12
36	37		13-03303-00		2.61 K .25 W 1.0 % RN55D-F10	3	-	3	R34, R39, R42
37	38		13-04841-00		75.0 K .25 W 5.0 % CF	1	1	1	R70
38	39		13-05346-00		27.0 .25 W 5.0 % CF	1	1	1	R5
39	40		13-05621-00		111.1 .25 W 0.10% RN55D-B10	2	-	2	R80, R81
40	41		13-09422-00		5.10 .25 W 5.0 % CF	1	1	1	R68
41	42		13-11522-00		200.0 .25 W 5.0 % CF	1	1	1	R76
42	43		13-12930-00		5.10 K .25 W 5.0 % CF	1	1	1	R3
43	44		13-18150-75		40.20 .25 W 1.0 % RN55D-F10	4	4	4	R73, R75, R77, R78
44	45		13-18247-00		510.0 .25 W 5.0 % CF	1	1	1	R72
45	46		13-26688-01		THERMISTOR PTC 0.062 15%	1	1	1	R83
46	47		16-16653-01		DELAY= 100NS, 10TAPS WITH TTLBU	1	1	1	E92
47	48		16-25072-01		XFMR, 75UH	1	1	1	E116
48	49		18-11660-50		OSCILLATOR, XTAL 29.4912 MHZ	1	1	1	Y1
49	50		18-22815-01		XTAL 20.000 MHZ	1	1	1	Y2
50	51		19-12108-01		LM 339ANVOLT, CMPRTR, QUAD	1	1	1	E1
51	52		19-12799-00		LS00 NAND-GATE-QUAD 2IN,P	1	1	1	E9
52	53		19-12805-00		LS08 AND GATE-QUAD 2IN,PO	2	2	2	E5, E49
53	54		19-12810-00		LS20 NAND GATE-DUAL 4IN	1	1	1	E16
54	55		19-12811-00		LS21 AND GATE-DUAL 4IN,PO	1	1	1	E4
55	56		19-12816-00		LS32 OR GATE-QUAD 2IN,POS	2	2	2	E8, E43
56	57		19-12818-00		LS38 NAND BUFFER-QUAD 2IN	1	1	1	E25
57	58		19-12824-00		LS74 FF-D DUAL, EDGE TRIGG	2	2	2	E2, E28
58	59		19-12837-00		LS123 ONE SHOT-DUAL, RETRIG	2	2	2	E3, E114
59	60		19-12845-00		LS153 MUX 1 OF 4 (DUAL)	1	1	1	E15
60	61		19-12847-00		LS157 MUX 1 OF 2 (QUAD)	3	3	3	E13, E38, E40
61	62		19-12848-00		LS158 MUX 1 OF 2 (QUAD)	1	1	1	E12
62	63		19-12863-00		LS273 FF-D OCTAL W/CLEAR	1	1	1	E69
63	64		19-13414-00		LS14 INVERTER GATE-HEX SC	1	1	1	E104

D	I	G	I	T	A	L	TITLE	SECTION A	OF	A	SIZE	CODE	DOCUMENT NUMBER	REV
							DEC SERVER 200 MAIN BOARD				K	PL	5418034-0-DBP	A

PARTS LIST

LINE	ITEM	TOP DOCUMENT	PART NUMBER	MIN REV	DESCRIPTION	QTY PER VAR/REV			REFERENCE DESIGNATORS
						01 A1	02 A1	03 A1	
64	65		19-14085-00		74S260 NOR GATE-DUAL, POS	1	1	1	E45
65	66		19-15193-00		LS244 DRIVER, LINE, OCTAL, TR	1	1	1	E34
66	67		19-19006-00	LM	336A VOLT REF. 2.49V 1%	1	1	1	D1
67	68		19-19018-00		LS148 PRIORITY ENCODER, 8 T	4	4	4	E26, E33, E35, E47
68	69		19-20441-01		74F245 TRANSCEIVER, BI-DIREC	2	2	2	E60, E71
69	70		19-20442-01		74F374 FF-D, OCTAL, TRI-STATE	3	3	3	E36, E39, E51
70	71		19-20572-01		74F244 BUFFER/LINE DRIVER, 0	2	2	2	E56, E68
71	72		19-21009-01		74F241 BUFFER/LINE DRIVER, N	1	1	1	E80
72	73		19-21010-01		74F373 OCTAL TRANSPARENT LA	4	4	4	E46, E82, E94, E106
73	74		19-21305-01		74F00 NAND GATE, QUAD, 2-IN	1	1	1	E57
74	75		19-21306-01		74F02 NOR GATE, QUAD, 2-IN	1	1	1	E6
75	76		19-21307-01		74F04 HEX INVERTER	3	3	3	E14, E44, E91
76	77		19-21308-01		74F08 AND GATE, QUAD, 2-IN	1	1	1	E58
77	78		19-21311-01		74F20 NAND GATE, DUAL, 4-IN	2	2	2	E27, E90
78	79		19-21312-01		74F32 OR GATE, QUAD, 2-IN	3	3	3	E23, E29, E62
79	80		19-21314-01		74F74 FF-D, DUAL, POS., EDGE	6	6	6	E48, E61, E63, E66, E70, E105
80	81		19-21315-01		74F86 EXCLUSIVE OR GATE, QU	1	1	1	E54
81	82		19-21316-01		74F138 DECODER/DEMUX, 1-OF-8	1	1	1	E24
82	83		19-21317-01		74F139 DECODER, DUAL, 1-OF-4	1	1	1	E79
83	84		19-21322-01		74F161 BINARY COUNTER, PRES	1	1	1	E10
84	85		19-21331-01		74F258 MUX, QUAD, 2-IN	3	3	3	E103, E111, E112
85	86		19-21332-01		74F280 PARITY GEN/CHECK, 9-B	2	2	2	E55, E67
86	87		19-21671-03		INTERFACE, SERIAL ADAPTOR 300MIL	1	1	1	E115
87	88		19-22191-01		74F353 MULTIPLEXER, DUAL 4I	1	1	1	E93
88	89		19-23889-02		EIA OCTAL LINE DRIVE	3	-	3	E53, E74, E85
89	90		19-23890-02		EIA OCTAL LINE RECEI	5	-	5	E52, E73, E84, E97, E98
90	91		19-25706-01		74F37 QUAD 2-INPUT NAND BU	1	1	1	E83
91	92		21-20067-01		68000 MICROPROCESSOR, 16BIT	1	1	1	E59
92	93		21-20068-01		2681 REC./TRANS., ASYNC., D	4	4	4	E19-E22
93	94		21-21414-02		50256 RAM 256KX1 DYNAMIC M	2	2	2	E64, E65
94	95		21-21672-04		CONTROLLER, LOCAL AREA NETWORK	1	1	1	E95
95	96	SEE NOTE 4	21-22421-02		*** THIS ITEM IS NOT USED ***	-	-	-	
96	97	SEE NOTE 4	21-22422-02		*** THIS ITEM IS NOT USED ***	-	-	-	
97	98		21-24412-02		RAM, 64KX4, DYNAMIC 15	12	12	-	E75-E77, E86-E88, E99-E101, E107-E109
			CONT			-	-	16	E75-E78, E86-E89, E99-E102, E107-E110
98	99	SEE NOTE 2	21-24414-02		*** THIS ITEM IS NOT USED ***	-	-	-	
99	100		21-25710-02		GATE ARRAY, LANCE	1	1	1	E96
100	101		21-25874-02		DC7053B DEC SERVER GATE ARRAY	1	-	1	E72
101	102		23-163K3-00		K3-03 PAL, QUAD AND-0	1	1	1	E30
102	103		23-225E5-00		E5-01, E5-02, E5-03 ROM	1	1	1	E31
103	104		23-226E5-00		E5-01, E5-02, E5-03 ROM	1	1	1	E17
104	105		23-365A1-00		A1-09	1	1	1	E32
105	106		23-4N1 -00		N1-04	1	1	1	E18
106	107		90-09185-00		JUMPER, WIRE, INSULATED, BLACK B	1	-	-	W2
			CONT			-	-	2	W1, W4
107	108		91-07727-00		WIRE (WRAP) 26AWG KYNAR UL14	A/R	15 A/R	-	W2, W3, W5, W6, W8-W17, W22

D	I	G	I	T	A	L	TITLE	SECTION A OF A	SIZE	CODE	DOCUMENT NUMBER	REV
							DEC SERVER 200 MAIN BOARD		K	PL	5418034-0-DBP	A

AUTOMATED BY VAXKPL (V1.2)

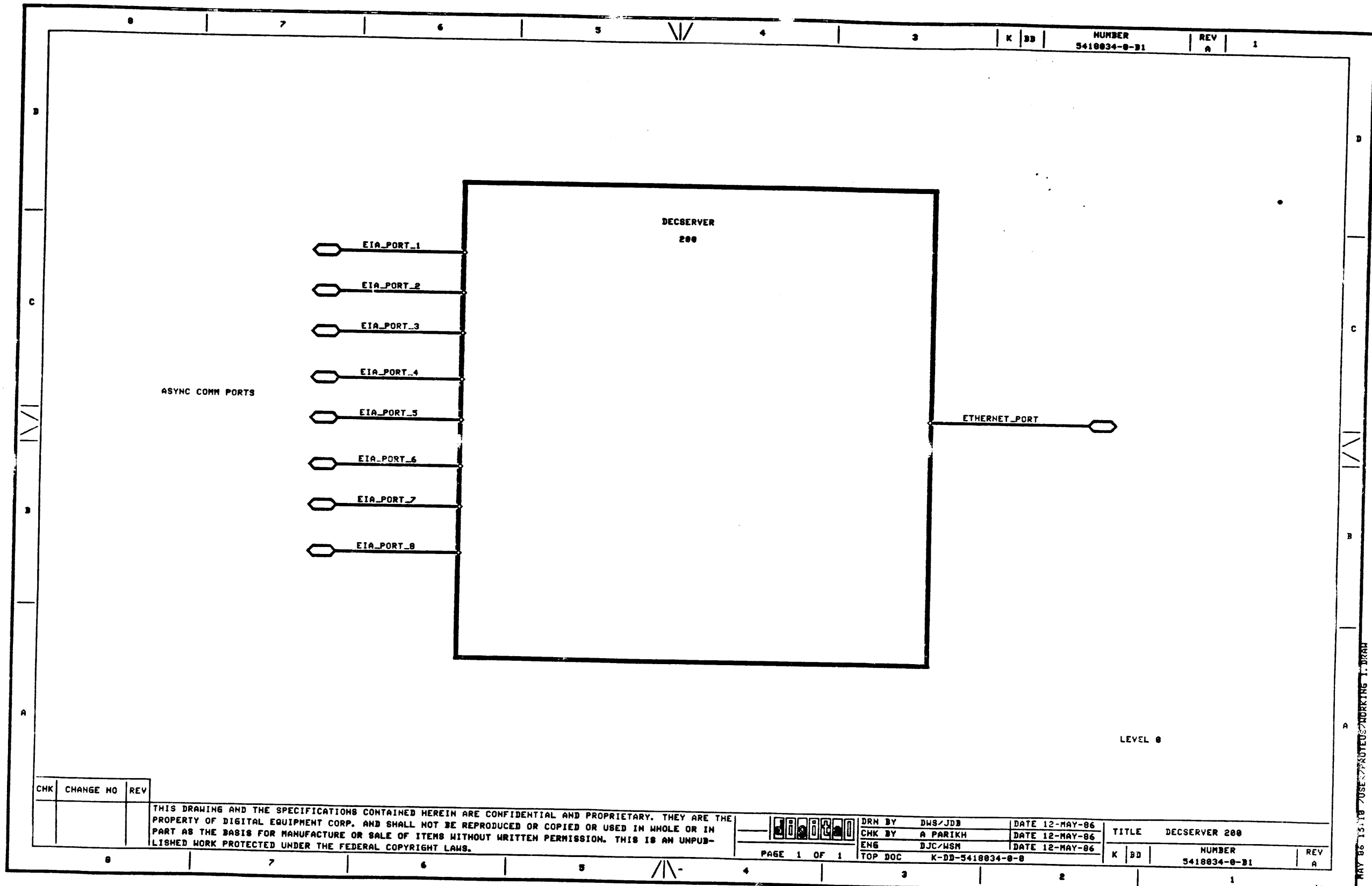
P A R T S L I S T

SHEET A4 OF A4

LINE ITEM	TOP DOCUMENT	PART NUMBER	MIN REV	DESCRIPTION	QTY PER VAR/REV			REFERENCE DESIGNATORS
					01	02	03	
					A1	A1	A1	

- 1 GEN: 1.SPARE LOCATIONS: E11,E41,E50,E113.
- 2 GEN: 2.P/N 21-24414-02 MAY BE SUBSTITUTED FOR P/N 21-24412-02,USING THE SAME REFERENCE DESIGNATORS.
- 3 GEN: 3.SOCKET 12-14314-00 IS INSERTED ON TO J1 AND J6 AFTER FF333 TESTING.
- 4 GEN: 4.P/N 21-22421-02 OR 21-22422-02 MAY BE SUBSTITUTED FOR P/N 21-21414-02, USING THE SAME REFERENCE DESIGNATORS.
- 5 GEN: 5.FOR VARIATION -01, COMPONENTS NOT TO BE INSTALLED ARE: E78,E89,E102,E110,W1,W3-W24,C88,C101,C114,C126.
- 6 GEN: 6.FOR VARIATION -02, COMPONENTS NOT TO BE INSTALLED ARE: E52,E53,E72,E73,E74,E78,E84,E85,E89,E97,E98,E102,E110,W1,W4,W7,
- 7 GEN: FROM 6, W18-W21,W23,W24,C53,C59,C65-C67,C77,C83,C84,C94,C95,C97,C106,C120,C121,C146,C147,C88,C101,C114,C126,D2-D5,R34,R39
- 8 GEN: FROM 6, R42,R80,R81,J7.
- 9 GEN: 7.FOR VARIATION -03, COMPONENTS NOT TO BE INSTALLED ARE: W2,W3,W5-W24.

D	I	G	I	T	A	L	TITLE	SECTION A	OF A	SIZE	CODE	DOCUMENT NUMBER	REV
							DEC SERVER 200 MAIN BOARD			K	PL	5418034-0-DBP	A



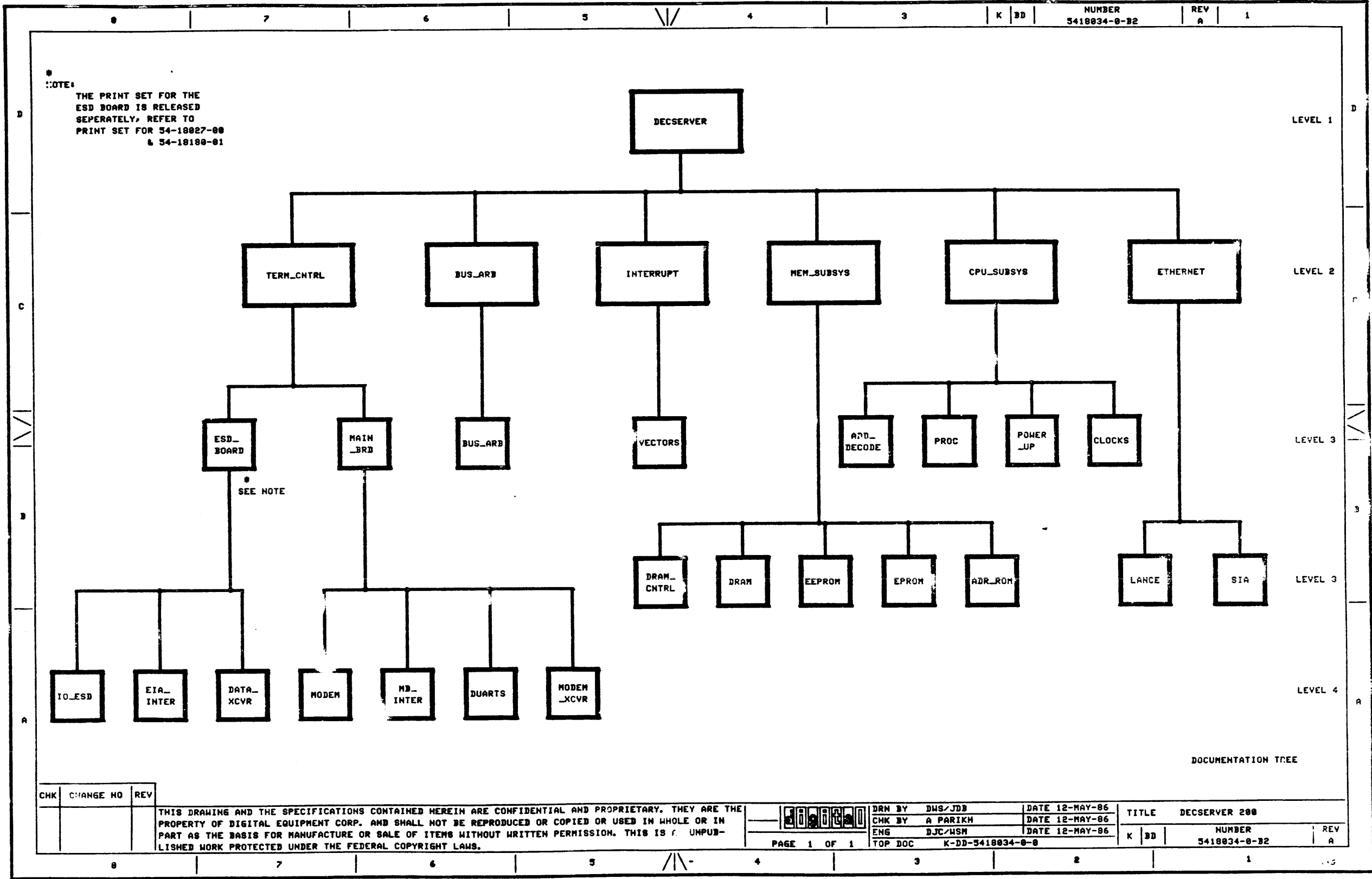
K	DD	NUMBER 5418034-0-01	REV A	1
---	----	------------------------	----------	---

CHK	CHANGE NO	REV

THIS DRAWING AND THE SPECIFICATIONS CONTAINED HEREIN ARE CONFIDENTIAL AND PROPRIETARY. THEY ARE THE PROPERTY OF DIGITAL EQUIPMENT CORP. AND SHALL NOT BE REPRODUCED OR COPIED OR USED IN WHOLE OR IN PART AS THE BASIS FOR MANUFACTURE OR SALE OF ITEMS WITHOUT WRITTEN PERMISSION. THIS IS AN UNPUBLISHED WORK PROTECTED UNDER THE FEDERAL COPYRIGHT LAWS.

		DRN BY DWS/JDB	DATE 12-MAY-86	TITLE DECSERVER 200
PAGE 1 OF 1		CHK BY A PARIKH	DATE 12-MAY-86	NUMBER 5418034-0-01
		ENG DJC/WSM	DATE 12-MAY-86	REV A
		TOP DOC K-DD-5418034-0-0		

21 MAY 86 13:18 ZUSE/PROTEUS/WORKING 1. DRAM



NOTE:  
 THE PRINT SET FOR THE  
 ESD BOARD IS RELEASED  
 SEPERATELY, REFER TO  
 PRINT SET FOR 54-18027-00  
 & 54-18180-01

SEE NOTE

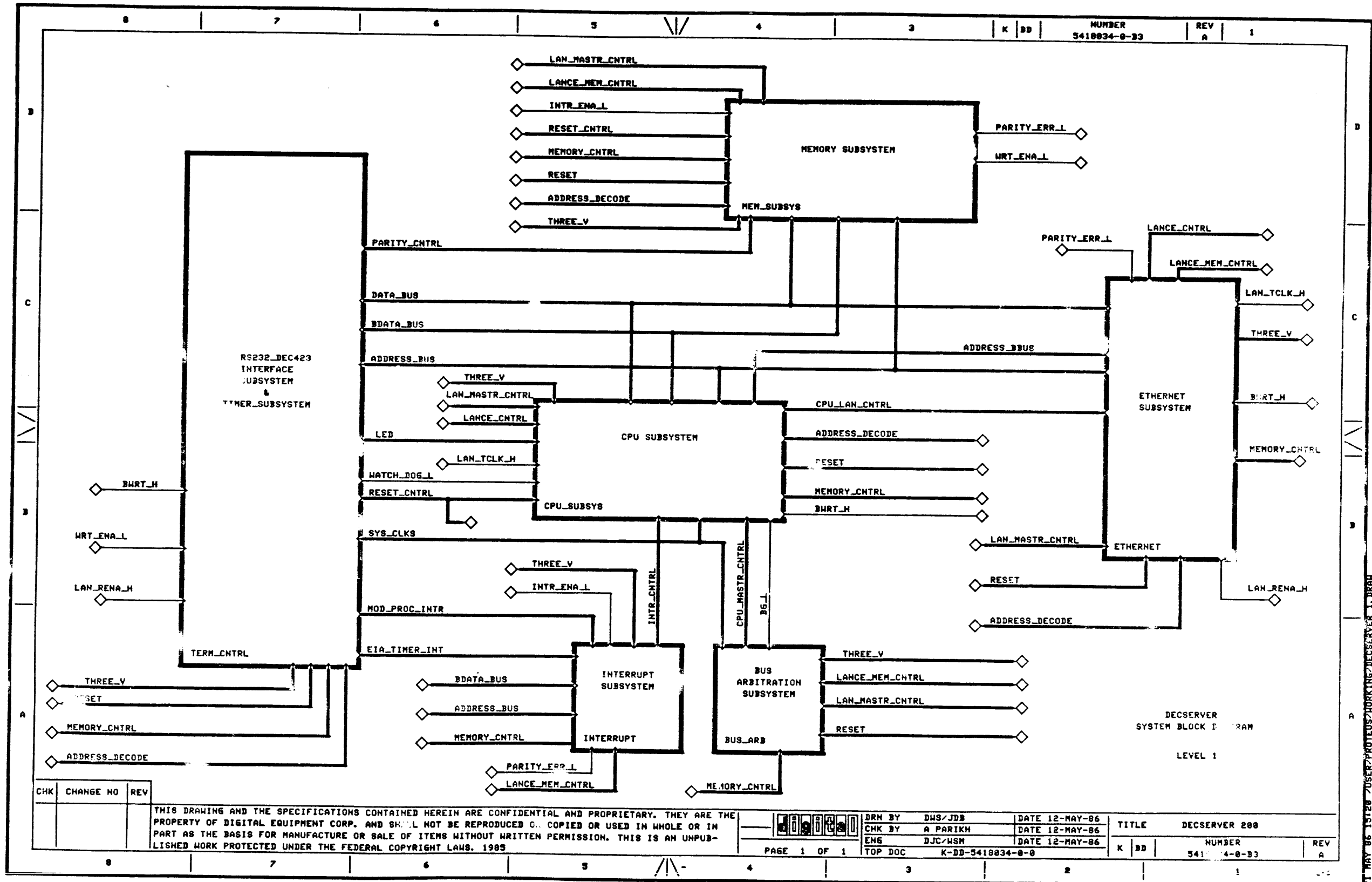
DOCUMENTATION TREE

CHK	CHANGE NO	REV

THIS DRAWING AND THE SPECIFICATIONS CONTAINED HEREIN ARE CONFIDENTIAL AND PROPRIETARY. THEY ARE THE PROPERTY OF DIGITAL EQUIPMENT CORP. AND SHALL NOT BE REPRODUCED OR COPIED OR USED IN WHOLE OR IN PART AS THE BASIS FOR MANUFACTURE OR SALE OF ITEMS WITHOUT WRITTEN PERMISSION. THIS IS UNPUBLISHED WORK PROTECTED UNDER THE FEDERAL COPYRIGHT LAWS.

DRM BY	DWS/JDB	DATE	12-MAY-86	TITLE	DECSERVER 200
CHK BY	A PARIKH	DATE	12-MAY-86	NUMBER	5418034-0-32
ENG	DJC/WSH	DATE	12-MAY-86	REV	A
PAGE 1 OF 1		TOP DOC		K DD	

21 MAY 86 13:16 USER:PROTEUS700 XING/DECSERVER TREE.PRM



CHK	CHANGE NO	REV

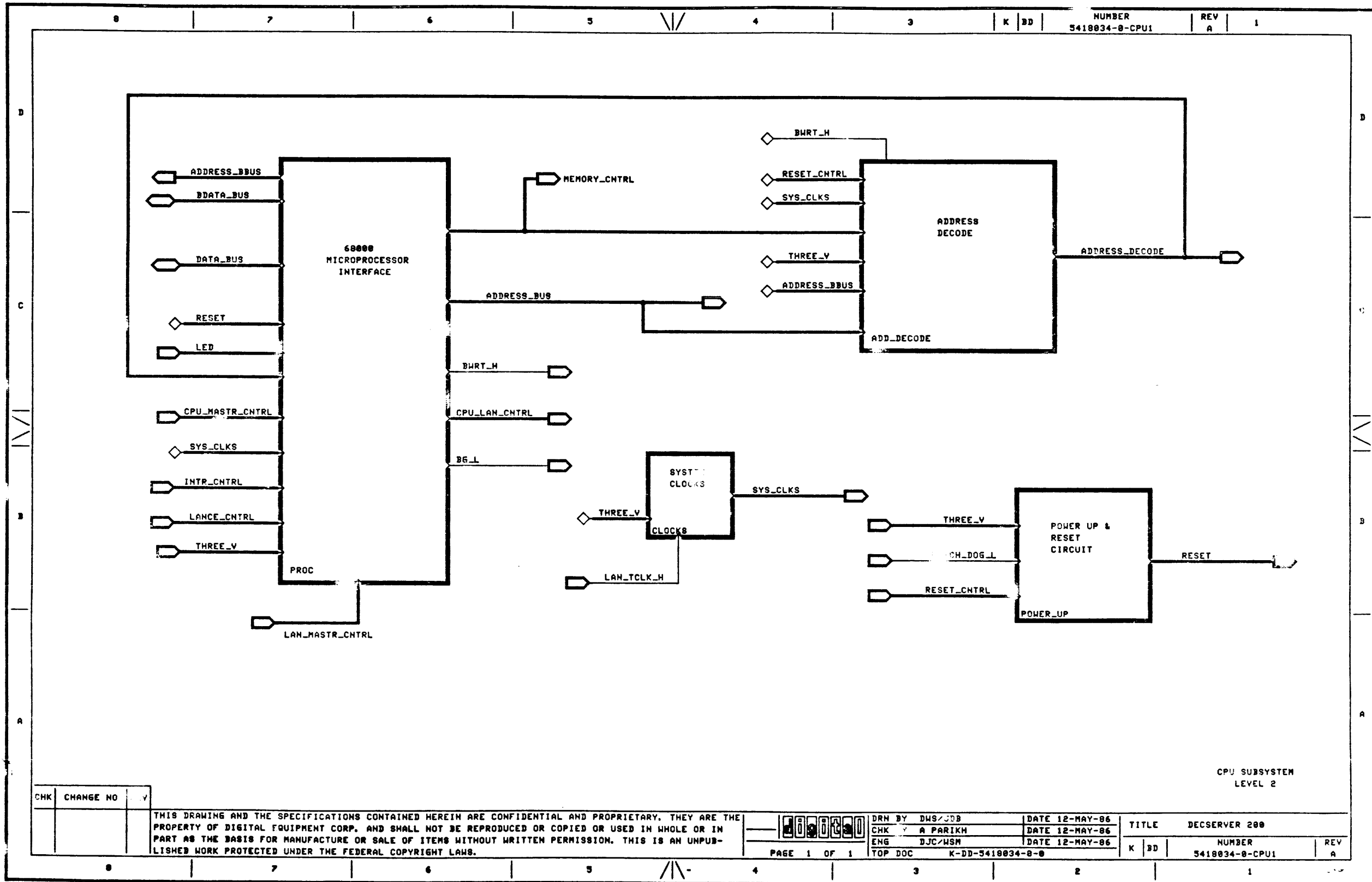
THIS DRAWING AND THE SPECIFICATIONS CONTAINED HEREIN ARE CONFIDENTIAL AND PROPRIETARY. THEY ARE THE PROPERTY OF DIGITAL EQUIPMENT CORP. AND SHALL NOT BE REPRODUCED OR COPIED OR USED IN WHOLE OR IN PART AS THE BASIS FOR MANUFACTURE OR SALE OF ITEMS WITHOUT WRITTEN PERMISSION. THIS IS AN UNPUBLISHED WORK PROTECTED UNDER THE FEDERAL COPYRIGHT LAWS, 1985



DRN BY	DWS/JDB	DATE	12-MAY-86
CHK BY	A PARIKH	DATE	12-MAY-86
ENG	DJC/WSM	DATE	12-MAY-86
TOP DOC	K-DD-5418034-0-0		

TITLE	DECserver 200		
NUMBER	5418034-0-0	REV	A

21 MAY 86 15:28 USER:PROTEUS/WORKING/DECserver 200



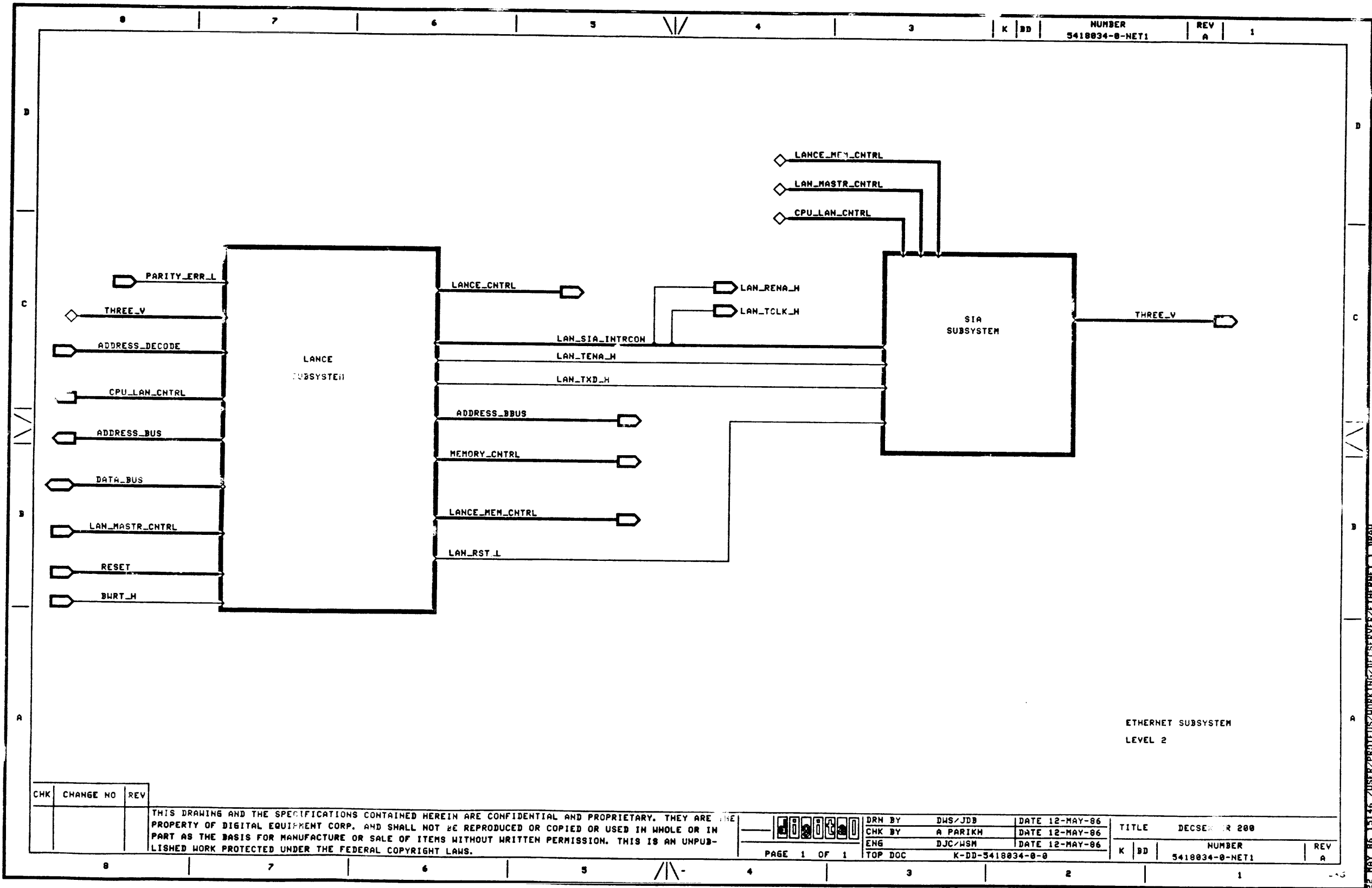
CPU SUBSYSTEM LEVEL 2

CHK	CHANGE NO	Y

THIS DRAWING AND THE SPECIFICATIONS CONTAINED HEREIN ARE CONFIDENTIAL AND PROPRIETARY. THEY ARE THE PROPERTY OF DIGITAL EQUIPMENT CORP. AND SHALL NOT BE REPRODUCED OR COPIED OR USED IN WHOLE OR IN PART AS THE BASIS FOR MANUFACTURE OR SALE OF ITEMS WITHOUT WRITTEN PERMISSION. THIS IS AN UNPUBLISHED WORK PROTECTED UNDER THE FEDERAL COPYRIGHT LAWS.

DRN BY	DMS/JDB	DATE	12-MAY-86	TITLE	DECSERVER 200
CHK	A PARIKH	DATE	12-MAY-86	NUMBER	5418034-0-CPU1
ENG	DJC/USM	DATE	12-MAY-86	REV	A
TOP DOC	K-DD-5418034-0-0				

2: MAY 86 15:23 / USER: PROTEUS / WORKING: DECSERVER / CPU\_SUBSYS 1: DRAN



CHK	CHANGE NO	REV

THIS DRAWING AND THE SPECIFICATIONS CONTAINED HEREIN ARE CONFIDENTIAL AND PROPRIETARY. THEY ARE PROPERTY OF DIGITAL EQUIPMENT CORP. AND SHALL NOT BE REPRODUCED OR COPIED OR USED IN WHOLE OR IN PART AS THE BASIS FOR MANUFACTURE OR SALE OF ITEMS WITHOUT WRITTEN PERMISSION. THIS IS AN UNPUBLISHED WORK PROTECTED UNDER THE FEDERAL COPYRIGHT LAWS.

PAGE 1 OF 1

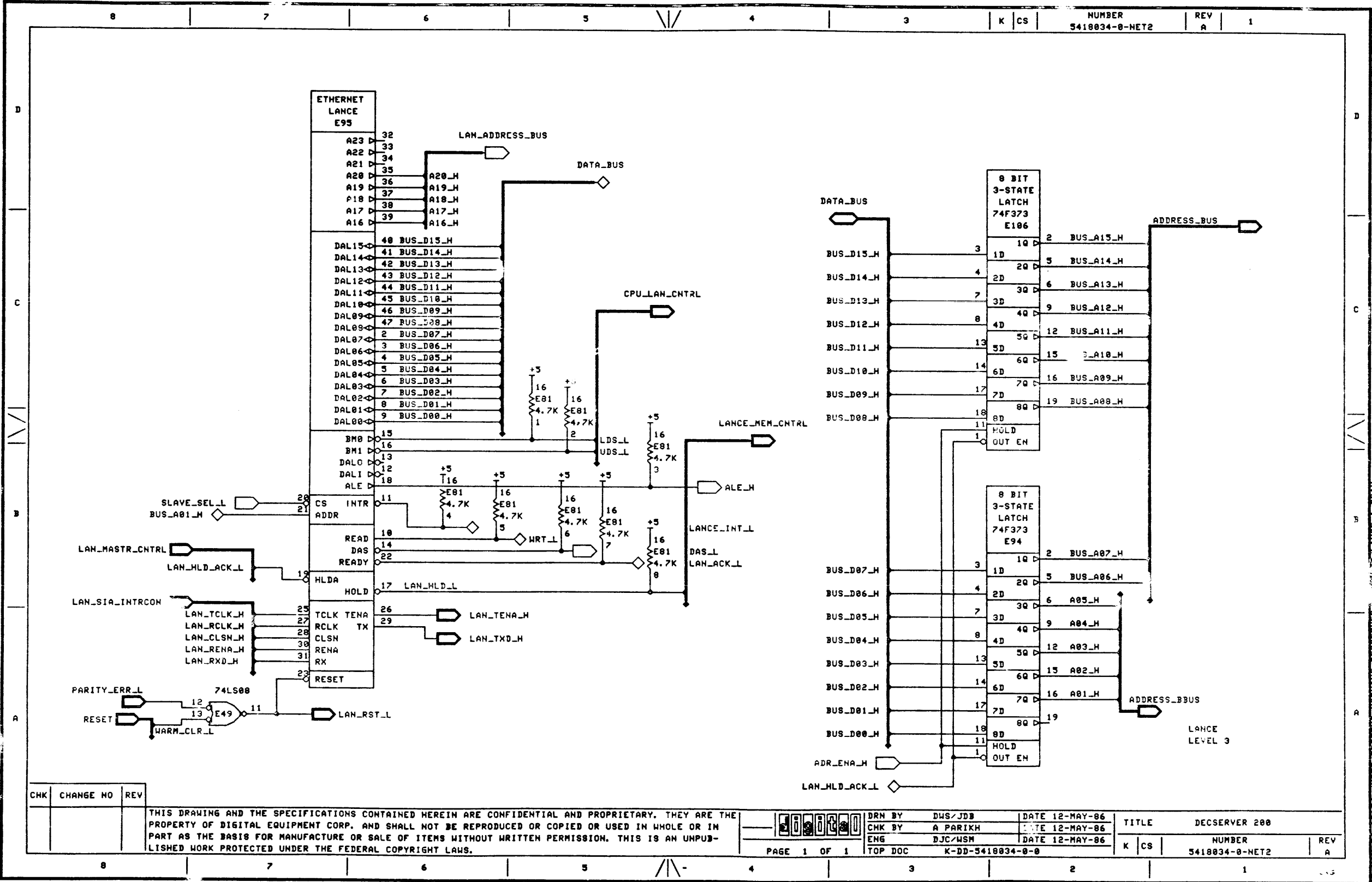
DRN BY	DWS/JDB	DATE	12-MAY-86
CHK BY	A PARIKH	DATE	12-MAY-86
ENG	DJC/WSH	DATE	12-MAY-86
TOP DOC	K-DD-5418834-0-0		

TITLE	DECSE: R 200
NUMBER	5418834-0-NET1

REV	A
-----	---

22 MAY 86 15146 7USER/PROTEUS/HORKING/DECSEKVER/ETHERNET 1. DRAM





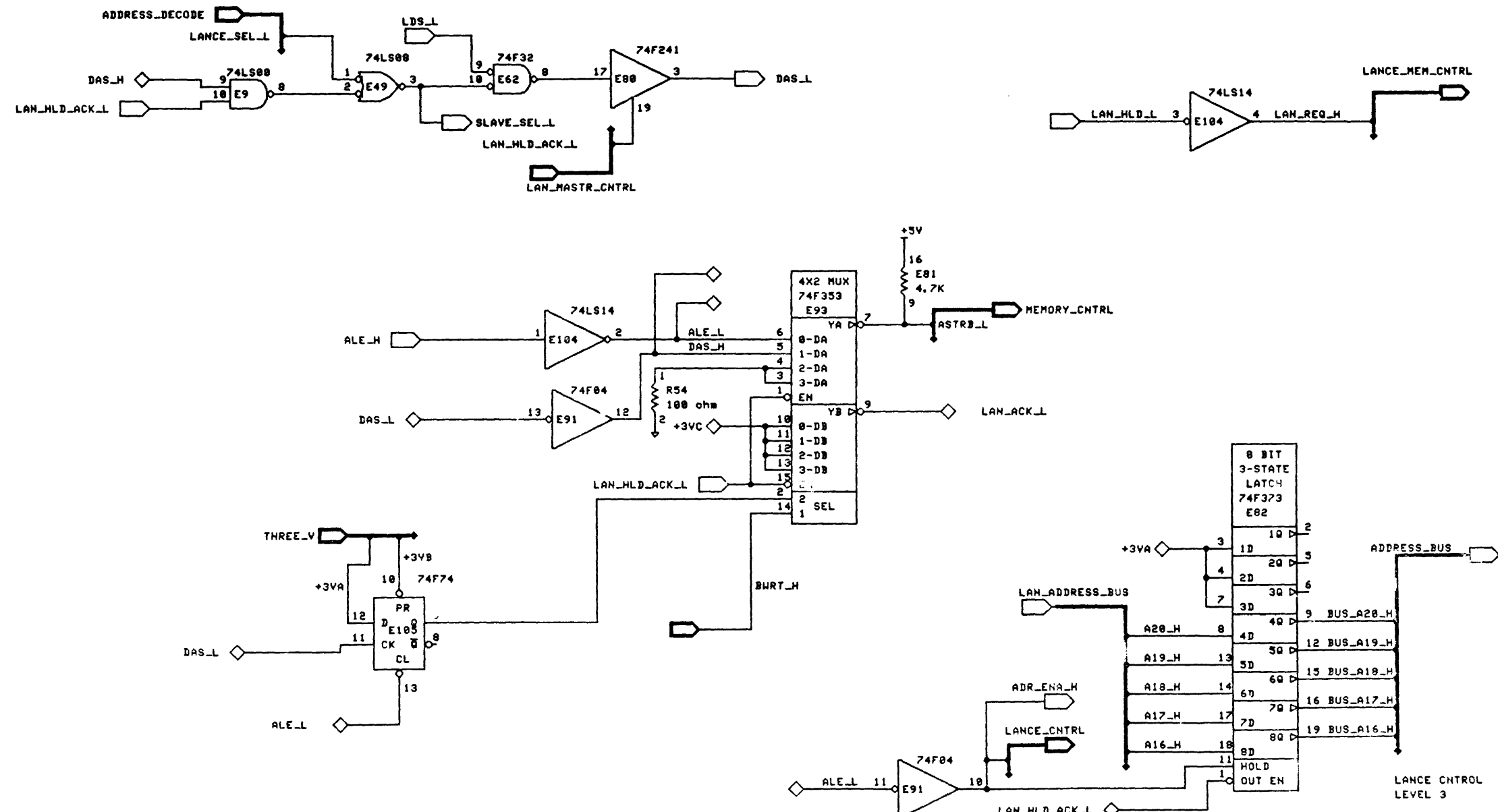
CHK	CHANGE NO	REV

THIS DRAWING AND THE SPECIFICATIONS CONTAINED HEREIN ARE CONFIDENTIAL AND PROPRIETARY. THEY ARE THE PROPERTY OF DIGITAL EQUIPMENT CORP. AND SHALL NOT BE REPRODUCED OR COPIED OR USED IN WHOLE OR IN PART AS THE BASIS FOR MANUFACTURE OR SALE OF ITEMS WITHOUT WRITTEN PERMISSION. THIS IS AN UNPUBLISHED WORK PROTECTED UNDER THE FEDERAL COPYRIGHT LAWS.

DRN BY	DWS/JDB	DATE	12-MAY-86
CHK BY	A PARIKH	DATE	12-MAY-86
ENG	DJC/MSH	DATE	12-MAY-86
TOP DOC	K-DD-5418834-0-0		

TITLE	DECSERVER 200		
NUMBER	5418834-0-NET2		
REV	A		

23 MAY 86 10:24 USER:PROTEUS:WORKING/DECSERVER200/NET2/LANCE\_I.DRAW

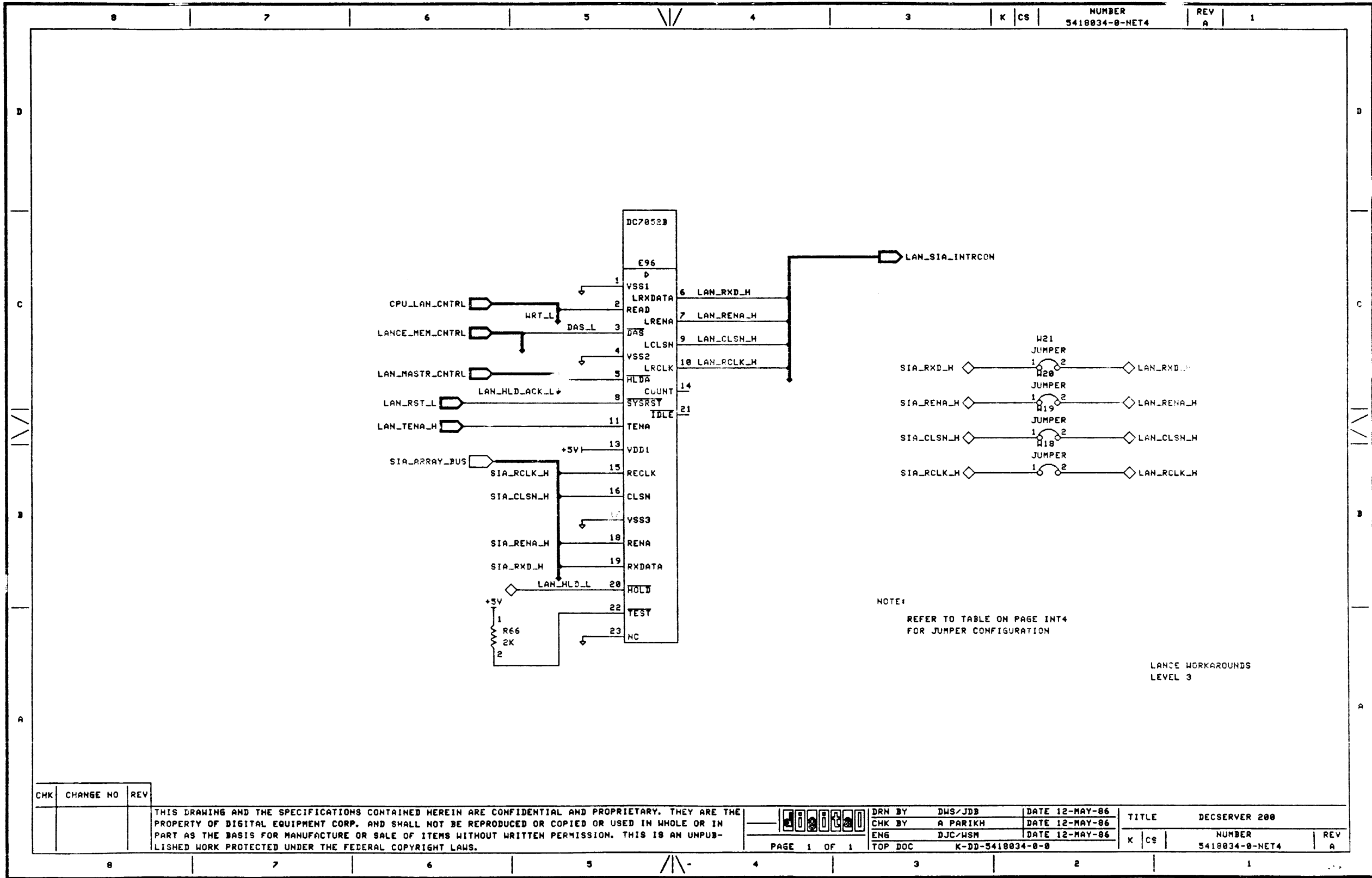


CHK	CHANGE NO	REV

THIS DRAWING AND THE SPECIFICATIONS CONTAINED HEREIN ARE CONFIDENTIAL AND PROPRIETARY. THEY ARE THE PROPERTY OF DIGITAL EQUIPMENT CORP. AND SHALL NOT BE REPRODUCED OR COPIED OR USED IN WHOLE OR IN PART AS THE BASIS FOR MANUFACTURE OR SALE OF ITEMS WITHOUT WRITTEN PERMISSION. THIS IS AN UNPUBLISHED WORK PROTECTED UNDER THE FEDERAL COPYRIGHT LAWS.

DRN BY	DWS/JDB	DATE	12-MAY-86	TITLE	DECSERVER 200
CHK BY	A PARIKH	DATE	12-MAY-86	NUMBER	5418034-0-NET3
ENG	DJC/MSM	DATE	12-MAY-86	REV	A
TOP DOC	K-DD-5418034-0-0				

23 MAY 86 10:25:27 USER:PROTEUS/WORKING/DECSERVER200/NET3/LANCE 2.0.DRAW

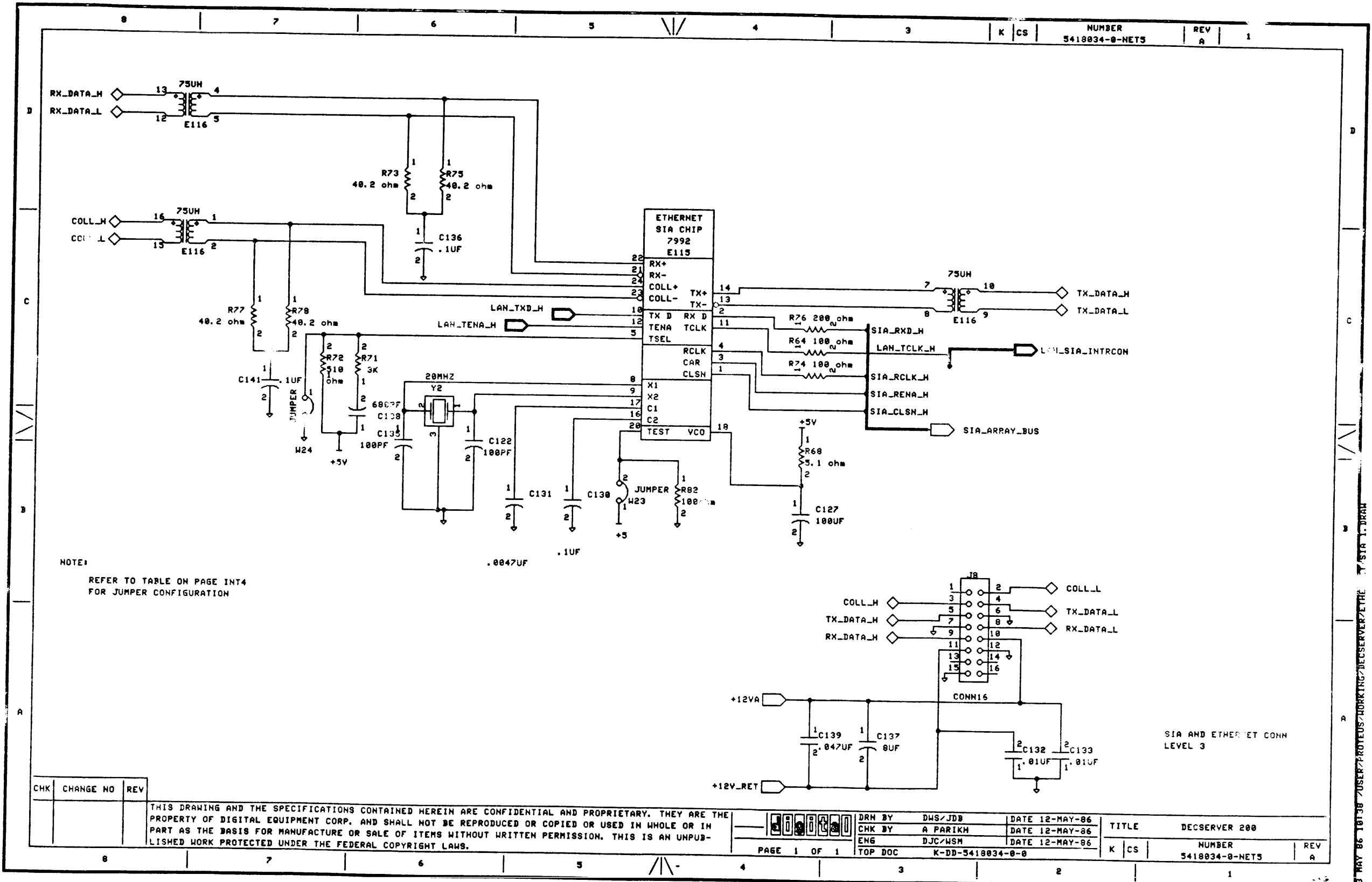


CHK	CHANGE NO	REV

THIS DRAWING AND THE SPECIFICATIONS CONTAINED HEREIN ARE CONFIDENTIAL AND PROPRIETARY. THEY ARE THE PROPERTY OF DIGITAL EQUIPMENT CORP. AND SHALL NOT BE REPRODUCED OR COPIED OR USED IN WHOLE OR IN PART AS THE BASIS FOR MANUFACTURE OR SALE OF ITEMS WITHOUT WRITTEN PERMISSION. THIS IS AN UNPUBLISHED WORK PROTECTED UNDER THE FEDERAL COPYRIGHT LAWS.

DRN BY	DWS/JDB	DATE	12-MAY-86	TITLE	DECSERVER 200
CHK BY	A PARIKH	DATE	12-MAY-86	NUMBER	5418034-0-NET4
ENG	DJC/WSM	DATE	12-MAY-86	REV	A
TOP DOC		K-DD-5418034-0-0		K CS	

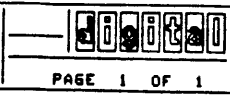
23 MAY 86 18:32 7USER\PROTEUS\WORKING\DECSERVER\ETHERNET\PSIA 4.DRAW



NOTE:  
REFER TO TABLE ON PAGE INT4  
FOR JUMPER CONFIGURATION

CHK	CHANGE NO	REV

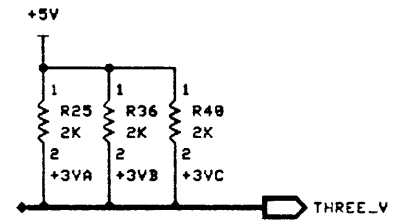
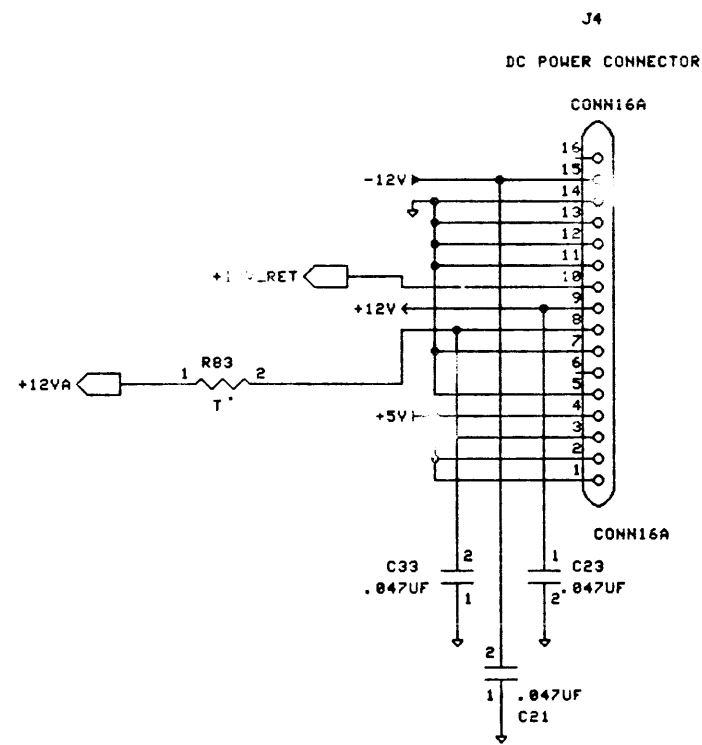
THIS DRAWING AND THE SPECIFICATIONS CONTAINED HEREIN ARE CONFIDENTIAL AND PROPRIETARY. THEY ARE THE PROPERTY OF DIGITAL EQUIPMENT CORP. AND SHALL NOT BE REPRODUCED OR COPIED OR USED IN WHOLE OR IN PART AS THE BASIS FOR MANUFACTURE OR SALE OF ITEMS WITHOUT WRITTEN PERMISSION. THIS IS AN UNPUBLISHED WORK PROTECTED UNDER THE FEDERAL COPYRIGHT LAWS.



DRM BY	DWS/JDB	DATE	12-MAY-86
CHK BY	A PARIKH	DATE	12-MAY-86
ENG	DJC/WSM	DATE	12-MAY-86
TOP DOC	K-DD-5418034-0-0		

TITLE	DECSERVER 200
NUMBER	5418034-0-NETS
REV	A

23 MAY 86 10:38 / USER:PROTEUS/WORKING/DECSERVER/ETHE / SIA 1.DRAW



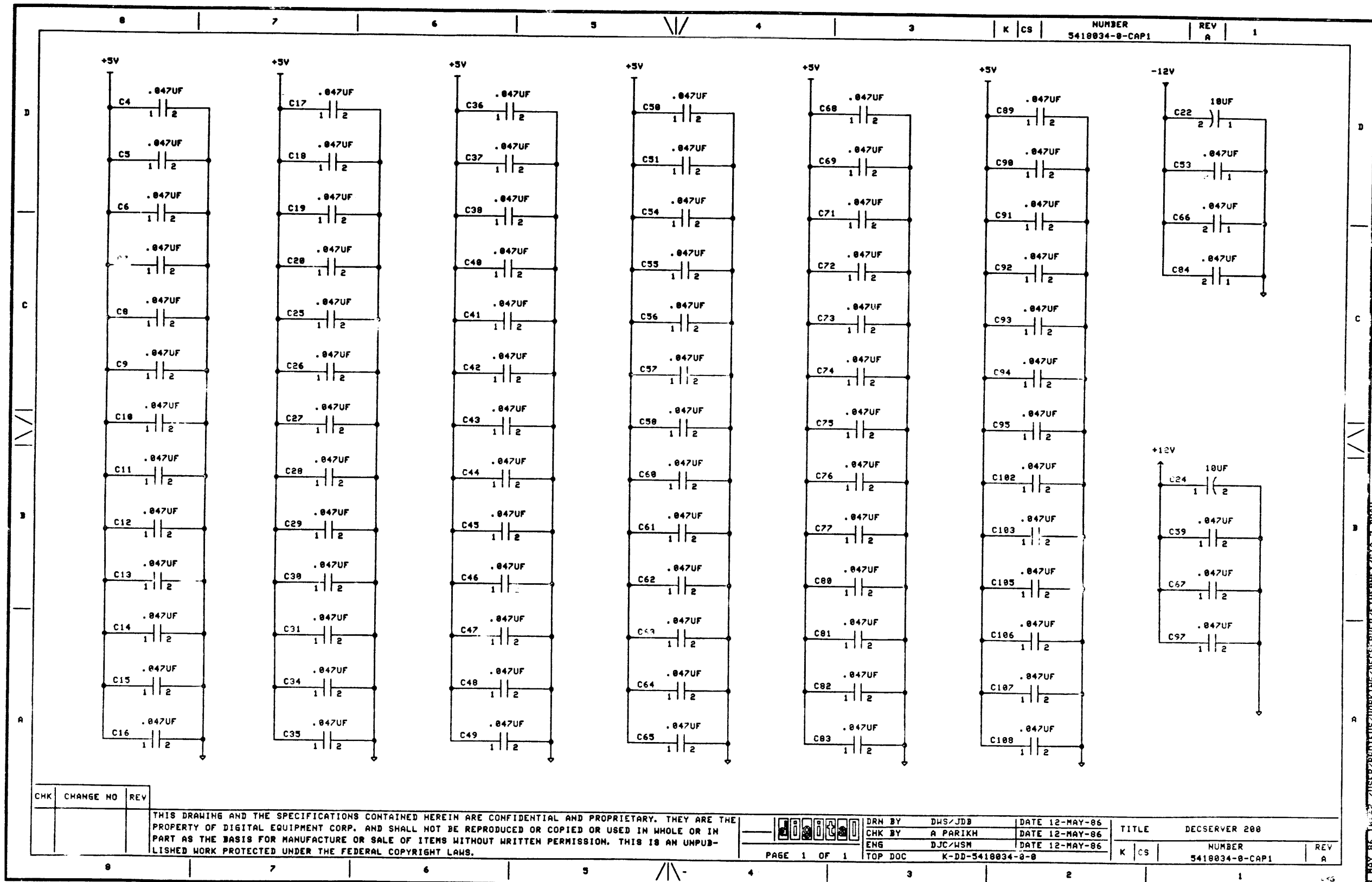
CHK	CHANGE NO	REV

THIS DRAWING AND THE SPECIFICATIONS CONTAINED HEREIN ARE CONFIDENTIAL AND PROPRIETARY. THEY ARE THE PROPERTY OF DIGITAL EQUIPMENT CORP. AND SHALL NOT BE REPRODUCED OR COPIED OR USED IN WHOLE OR IN PART AS THE BASIS FOR MANUFACTURE OR SALE OF ITEMS WITHOUT WRITTEN PERMISSION. THIS IS AN UNPUBLISHED WORK PROTECTED UNDER THE FEDERAL COPYRIGHT LAWS.

DRN BY	DWS/JDB	DATE	12-MAY-86
CHK BY	A PARIKH	DATE	12-MAY-86
ENG	DJC/MSM	DATE	12-MAY-86
TOP DOC	5418834-0-0		

TITLE	DECSERVER 200
NUMBER	5418834-0-PWR
REV	A

23 MAY 86 10:35 70564 PROTEUS/WORKING/DECSERVER/ETHERNET/5418834-0-PWR.DRAW



CHK	CHANGE NO	REV

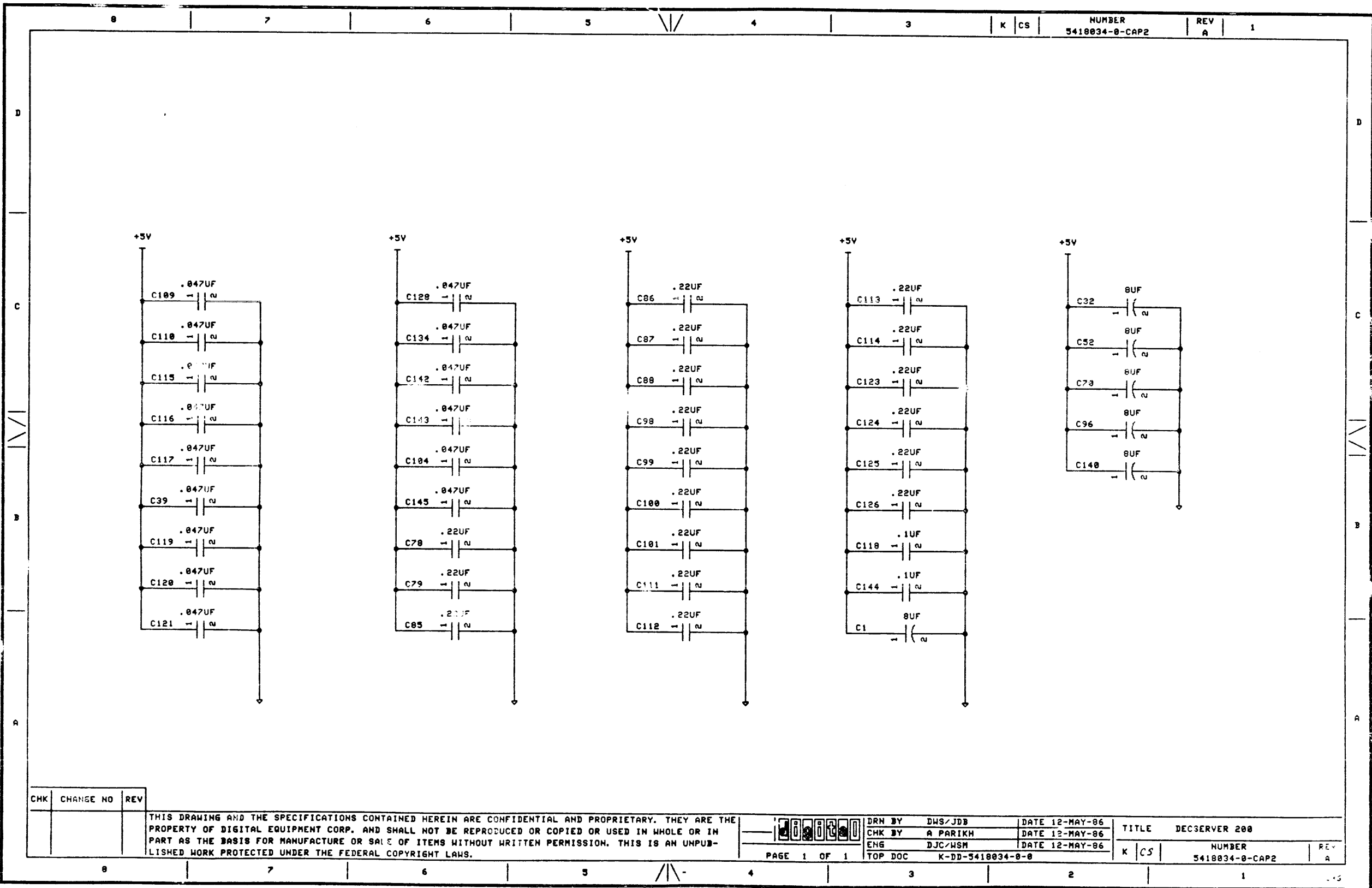
THIS DRAWING AND THE SPECIFICATIONS CONTAINED HEREIN ARE CONFIDENTIAL AND PROPRIETARY. THEY ARE THE PROPERTY OF DIGITAL EQUIPMENT CORP. AND SHALL NOT BE REPRODUCED OR COPIED OR USED IN WHOLE OR IN PART AS THE BASIS FOR MANUFACTURE OR SALE OF ITEMS WITHOUT WRITTEN PERMISSION. THIS IS AN UNPUBLISHED WORK PROTECTED UNDER THE FEDERAL COPYRIGHT LAWS.



DRN BY DHS/JDB  
 CHK BY A PARIKH  
 ENG DJC/HSM  
 DATE 12-MAY-86  
 DATE 12-MAY-86  
 DATE 12-MAY-86

TITLE DECserver 200  
 NUMBER 5418034-0-CAP1  
 REV A

13 MAY 86 16:52 USER/PROTEUS/WORKING/DEC/SERVER200/THERNET/STA 2: DRAM



CHK	CHANGE NO	REV

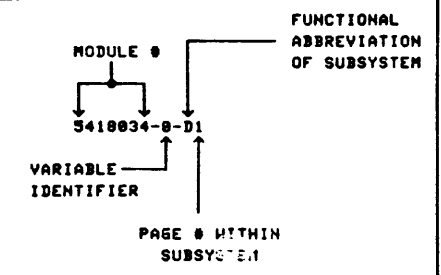
THIS DRAWING AND THE SPECIFICATIONS CONTAINED HEREIN ARE CONFIDENTIAL AND PROPRIETARY. THEY ARE THE PROPERTY OF DIGITAL EQUIPMENT CORP. AND SHALL NOT BE REPRODUCED OR COPIED OR USED IN WHOLE OR IN PART AS THE BASIS FOR MANUFACTURE OR SALE OF ITEMS WITHOUT WRITTEN PERMISSION. THIS IS AN UNPUBLISHED WORK PROTECTED UNDER THE FEDERAL COPYRIGHT LAWS.

PAGE 1 OF 1

DRN BY	DWS/JDB	DATE	12-MAY-86
CHK BY	A PARIKH	DATE	12-MAY-86
ENG	DJC/WSM	DATE	12-MAY-86
TOP DOC	K-DD-5418034-0-0		

TITLE	DECSERVER 200
NUMBER	5418034-0-CAP2
REV	A

25 MAY 86 10:44 USER:PROTEUS/MORNING/DECSERVER200/FILE:751A.DRAW



CONNECTOR TYPE			DISCRIPTION
			1. USED WHEN A SIGNAL NEEDS TO BE SENT FROM ONE PART OF A PAGE TO ANOTHER WITHOUT THE USE OF A WIRE 2. IF THE SIGNAL HAS ALREADY BEEN BROUGHT ON TO THE PAGE BY ANOTHER CONNECTOR.
			1. FINGER PIN CONNECTOR.
			1. BRINGS A SINGLE SIGNAL FROM OR TO A HIGHER LEVEL DRAWING.
			1. BRINGS A GROUP OF SIGNALS THROUGH ONE BUS FROM OR TO A HIGHER LEVEL DRAWING.
			1. BRINGS A SINGLE SIGNAL FROM PAGE TO PAGE WITHIN THE SAME MODULE.
			1. BRINGS A GROUP OF SIGNALS THROUGH A BUS FROM PAGE TO PAGE WITHIN THE SAME MODULE.

CHK	CHANGE NO	REV

THIS DRAWING AND THE SPECIFICATIONS CONTAINED HEREIN ARE CONFIDENTIAL AND PROPRIETARY. THEY ARE THE PROPERTY OF DIGITAL EQUIPMENT CORP. AND SHALL NOT BE REPRODUCED OR COPIED OR USED IN WHOLE OR IN PART AS THE BASIS FOR MANUFACTURE OR SALE OF ITEMS WITHOUT WRITTEN PERMISSION. THIS IS AN UNPUBLISHED WORK PROTECTED UNDER THE FEDERAL COPYRIGHT LAWS.

DRN BY	DWS/JDB	DATE	12-MAY-86	TITLE	DECSERVER 200
CHK BY	A PARI	DATE	12-MAY-86	NUMBER	5418034-0-D1
ENG	DJC/NSH	DATE	12-MAY-86	REV	A
PAGE	1 OF 1	TOP DOC	K-DD-5418034-0-0		

23 MAY 86 10:49 USER:PROTEUS/WORKING/NECS: NEW BORN: DRAN



NOTE: THIS IS ONE OF TWO PAGES WHICH  
DEFINES THE CONTENTS OF EACH  
BUNDLE USED IN THE PRINT SET  
FOR THE 5418034 MODULE

BUNDLE NAME	CONTENTS OF BUNDLE
ADDRESS_BBUS	A01_H, A02_H, A03_H, A04_H & A05_H
ADDRESS_BUS	BUS_A01_H ..... BUS_A20_H
ADDRESS_DECODE	DATA_ACK_L, PAL_STATE_2_L, DUART0_SEL_L, DUART1_SEL_L, DUART2_SEL_L, DUART3_SEL_L, MODEM_SEL_L, LANCE_SEL_L, ROM_SEL_L, ADR_PROM_SEL_L, BBUS_ENA_L, EEPROM_SEL_L, CONFIG_LAT_L & DECODE_ENA_L
BDATA_BUS	BBUS_D00_H ..... BBUS_D15_H
CD	CD0_L, CD1_L, CD2_L, CD3_L, CD4_L, CD5_L, CD6_L & CD7_L
CPU_LAN_CNTRL	UDS_L, LDS_L & WRT_L
CPU_MASTR_CNTRL	BR_L & BGACK_L
DATA_BUS	BUS_D00_H ..... BUS_D15_H
DIAG_BUS	SYNC_H & BIT1_H ..... BIT7_H
DSR	DSR0_L ..... DSR7_L
DSRS	DSRS0_L ..... DSR7_L
DTR	DTR0_L ..... DTR7_L
EIA_TIMER_INT	RXINT0_L ..... RXINT7_L, TXINT0_L ..... TXINT7_L, REFRESH_TIM_L, GENERAL_TIM_L & CTS_PROC_INTR_L
INTR_CNTRL	IPL0_L, IPL1_L & IPL2_L
LAN_ADDRESS_BUS	A16_H ..... A20_H
LAN_MASTR_CNTRL	LAN_HLD_ACK_L & LAN_HLD_ACK_H
LAN_SIA_INTRCON	LAN_TCLK_H, LAN_RENA_H, LAN_CLSN_H, LAN_RXD_H & LAN_RCLK_H
LANCE_CNTRL	LAN_ACK_L & ADR_ENA_H
LANCE_MEM_CNTRL	LANCE_INT_L, DAS_L, ALE_H, LAN_REQ_H & LAN_HLD_L
LED	POWER_LED_L, DIAG_LED_L, SOFT_LED_L & CARR_LED_L
MEM_ADDRESS_BUS	MA1_L ..... MA8_L
MEM_BANK_SEL	BANK0_SEL_L, BANK1_SEL_L, BANK0_WRT_L & BANK1_WRT_L
MEM_BANK_SEL1	BANK2_SEL_L, BANK3_SEL_L, BANK2_WRT_L & BANK3_WRT_L
MEMORY_CNTRL	BUDS_L, BLDS_L, BWRT_L, ASTRB_L, BASTRB_L, BASTRB_H, BUDS_H, BLDS_H, INTR_ACK_L & B_ENA_L
MOD_IN	P_CTS0_L ..... P_CTS7_L, P_RI0_L ..... P_RI7_L, P_DSR0_L ..... P_DSR7_L, P_SMI0_L ..... P_SMI7_L & P_CD0_L ..... P_CD7_L
MOD_OUT	P_RTS0_L ..... P_RTS7_L, P_DTR0_L ..... P_DTR7_L, P_DSRS0_L ..... P_DSRS7_L & 2VREF_H
MOD_PROC_INTR	DSR_PROC_INTR_L, CD_PROC_INTR_L, RI_PROC_INTR_L & SMI_PROC_INTR_L
MODEM_IN	P_RI0_L ..... P_RI7_L, P_SMI0_L ..... P_SMI7_L, P_CD0_L ..... P_CD7_L & P_CTS0_L ..... P_CTS7_L
MODEM_OUT	P_DSRS0_L ..... P_DSRS7_L, P_DTR0_L ..... P_DTR7_L & P_RTS0_L ..... P_RTS7_L

CHK	CHANGE NO	REV

THIS DRAWING AND THE SPECIFICATIONS CONTAINED HEREIN ARE CONFIDENTIAL AND PROPRIETARY. THEY ARE THE PROPERTY OF DIGITAL EQUIPMENT CORP. AND SHALL NOT BE REPRODUCED OR COPIED OR USED IN WHOLE OR IN PART AS THE BASIS FOR MANUFACTURE OR SALE OF ITEMS WITHOUT WRITTEN PERMISSION. THIS IS AN UNPUBLISHED WORK PROTECTED UNDER THE FEDERAL COPYRIGHT LAWS.

23 MAY 86 10:51 USER:PROTEUS/HORKING/DECS. FOR CONTENTS FILE

NOTE: CONTINUATION OF FIRST PAGE WHICH  
 DEFINES THE CONTENTS OF EACH  
 BUNDLE USED IN THE PRINT SET  
 FOR THE 5418034 MODULE

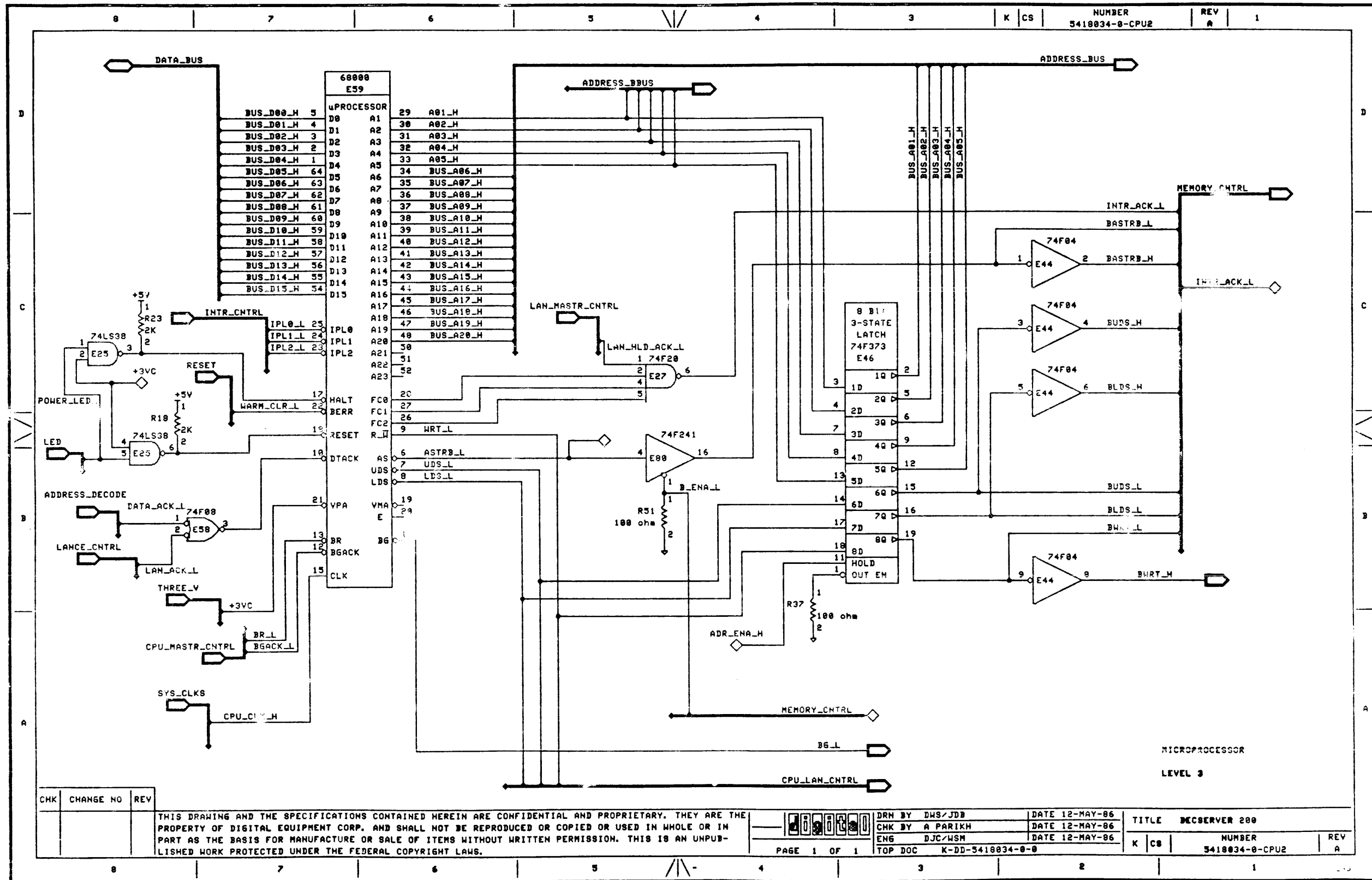
BUNDLE NAME	CONTENTS OF BUNDLE
PARITY_CNTRL	EEPROM_WRT_H, SET_LBT_PAR_L, SET_HBT_PAR_L & PAR_DIS_L
RAM_CNTRL	HBT_RAS_L, HBT_CAS_L, LBT_RAS_L, LBT_CAS_L & RAM_SEL_L
RCVDATA	RX0_L ..... RX7_L
RESET	CLR_L, WARM_CLR_L, WARM_START_L, WARM_CLR_H & EEPROM_CLR_L
RESET_CNTRL	RESET_DIS_H, WARM_STRT_CLR_H, RAM_ENA_L, TST_MOD_H & POWER_FAIL_L
RI	RI0_L ..... RI7_L
RTS	RTS0_L ..... RTS7_L
RXD	RXD0_L ..... RXD7_L
SIA_ARRAY_BUS	SIA_RXD_H, SIA_RCLK_H, SIA_RENA_H & SIA_CLSN_H
SHI	SHI0_L ..... SHI7_L
SYS_CLKS	DUART_CLK_H, CPU_CLK_H, CPU_CLK_L & TIMER_CLK_H
THREE_V	+3VA, +3VB & +3VC
TXD	TXD0_L ..... TXD7_L
XMTDATA	TX0_L ..... TX7_L

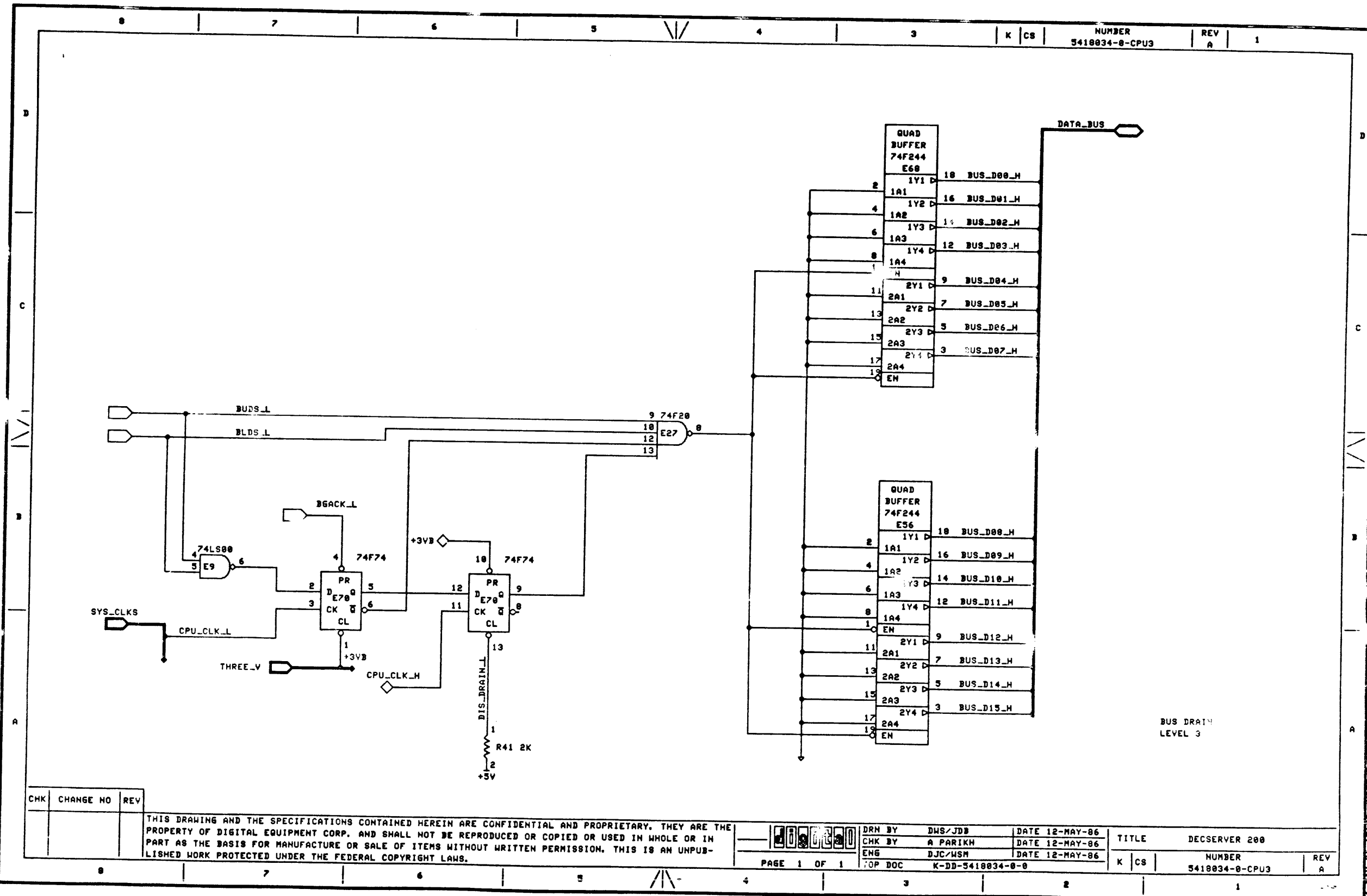
CHK	CHANGE NO	REV

THIS DRAWING AND THE SPECIFICATIONS CONTAINED HEREIN ARE CONFIDENTIAL AND PROPRIETARY. THEY ARE THE PROPERTY OF DIGITAL EQUIPMENT CORP. AND SHALL NOT BE REPRODUCED OR COPIED OR USED IN WHOLE OR IN PART AS THE BASIS FOR MANUFACTURE OR SALE OF ITEMS WITHOUT WRITTEN PERMISSION. THIS IS AN UNPUBLISHED WORK PROTECTED UNDER THE FEDERAL COPYRIGHT LAWS.

DRN BY	DWS/JDB	DATE	12-MAY-86	TITLE	DECSERVER 200
CHK BY	A PARIKH	DATE	12-MAY-86	NUMBER	5418034-0-D3
ENG	DJC/WSH	DATE	12-MAY-86	REV	A
TOP DOC	K-DD-5418034-0-0				

ER2PROTEUS/WORK/INC/DECSERVER CONTENTS.PLT  
 23 MAY 86 10:03



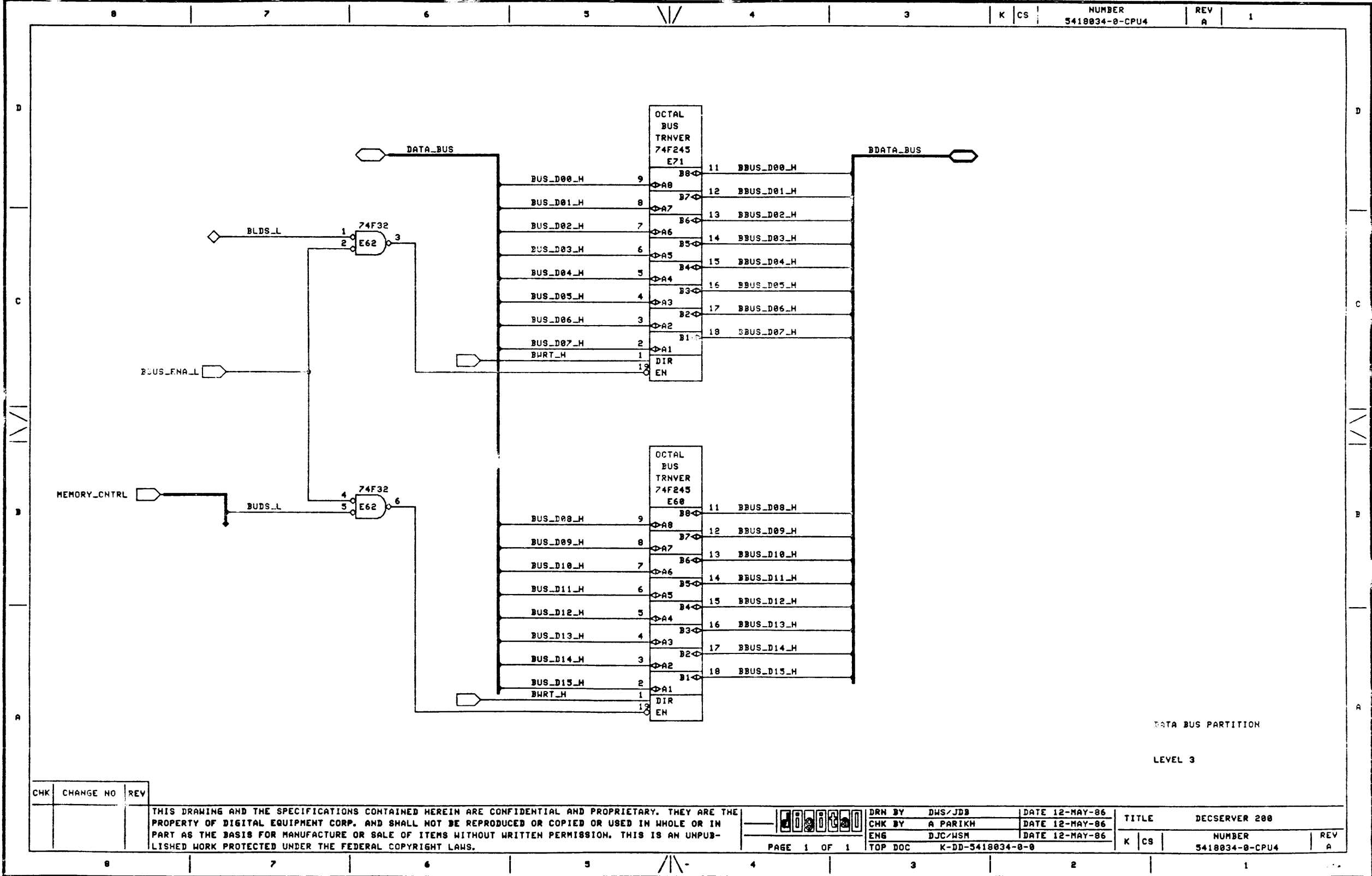


CHK	CHANGE NO	REV

THIS DRAWING AND THE SPECIFICATIONS CONTAINED HEREIN ARE CONFIDENTIAL AND PROPRIETARY. THEY ARE THE PROPERTY OF DIGITAL EQUIPMENT CORP. AND SHALL NOT BE REPRODUCED OR COPIED OR USED IN WHOLE OR IN PART AS THE BASIS FOR MANUFACTURE OR SALE OF ITEMS WITHOUT WRITTEN PERMISSION. THIS IS AN UNPUBLISHED WORK PROTECTED UNDER THE FEDERAL COPYRIGHT LAWS.

DRN BY	DWS/JDB	DATE	12-MAY-86	TITLE	DECSEVER 200
CHK BY	A PARIKH	DATE	12-MAY-86	NUMBER	5418834-8-CPU3
ENG	DJC/MSM	DATE	12-MAY-86	REV	A
POP DOC	K-DD-5418834-8-0				

21 MAY 86 15:28 / USER:PROTEUS/WORKING/DECSEA CPU3:JUST57PROC E:DRAM



DATA BUS PARTITION  
LEVEL 3

CHK	CHANGE NO	REV

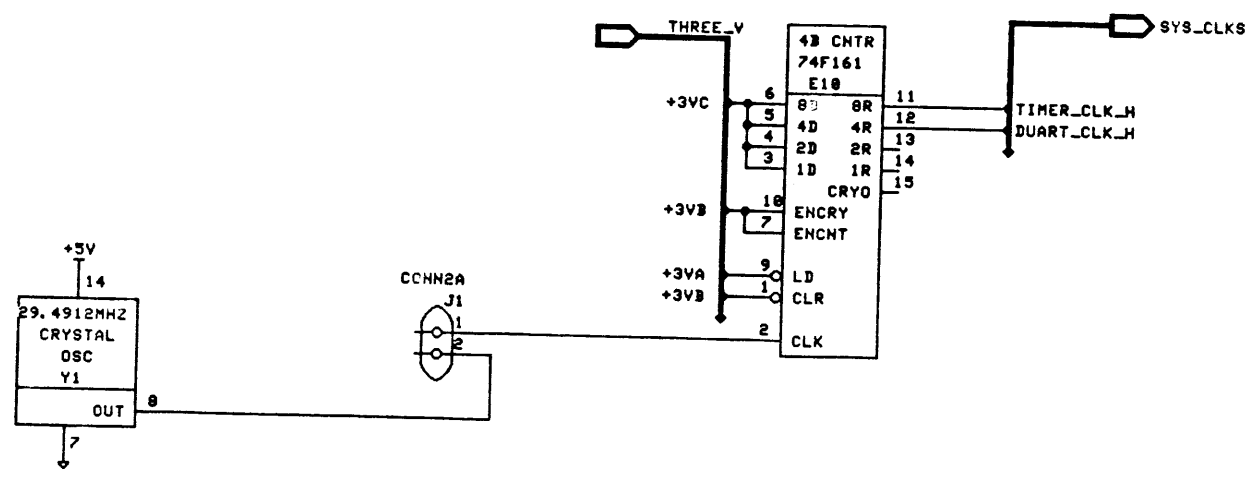
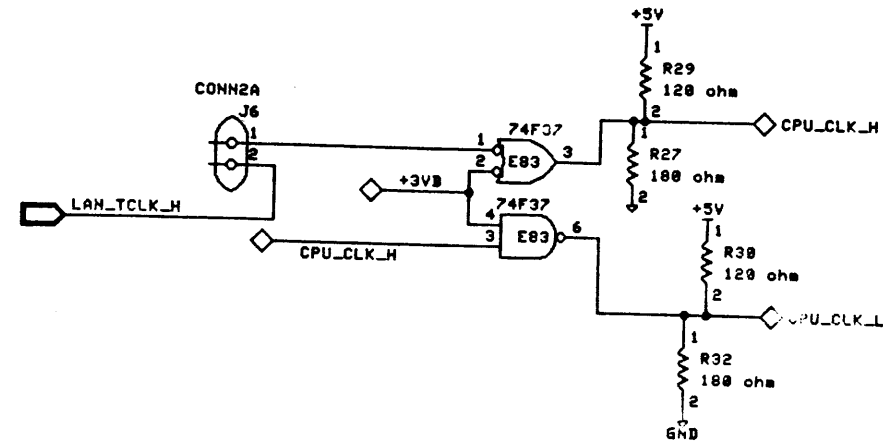
THIS DRAWING AND THE SPECIFICATIONS CONTAINED HEREIN ARE CONFIDENTIAL AND PROPRIETARY. THEY ARE THE PROPERTY OF DIGITAL EQUIPMENT CORP. AND SHALL NOT BE REPRODUCED OR COPIED OR USED IN WHOLE OR IN PART AS THE BASIS FOR MANUFACTURE OR SALE OF ITEMS WITHOUT WRITTEN PERMISSION. THIS IS AN UNPUBLISHED WORK PROTECTED UNDER THE FEDERAL COPYRIGHT LAWS.

DRN BY	DWS/JDB	DATE	12-MAY-86	TITLE	DECSERVER 200
CHK BY	A PARIKH	DATE	12-MAY-86	K	CS
ENG	DJC/HSM	DATE	12-MAY-86	NUMBER	5418034-0-CPU4
TOP DOC	K-DD-5418034-0-0	REV	A		

Z:\MAY 86 15:38 \7USER\PROTEUS\WORKING\DECSERVER\CPU...S\SYSTEM\PROC 3.DRAW

CPU\_CLK\_H 10MHZ  
 CPU\_CLK\_L 10MHZ  
 TIMER\_CLK\_H 1.84MHZ  
 DUART\_CLK\_H 3.68MHZ

NOTE:  
 COMPONENT 12-14314-00  
 IS INSERTED ON J1 &  
 J6 AFTER FF333 TESTING



SYSTEM CLOCKS  
 LEVEL 3

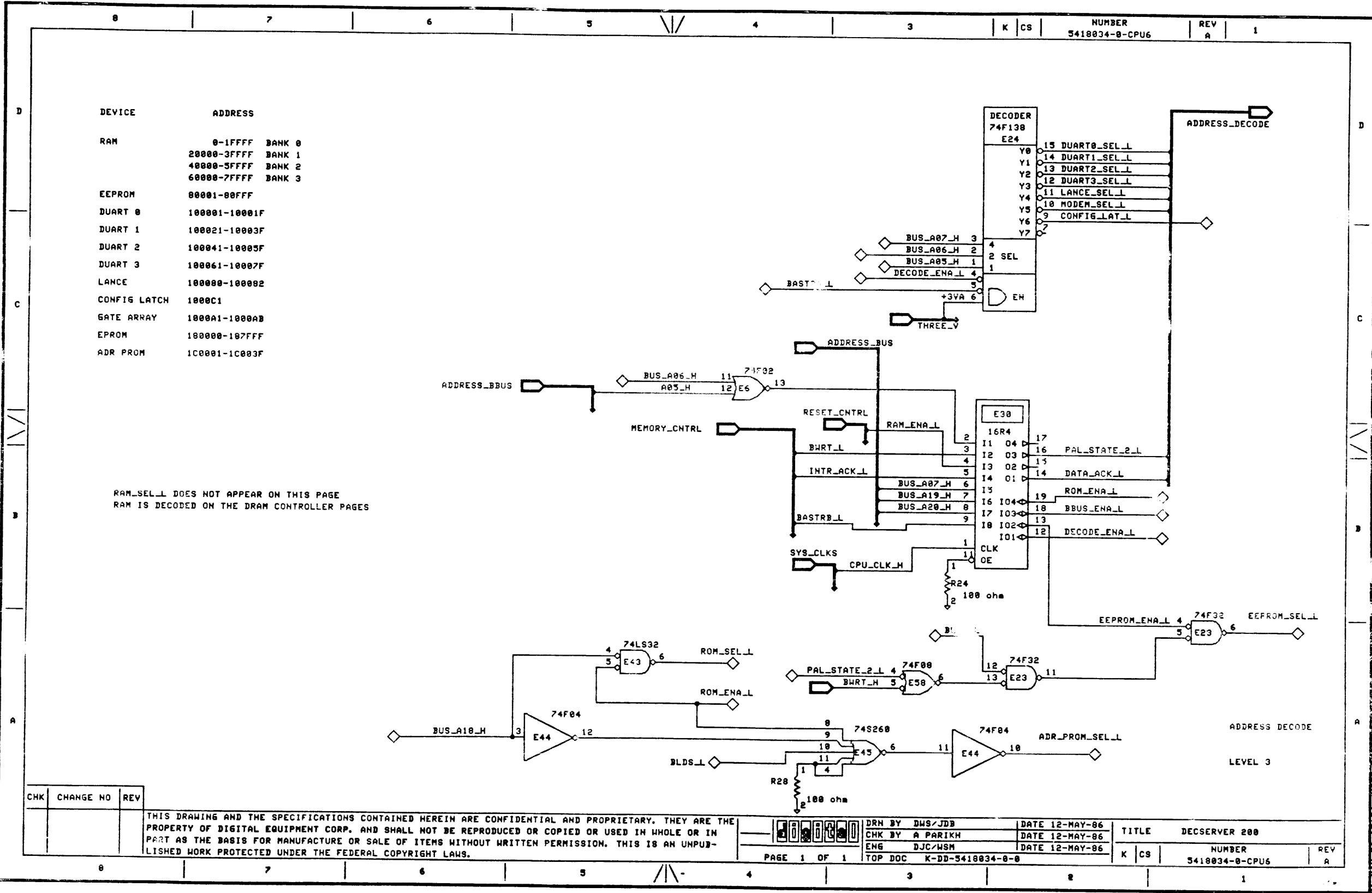
CHK	CHANGE NO	REV

THIS DRAWING AND THE SPECIFICATIONS CONTAINED HEREIN ARE CONFIDENTIAL AND PROPRIETARY. THEY ARE THE PROPERTY OF DIGITAL EQUIPMENT CORP. AND SHALL NOT BE REPRODUCED OR COPIED OR USED IN WHOLE OR IN PART AS THE BASIS FOR MANUFACTURE OR SALE OF ITEMS WITHOUT WRITTEN PERMISSION. THIS IS AN UNPUBLISHED WORK PROTECTED UNDER THE FEDERAL COPYRIGHT LAWS.

DRN BY	DWS/JDB	DATE	12-MAY-86	TITLE	DECSERVER 200
CHK BY	A PARIKH	DATE	12-MAY-86	NUMBER	5418034-0-CPU5
ENG	DJC/MSM	DATE	12-MAY-86	REV	A
TOP DOC	K-DD-5418034-0-0				

PAGE 1 OF 1

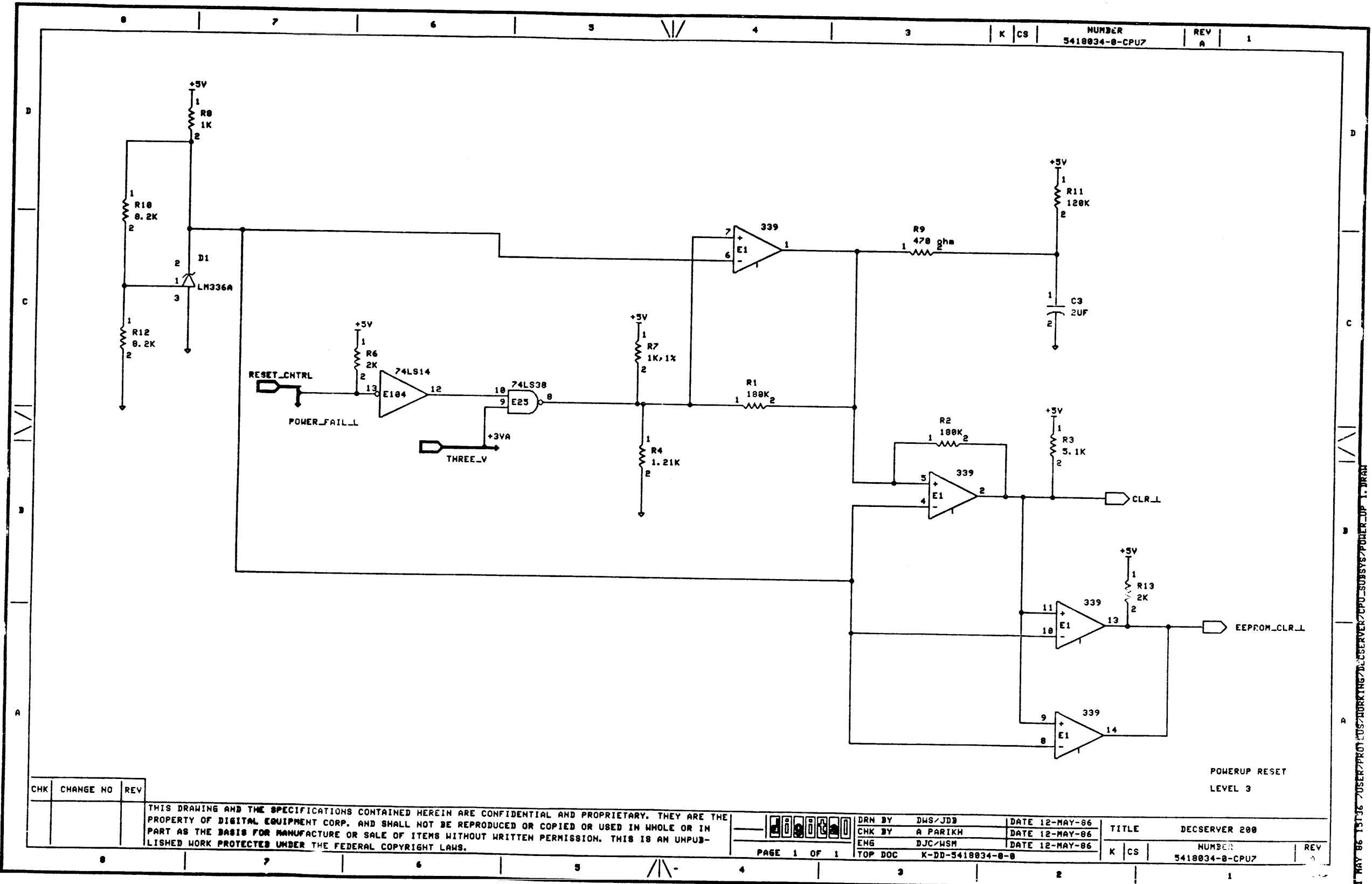
21 MAY 86 15:32 705L77PROTEUS/WORKING/DECS/200/SUBSYS/CLOCKS 1.DRAW



RAM\_SEL\_L DOES NOT APPEAR ON THIS PAGE  
RAM IS DECODED ON THE DRAM CONTROLLER PAGES

THIS DRAWING AND THE SPECIFICATIONS CONTAINED HEREIN ARE CONFIDENTIAL AND PROPRIETARY. THEY ARE THE PROPERTY OF DIGITAL EQUIPMENT CORP. AND SHALL NOT BE REPRODUCED OR COPIED OR USED IN WHOLE OR IN PART AS THE BASIS FOR MANUFACTURE OR SALE OF ITEMS WITHOUT WRITTEN PERMISSION. THIS IS AN UNPUBLISHED WORK PROTECTED UNDER THE FEDERAL COPYRIGHT LAWS.

21 MAY 86 10:14 USER:PROTEUS/WORKING/DEC/SERVER/CPU6...SYADD/DECODE L3.DRN



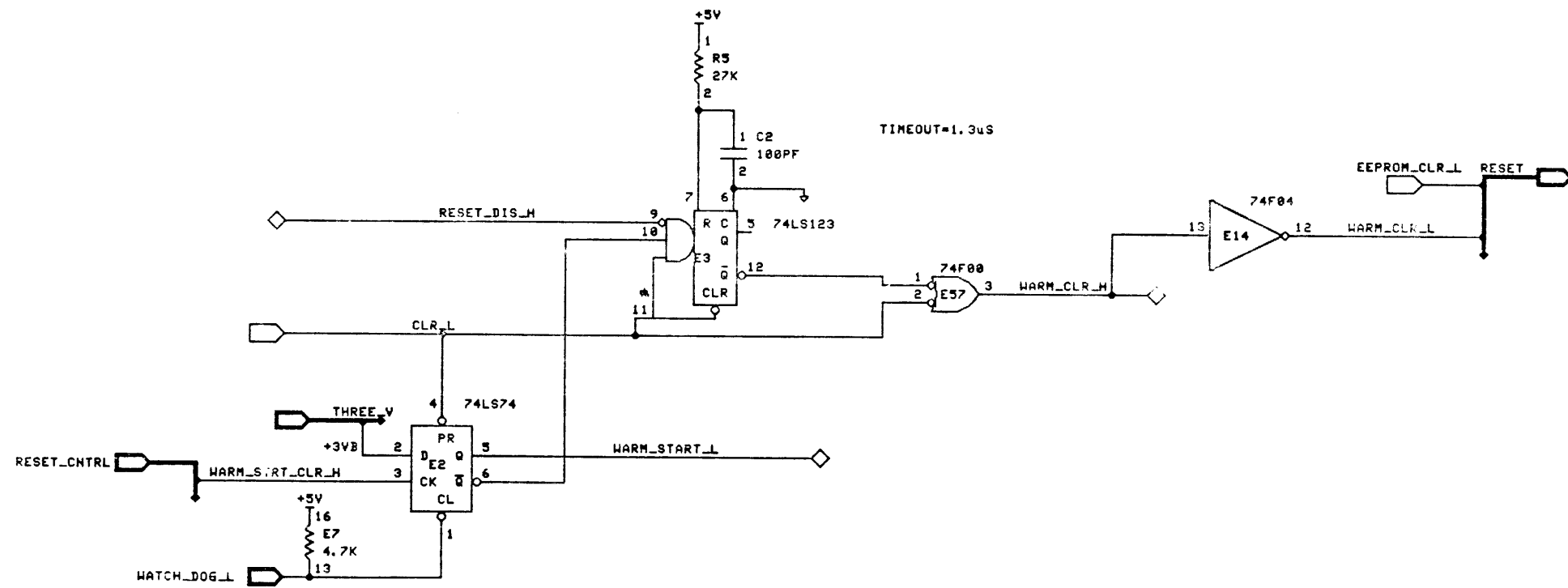
CHK	CHANGE NO	REV

THIS DRAWING AND THE SPECIFICATIONS CONTAINED HEREIN ARE CONFIDENTIAL AND PROPRIETARY. THEY ARE THE PROPERTY OF DIGITAL EQUIPMENT CORP. AND SHALL NOT BE REPRODUCED OR COPIED OR USED IN WHOLE OR IN PART AS THE BASIS FOR MANUFACTURE OR SALE OF ITEMS WITHOUT WRITTEN PERMISSION. THIS IS AN UNPUBLISHED WORK PROTECTED UNDER THE FEDERAL COPYRIGHT LAWS.

DRN BY	DWS/JDB	DATE	12-MAY-86	TITLE	DECSERVER 200
CHK BY	A PARIKH	DATE	12-MAY-86	NUMBER	5418034-8-CPU7
ENG	DJC/WSM	DATE	12-MAY-86	REV	1
TOP DOC	K-DD-5418034-8-0				

E1 MAY 86 15:36 7USER/PROT EDS/WORKING/DECSERVER/CPU-SUBSYS/POWER-UP 1. DRN





WARM START RESET  
LEVEL 3

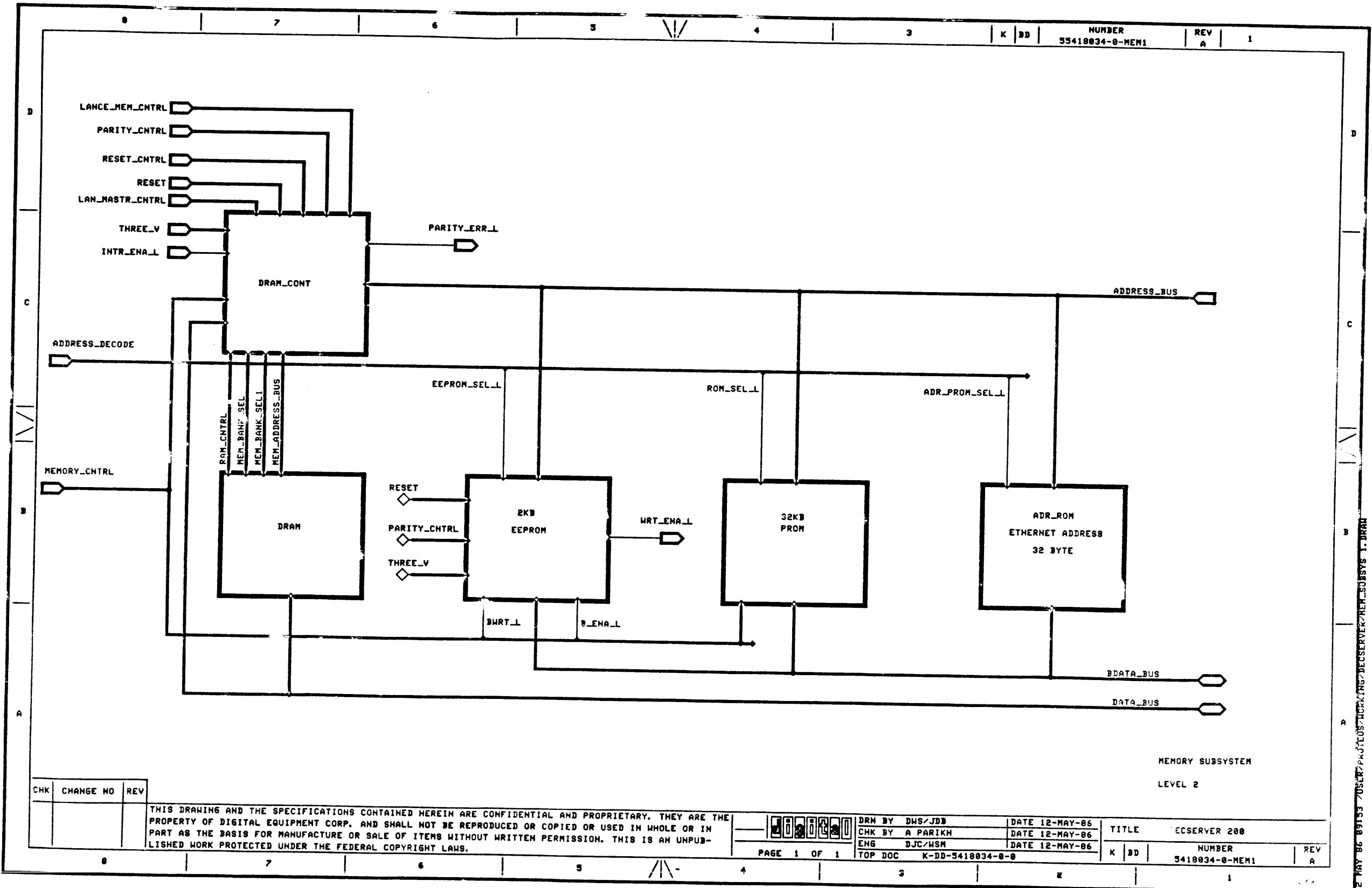
CHK	CHAR	NO	REV

THIS DRAWING AND THE SPECIFICATIONS CONTAINED HEREIN ARE CONFIDENTIAL AND PROPRIETARY. THEY ARE THE PROPERTY OF DIGITAL EQUIPMENT CORP. AND SHALL NOT BE REPRODUCED OR COPIED OR USED IN WHOLE OR IN PART AS THE BASIS FOR MANUFACTURE OR SALE OF ITEMS WITHOUT WRITTEN PERMISSION. THIS IS AN UNPUBLISHED WORK PROTECTED UNDER THE FEDERAL COPYRIGHT LAWS.

PAGE 1 OF 1

DRN BY	DWS/JDB	DATE	12-MAY-86
CHK BY	A PARIKH	DATE	12-MAY-86
ENG	DJC/WSH	DATE	12-MAY-86
TOP DOC	K-DD-5418034-0-0		

TITLE	DECSERVER 200		
NUMBER	5418034-0-CPU8	REV	A



NUMBER 55418834-0-MEM1 REV A 1

CHK	CHANGE NO	REV

THIS DRAWING AND THE SPECIFICATIONS CONTAINED HEREIN ARE CONFIDENTIAL AND PROPRIETARY. THEY ARE THE PROPERTY OF DIGITAL EQUIPMENT CORP. AND SHALL NOT BE REPRODUCED OR COPIED OR USED IN WHOLE OR IN PART AS THE BASIS FOR MANUFACTURE OR SALE OF ITEMS WITHOUT WRITTEN PERMISSION. THIS IS AN UNPUBLISHED WORK PROTECTED UNDER THE FEDERAL COPYRIGHT LAWS.

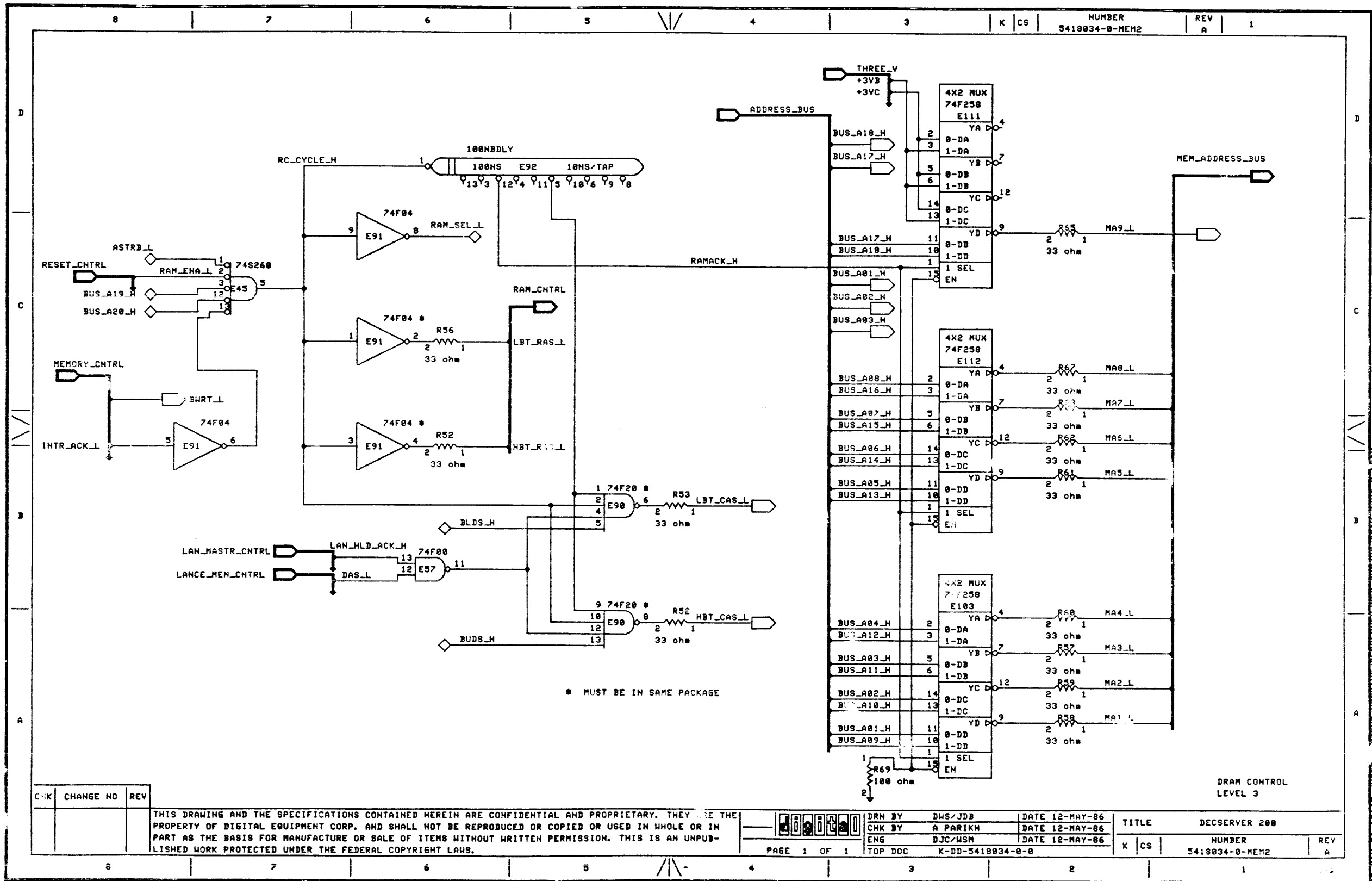
DRM BY DNS/JDB  
 CHK BY A PARIKH  
 ENG DJC/MSM  
 TOP DOC K-DD-5418834-0-0

DATE 12-MAY-86  
 DATE 12-MAY-86  
 DATE 12-MAY-86

TITLE ECSSERVER 200  
 NUMBER 5418834-0-MEM1  
 REV A

PAGE 1 OF 1

Z:\MAY 86 89153 70SER\PROJ\TEOS\WORKING\DEC\SERVER\MEM\_SUBSYS 1.DRAM

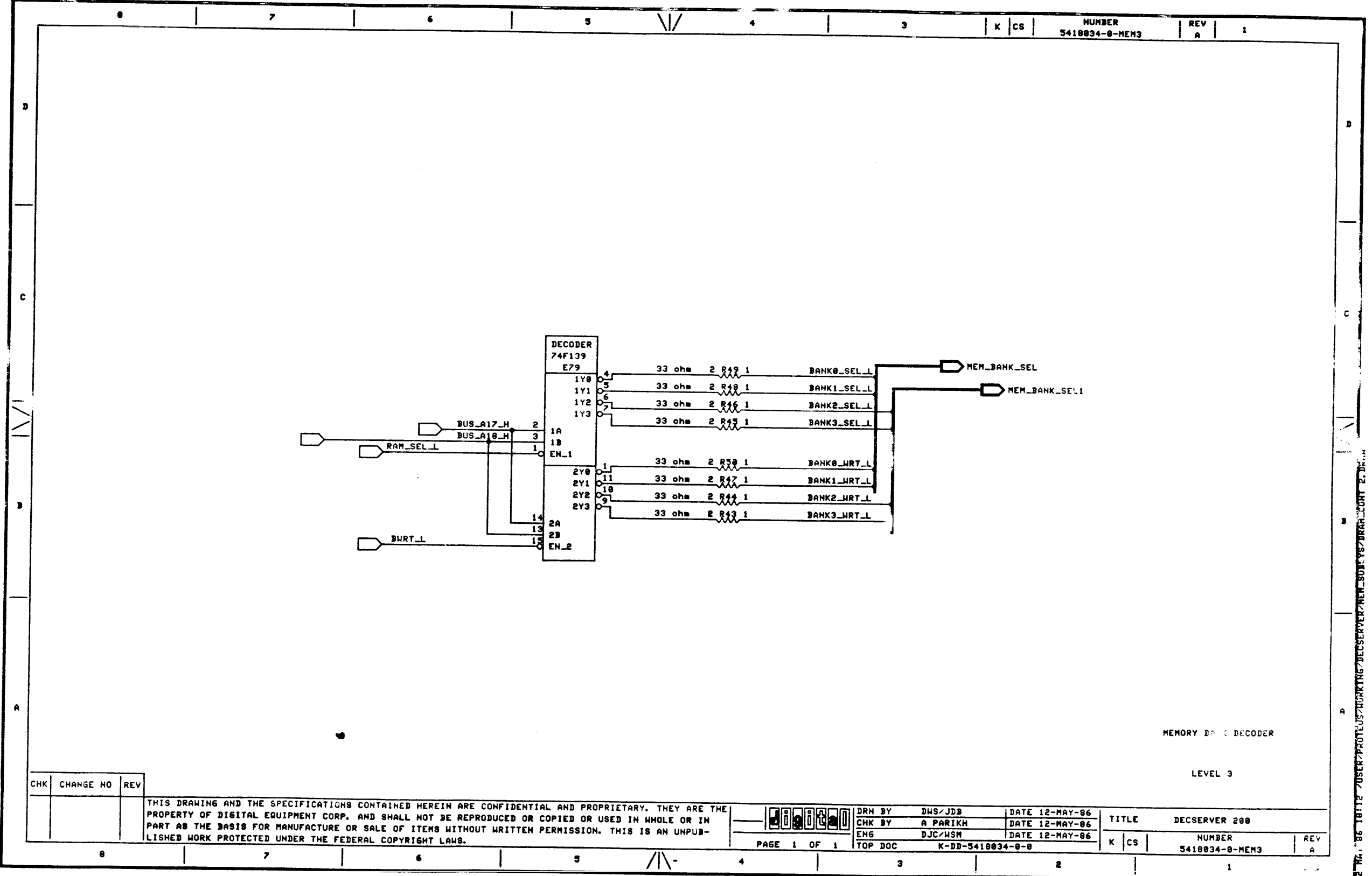


CHK	CHANGE NO	REV

THIS DRAWING AND THE SPECIFICATIONS CONTAINED HEREIN ARE CONFIDENTIAL AND PROPRIETARY. THEY ARE THE PROPERTY OF DIGITAL EQUIPMENT CORP. AND SHALL NOT BE REPRODUCED OR COPIED OR USED IN WHOLE OR IN PART AS THE BASIS FOR MANUFACTURE OR SALE OF ITEMS WITHOUT WRITTEN PERMISSION. THIS IS AN UNPUBLISHED WORK PROTECTED UNDER THE FEDERAL COPYRIGHT LAWS.

DRN BY	DWS/JDB	DATE	12-MAY-86	TITLE	DECSERVER 200
CHK BY	A PARIKH	DATE	12-MAY-86	NUMBER	5418834-0-MEM2
ENG	DJC/MSH	DATE	12-MAY-86	REV	A
PAGE 1 OF 1		TOP DOC		K CS	

22 MAY 86 10:10 USER: JTEUS/WORKING/DECSERVER/MEM-SUBSYS/DRAM-CONT-3.DRAW



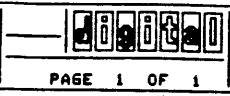
NUMBER 5418834-8-MEM3 REV A 1

MEMORY BANK DECODER

LEVEL 3

CHK	CHANGE NO	REV

THIS DRAWING AND THE SPECIFICATIONS CONTAINED HEREIN ARE CONFIDENTIAL AND PROPRIETARY. THEY ARE THE PROPERTY OF DIGITAL EQUIPMENT CORP. AND SHALL NOT BE REPRODUCED OR COPIED OR USED IN WHOLE OR IN PART AS THE BASIS FOR MANUFACTURE OR SALE OF ITEMS WITHOUT WRITTEN PERMISSION. THIS IS AN UNPUBLISHED WORK PROTECTED UNDER THE FEDERAL COPYRIGHT LAWS.



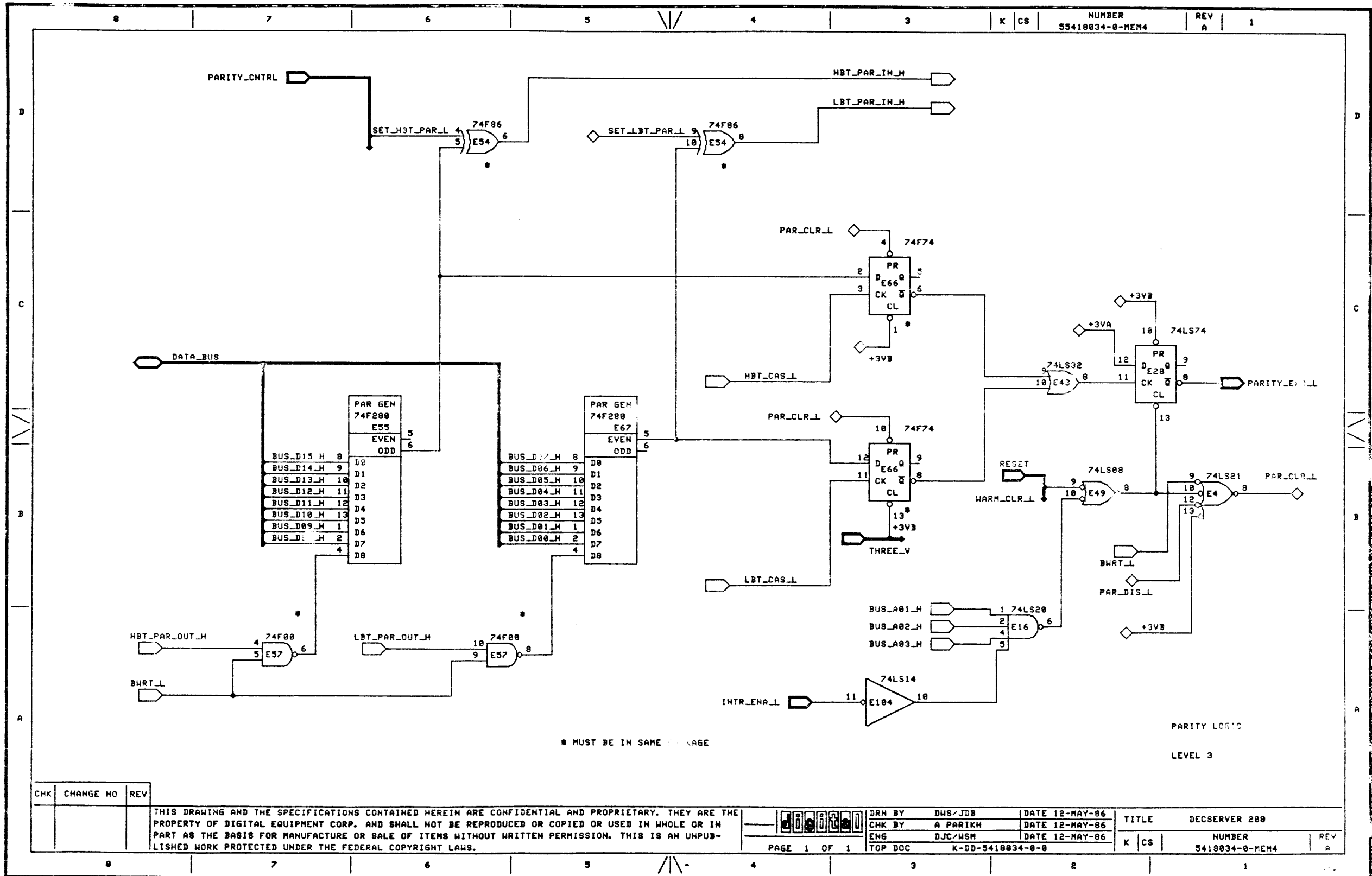
DRN BY	DWS/JDB	DATE	12-MAY-86
CHK BY	A PARIKH	DATE	12-MAY-86
ENG	DJC/HSM	DATE	12-MAY-86

TITLE	DECSERVER 208
NUMBER	5418834-8-MEM3
REV	A

PAGE 1 OF 1

TOP DOC K-DD-5418834-8-8

22 MAY 86 10:12 USER:PROTEUS/WORKING/DECSERVER/MEM\_SELECTOR/DRH\_CONT 2.DR...



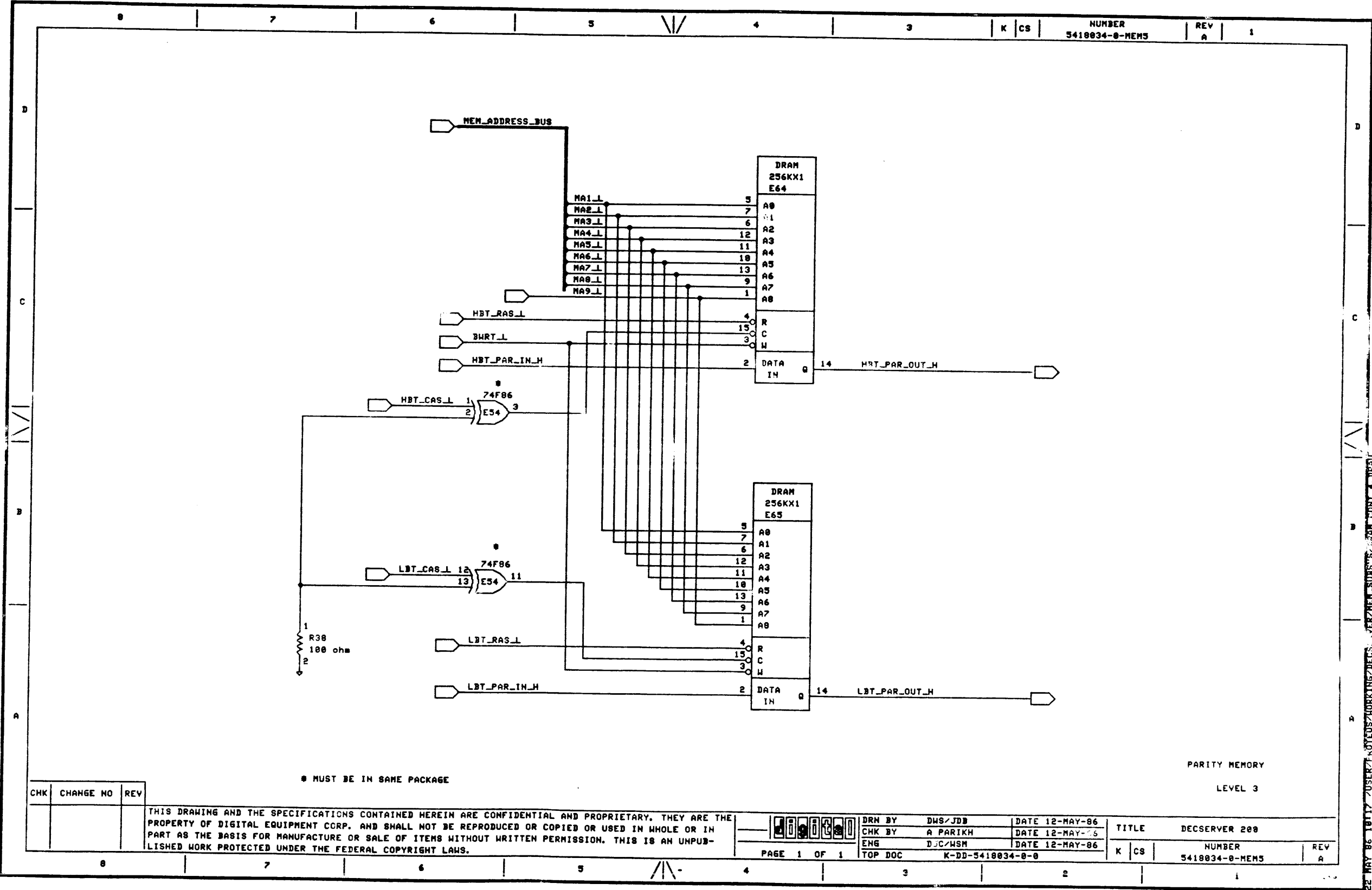
CHK	CHANGE NO	REV

THIS DRAWING AND THE SPECIFICATIONS CONTAINED HEREIN ARE CONFIDENTIAL AND PROPRIETARY. THEY ARE THE PROPERTY OF DIGITAL EQUIPMENT CORP. AND SHALL NOT BE REPRODUCED OR COPIED OR USED IN WHOLE OR IN PART AS THE BASIS FOR MANUFACTURE OR SALE OF ITEMS WITHOUT WRITTEN PERMISSION. THIS IS AN UNPUBLISHED WORK PROTECTED UNDER THE FEDERAL COPYRIGHT LAWS.

DRN BY	DWS/JDB	DATE	12-MAY-86
CHK BY	A PARIKH	DATE	12-MAY-86
ENG	DJC/WSM	DATE	12-MAY-86
TOP DOC	K-DD-5418834-0-0		

TITLE	DECserver 200
NUMBER	5418834-0-MEM4
REV	A

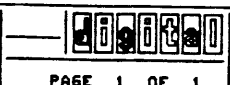
22 MAY 86 10:16 USER: NOTEDS/HOKKING/DEC/ENR/NEW-SDS/SYSDRAW/CONT



CHK	CHANGE NO	REV

\* MUST BE IN SAME PACKAGE

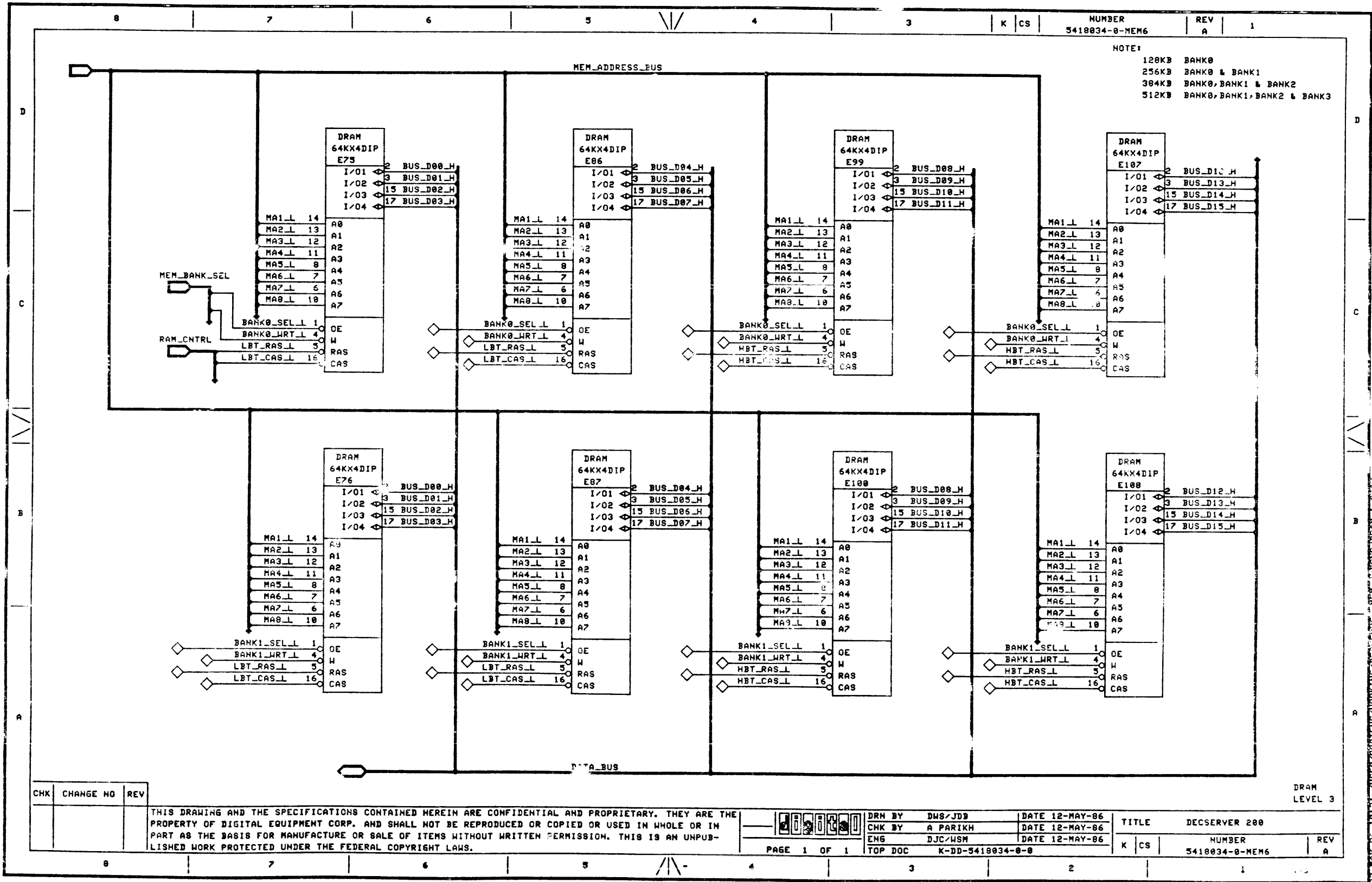
THIS DRAWING AND THE SPECIFICATIONS CONTAINED HEREIN ARE CONFIDENTIAL AND PROPRIETARY. THEY ARE THE PROPERTY OF DIGITAL EQUIPMENT CORP. AND SHALL NOT BE REPRODUCED OR COPIED OR USED IN WHOLE OR IN PART AS THE BASIS FOR MANUFACTURE OR SALE OF ITEMS WITHOUT WRITTEN PERMISSION. THIS IS AN UNPUBLISHED WORK PROTECTED UNDER THE FEDERAL COPYRIGHT LAWS.



DRN BY	DWS/JDB	DATE	12-MAY-86
CHK BY	A PARIKH	DATE	12-MAY-86
ENG	DJC/MSH	DATE	12-MAY-86
TOP DOC	K-DD-5418034-0-0		

TITLE	DECSERVER 200
NUMBER	5418034-0-MEM3
REV	A

22 MAY 86 10:17 USER: KOTEUS/HORKING/DECS... VER/NEW\_S006'S/2-RAR-CO07 4, DRAM



NUMBER 5418034-0-MEM6 REV A 1

NOTE:  
 128KB BANK0  
 256KB BANK0 & BANK1  
 384KB BANK0, BANK1 & BANK2  
 512KB BANK0, BANK1, BANK2 & BANK3

CHK	CHANGE NO	REV

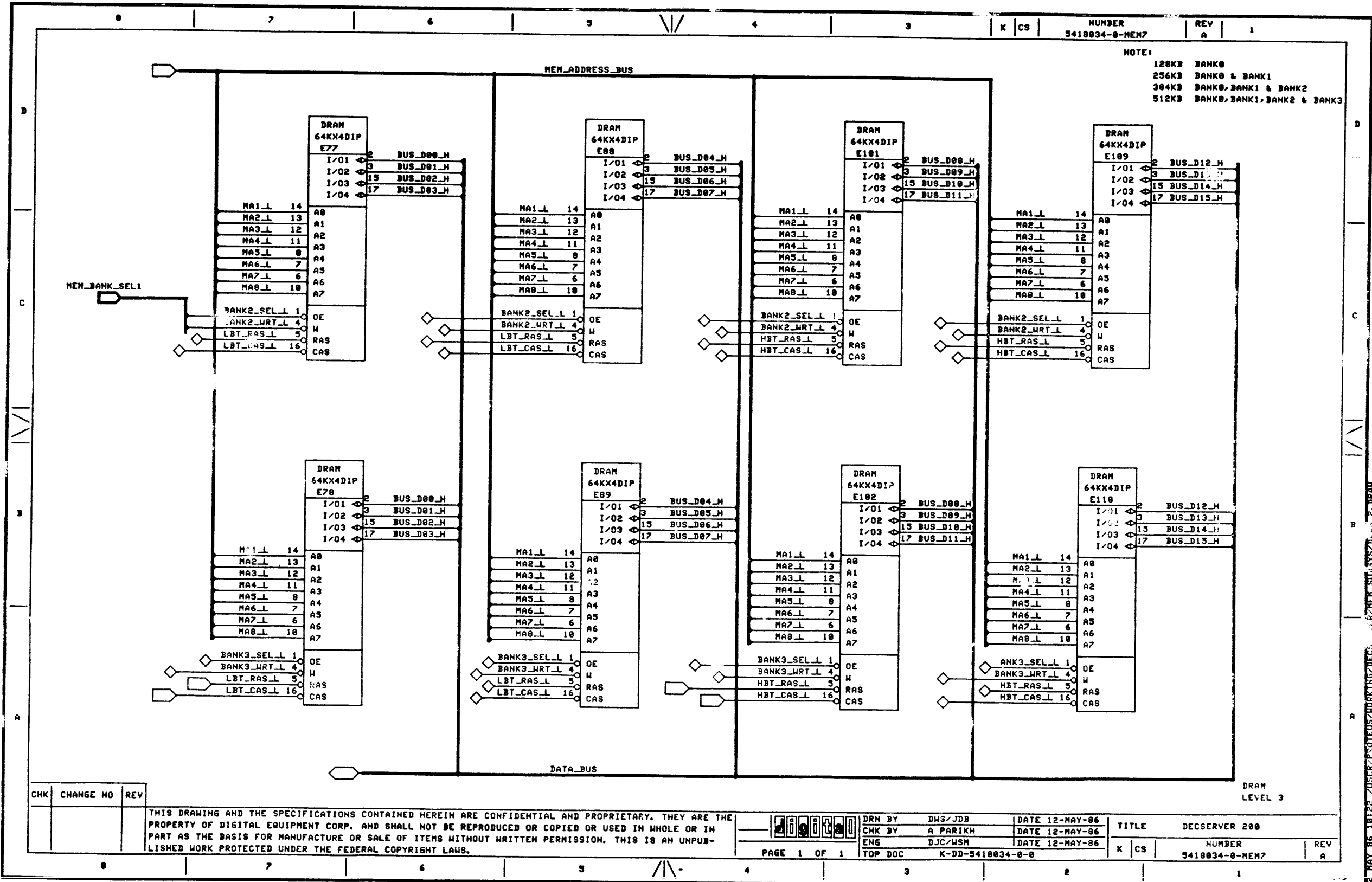
THIS DRAWING AND THE SPECIFICATIONS CONTAINED HEREIN ARE CONFIDENTIAL AND PROPRIETARY. THEY ARE THE PROPERTY OF DIGITAL EQUIPMENT CORP. AND SHALL NOT BE REPRODUCED OR COPIED IN WHOLE OR IN PART AS THE BASIS FOR MANUFACTURE OR SALE OF ITEMS WITHOUT WRITTEN PERMISSION. THIS IS AN UNPUBLISHED WORK PROTECTED UNDER THE FEDERAL COPYRIGHT LAWS.

DRN BY DMS/JDD DATE 12-MAY-86  
 CHK BY A PARIKH DATE 12-MAY-86  
 ENG DJC/HSM DATE 12-MAY-86  
 TOP DOC K-DD-5418034-0-0

TITLE DECSERVER 200  
 NUMBER 5418034-0-MEM6 REV A

DRAM LEVEL 3

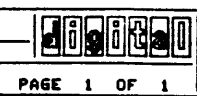
22 MAY 86 10:21 USER:PROTEUS/WORKING/DECSERVE/NEW/305/S/DRAM 1.DRAW



NOTE:  
 128KB BANK0  
 256KB BANK0 & BANK1  
 384KB BANK0, BANK1 & BANK2  
 512KB BANK0, BANK1, BANK2 & BANK3

CHK	CHANGE NO	REV

THIS DRAWING AND THE SPECIFICATIONS CONTAINED HEREIN ARE CONFIDENTIAL AND PROPRIETARY. THEY ARE THE PROPERTY OF DIGITAL EQUIPMENT CORP. AND SHALL NOT BE REPRODUCED OR COPIED IN WHOLE OR IN PART AS THE BASIS FOR MANUFACTURE OR SALE OF ITEMS WITHOUT WRITTEN PERMISSION. THIS IS AN UNPUBLISHED WORK PROTECTED UNDER THE FEDERAL COPYRIGHT LAWS.



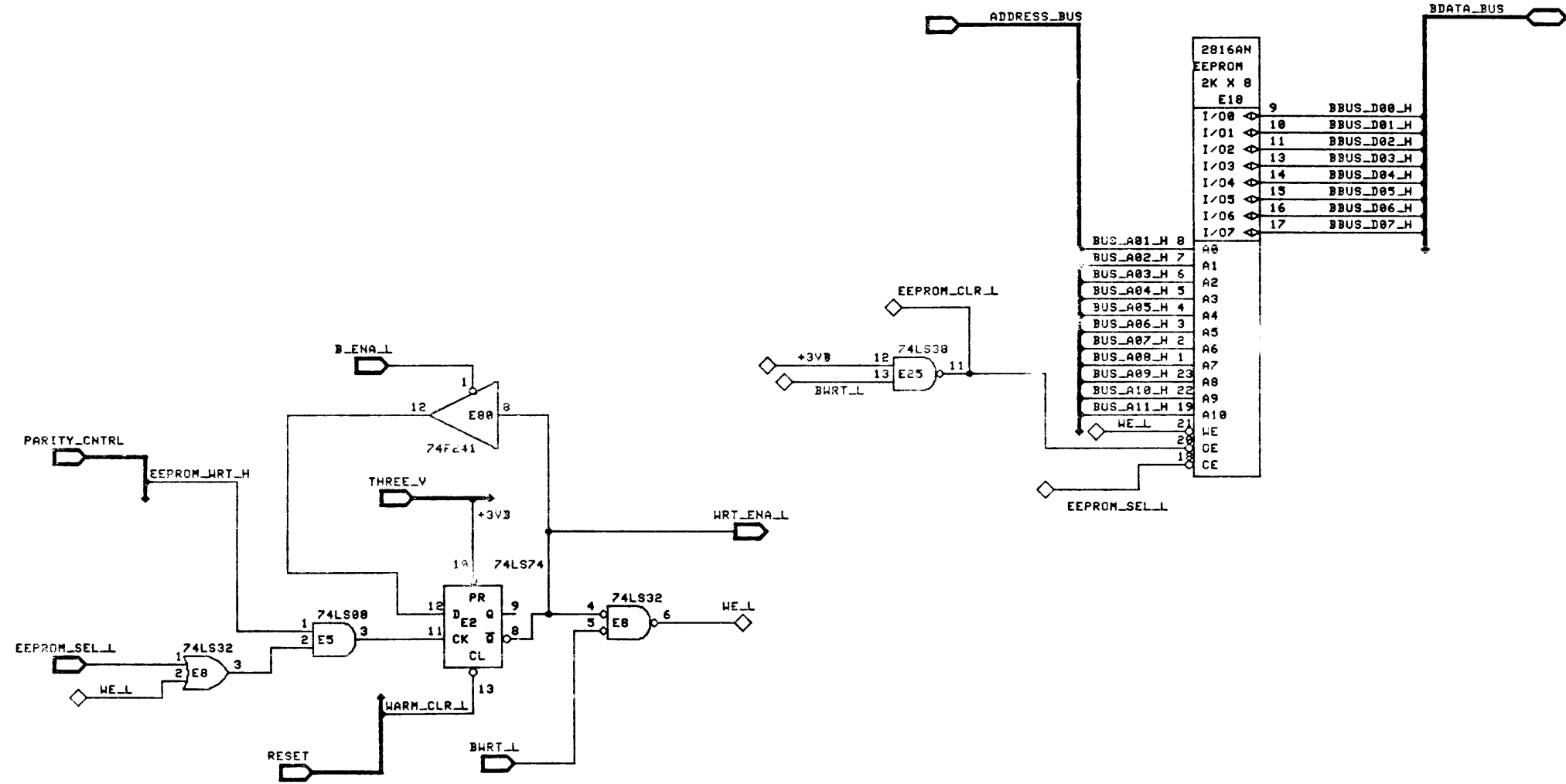
DRN BY	DWS/JDB	DATE	12-MAY-86
CHK BY	A PARIKH	DATE	12-MAY-86
ENG	DJC/WSH	DATE	12-MAY-86
TOP DOC		K-DD-5418034-8-8	

TITLE	DEC SERVER 200
NUMBER	5418034-8-MEM7
REV	A

DRAM LEVEL 3

22 MAY 86 10:22 USER:PROTEUS/WORKING/DEC.../K7MEM/LSU/SYS/DRAM





EEPROM  
LEVEL 3

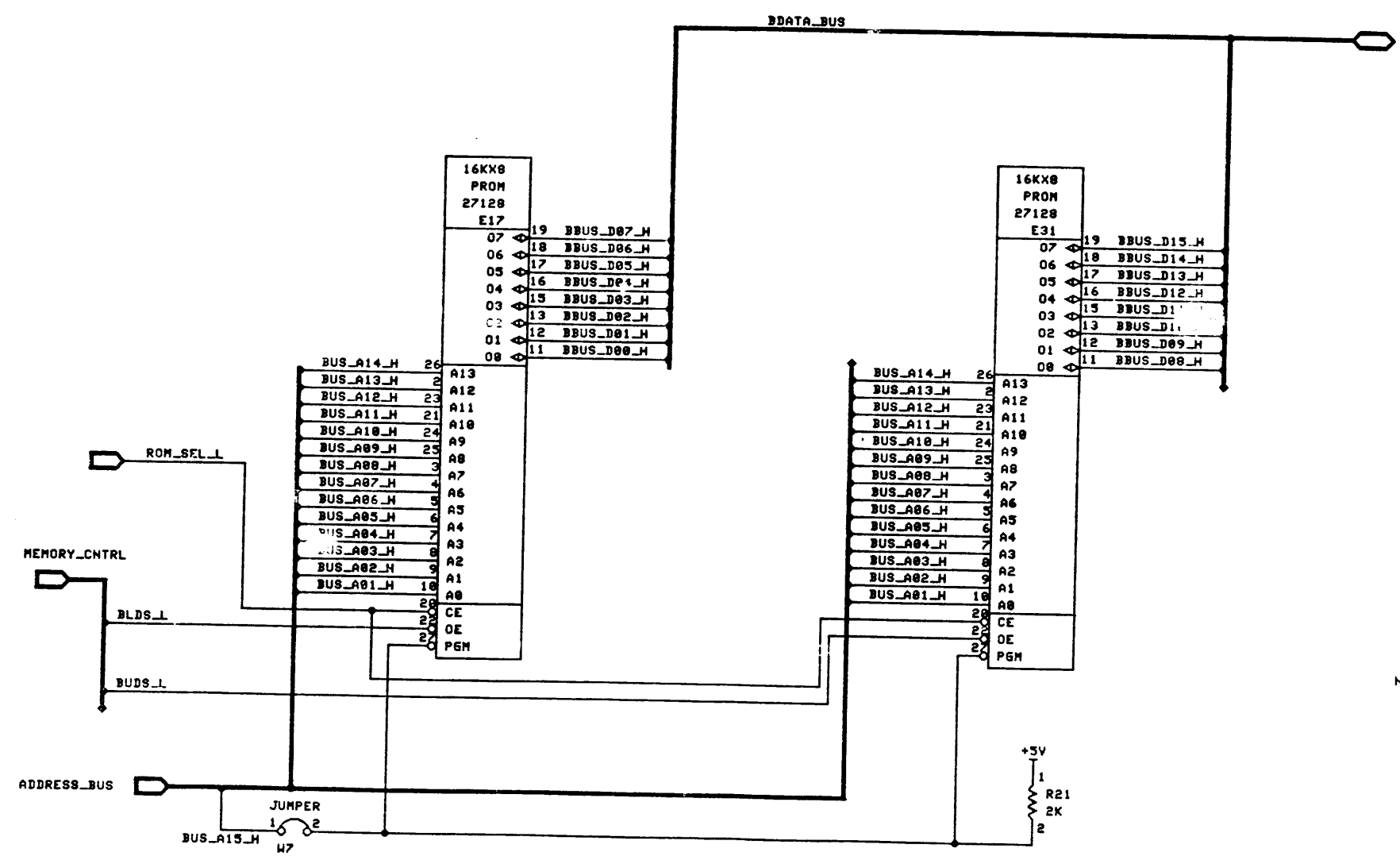
CHK	CHANGE NO	REV

THIS DRAWING AND THE SPECIFICATIONS CONTAINED HEREIN ARE CONFIDENTIAL AND PROPRIETARY. THEY ARE THE PROPERTY OF DIGITAL EQUIPMENT CORP. AND SHALL NOT BE REPRODUCED OR COPIED OR USED IN WHOLE OR IN PART AS THE BASIS FOR MANUFACTURE OR SALE OF ITEMS WITHOUT WRITTEN PERMISSION. THIS IS AN UNPUBLISHED WORK PROTECTED UNDER THE FEDERAL COPYRIGHT LAWS.

DRN BY	DWS/JDB	DATE	12-MAY-86
CHK BY	A PARIKH	DATE	12-MAY-86
ENG	DJC/MSM	DATE	
TOP DOC	K 5418034-0-0		

TITLE	DECSEVER 200
NUMBER	5418034-0-MEM8
REV	A

22 MAY 86 10:53 USER:PROTEUS/WORKING/DECSEVER200/LEVEL3.SUBSYS: /AOP 1: DRAW



NOTE:  
REFER TO TABLE ON PAGE INT4  
FOR JUMPER CONFIGURATION

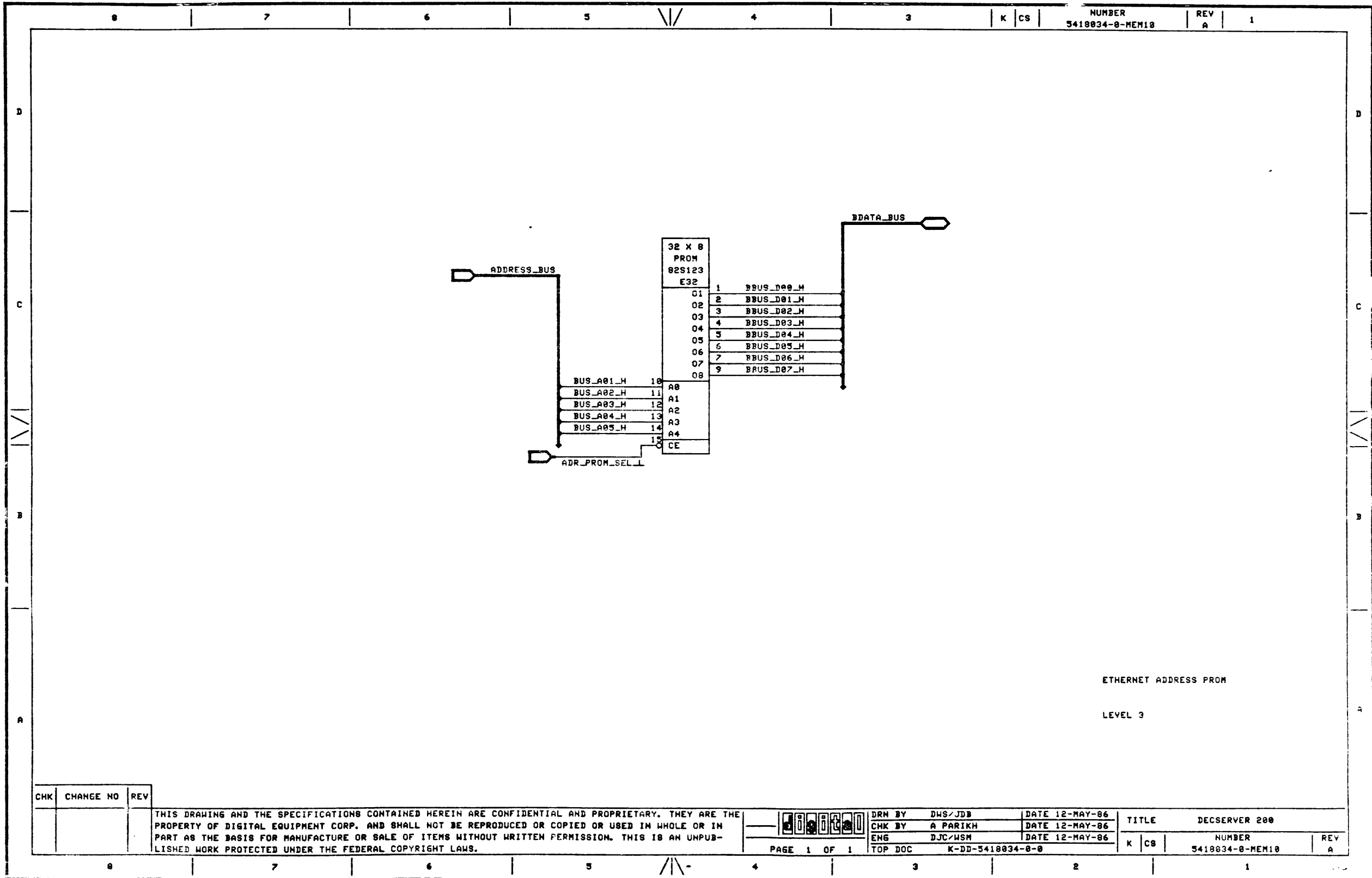
PROM  
LEVEL 3

CHK	CHANGE NO	REV

THIS DRAWING AND THE SPECIFICATIONS CONTAINED HEREIN ARE CONFIDENTIAL AND PROPRIETARY. THEY ARE THE PROPERTY OF DIGITAL EQUIPMENT CORP. AND SHALL NOT BE REPRODUCED OR COPIED OR USED IN WHOLE OR IN PART AS THE BASIS FOR MANUFACTURE OR SALE OF ITEMS WITHOUT WRITTEN PERMISSION. THIS IS AN UNPUBLISHED WORK PROTECTED UNDER THE FEDERAL COPYRIGHT LAWS.

DRN BY DHS/JDB	DATE 12-MAY-86	TITLE DEC SERVER 200
CHK BY A PARIKH	DATE 12-MAY-86	
ENG DJC/WSH	DATE 12-MAY-86	
TOP DOC K-DD-5418034-0-0		

22 MAY 86 10:31 USER:PROTEUS/WORKING/DEC SERVER/REK-S01S75/PROH 1.DRAW



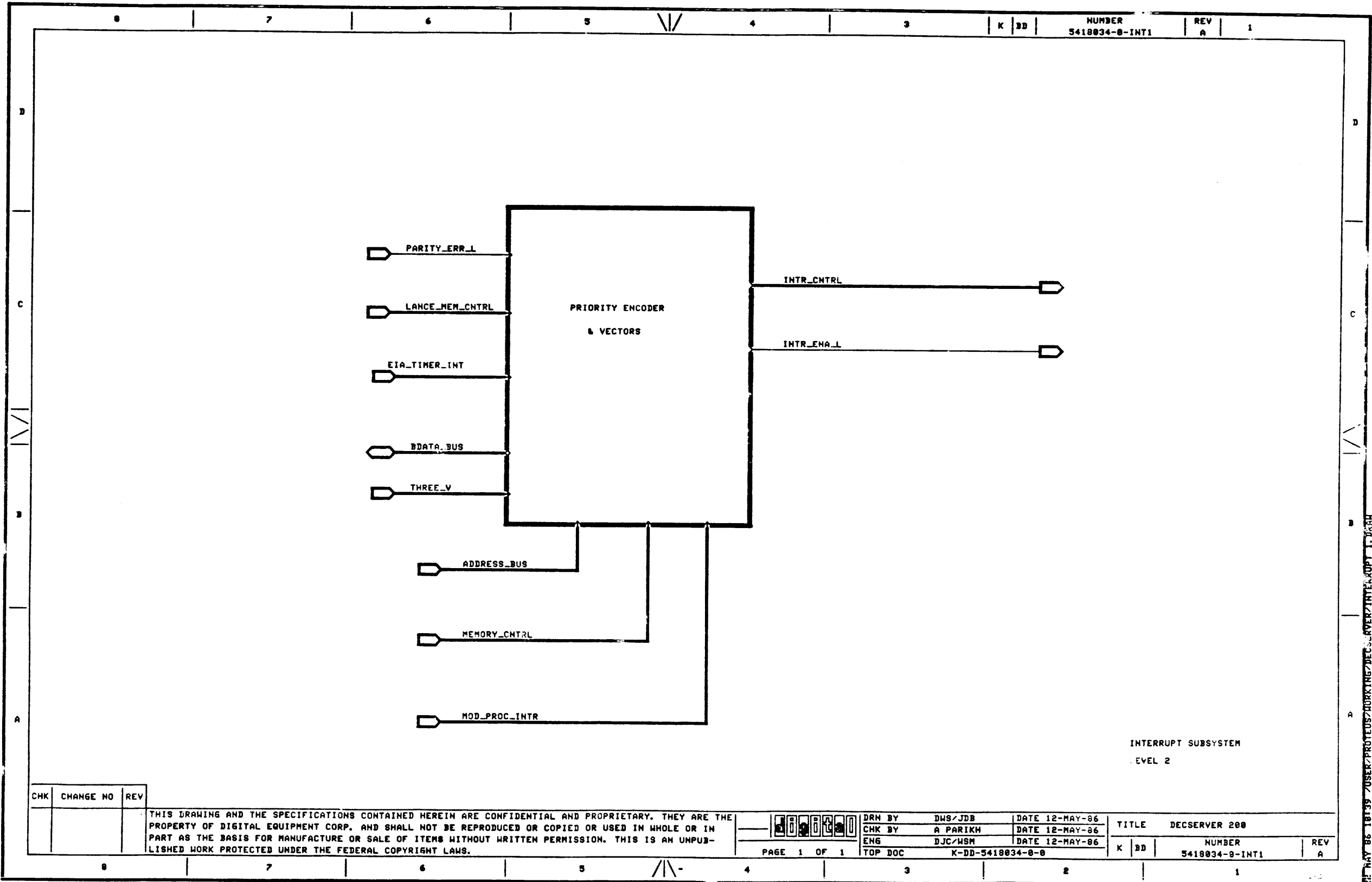
ETHERNET ADDRESS PROM  
LEVEL 3

CHK	CHANGE NO	REV

THIS DRAWING AND THE SPECIFICATIONS CONTAINED HEREIN ARE CONFIDENTIAL AND PROPRIETARY. THEY ARE THE PROPERTY OF DIGITAL EQUIPMENT CORP. AND SHALL NOT BE REPRODUCED OR COPIED OR USED IN WHOLE OR IN PART AS THE BASIS FOR MANUFACTURE OR SALE OF ITEMS WITHOUT WRITTEN PERMISSION. THIS IS AN UNPUBLISHED WORK PROTECTED UNDER THE FEDERAL COPYRIGHT LAWS.

DRN BY	DWS/JDB	DATE	12-MAY-86	TITLE	DECSERVER 200
CHK BY	A PARIKH	DATE	12-MAY-86	NUMBER	5418034-0-MEM10
ENG	DJC/HSM	DATE	12-MAY-86	REV	A
TOP DOC	K-DD-5418034-0-0				

Z:\MAY 86 10:15:07\USER\PROTECUS\WORKING\DECSERVER\HEM\SUBSYS\ADR\_PROM\_1.DRAW



INTERRUPT SUBSYSTEM  
LEVEL 2

CHK	CHANGE NO	REV

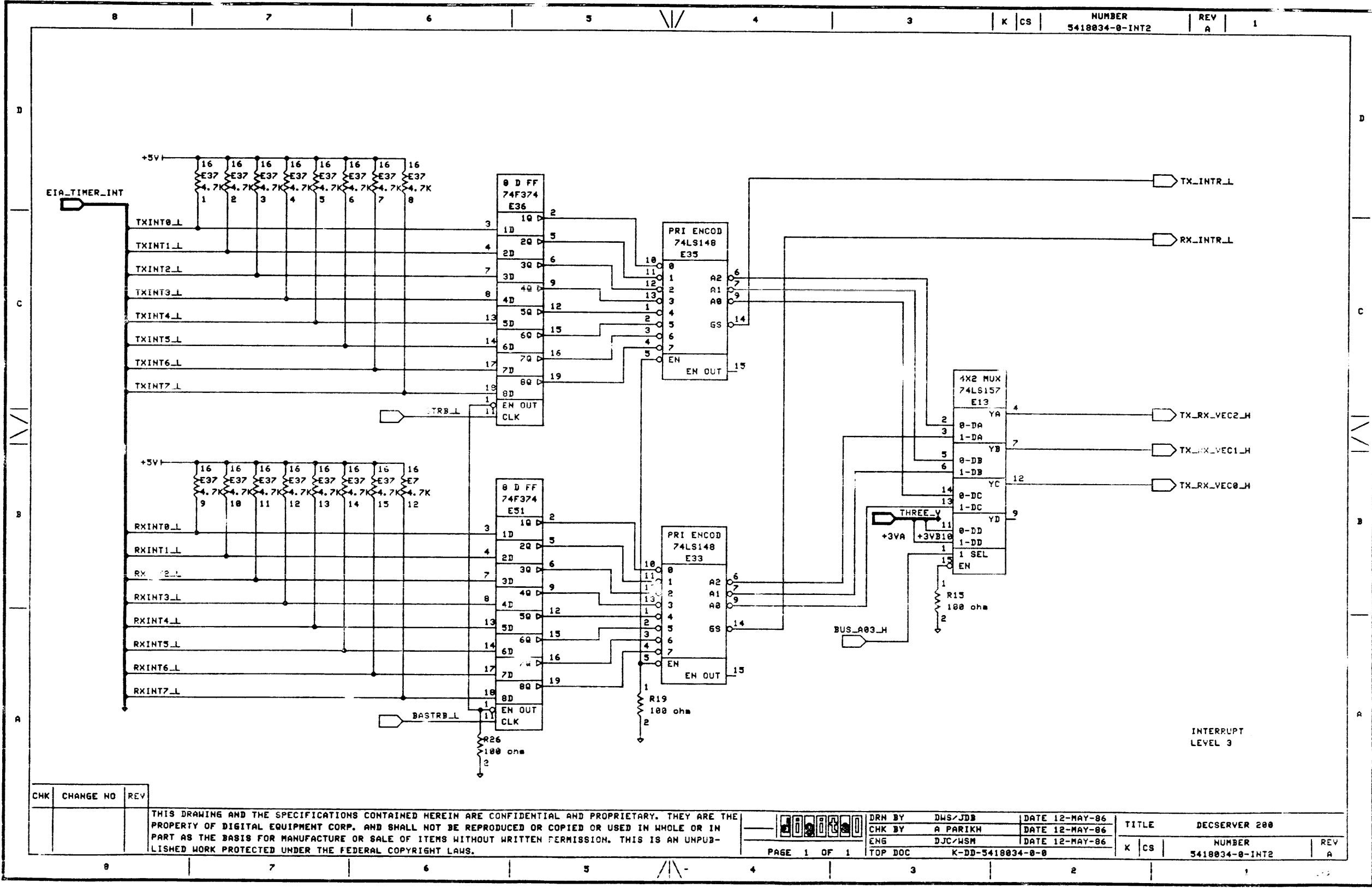
THIS DRAWING AND THE SPECIFICATIONS CONTAINED HEREIN ARE CONFIDENTIAL AND PROPRIETARY. THEY ARE THE PROPERTY OF DIGITAL EQUIPMENT CORP. AND SHALL NOT BE REPRODUCED OR COPIED OR USED IN WHOLE OR IN PART AS THE BASIS FOR MANUFACTURE OR SALE OF ITEMS WITHOUT WRITTEN PERMISSION. THIS IS AN UNPUBLISHED WORK PROTECTED UNDER THE FEDERAL COPYRIGHT LAWS.

PAGE 1 OF 1

DRM BY	DWS/JDB	DATE	12-MAY-86
CHK BY	A PARIKH	DATE	12-MAY-86
ENG	DJC/MSM	DATE	12-MAY-86
TOP DOC	K-DD-5418034-0-0		

TITLE	DEC SERVER 200		
K	BD	NUMBER	REV
		5418034-0-INT1	A

22 MAY 86 10:39 USER:PROTEUS/WORKING/DEC-SERVER/INTER/PT L:KRAH



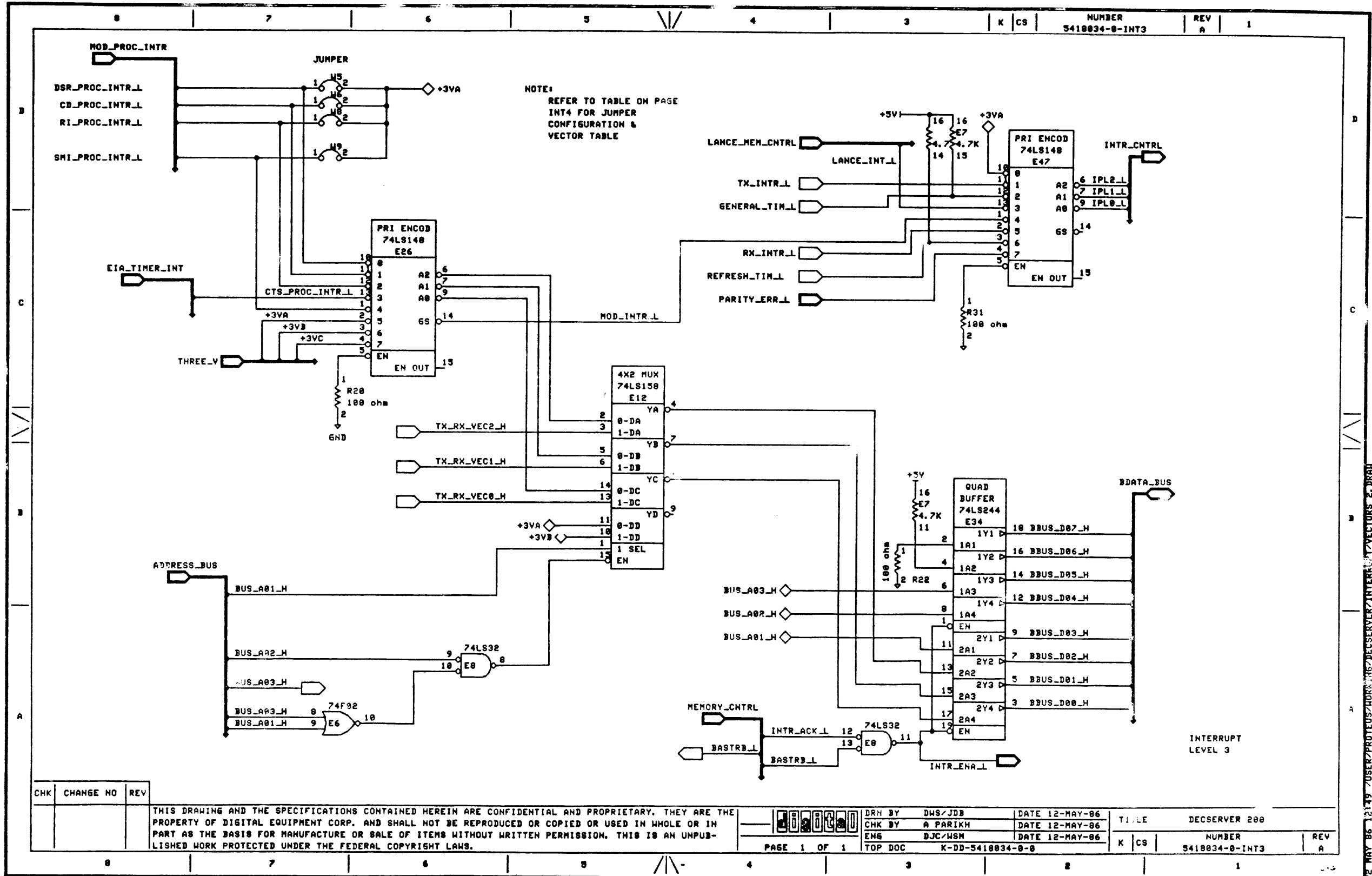
CHK	CHANGE NO	REV

THIS DRAWING AND THE SPECIFICATIONS CONTAINED HEREIN ARE CONFIDENTIAL AND PROPRIETARY. THEY ARE THE PROPERTY OF DIGITAL EQUIPMENT CORP. AND SHALL NOT BE REPRODUCED OR COPIED OR USED IN WHOLE OR IN PART AS THE BASIS FOR MANUFACTURE OR SALE OF ITEMS WITHOUT WRITTEN PERMISSION. THIS IS AN UNPUBLISHED WORK PROTECTED UNDER THE FEDERAL COPYRIGHT LAWS.

DRM BY	DWS/JDB	DATE	12-MAY-86
CHK BY	A PARIKH	DATE	12-MAY-86
ENG	DJC/WSM	DATE	12-MAY-86
TOP DOC	K-DD-5418034-0-0		

TITLE	DECserver 200
NUMBER	5418034-0-INT2
REV	A

22 MAY 86 10:42 USER:PROTEUS:WORKING/DECserver/INTERRUPT/VECTORS I.DWG



NOTE:  
REFER TO TABLE ON PAGE  
INT4 FOR JUMPER  
CONFIGURATION &  
VECTOR TABLE

CHK	CHANGE NO	REV

THIS DRAWING AND THE SPECIFICATIONS CONTAINED HEREIN ARE CONFIDENTIAL AND PROPRIETARY. THEY ARE THE PROPERTY OF DIGITAL EQUIPMENT CORP. AND SHALL NOT BE REPRODUCED OR COPIED OR USED IN WHOLE OR IN PART AS THE BASIS FOR MANUFACTURE OR SALE OF ITEMS WITHOUT WRITTEN PERMISSION. THIS IS AN UNPUBLISHED WORK PROTECTED UNDER THE FEDERAL COPYRIGHT LAWS.

DRN BY	DWS/JDB	DATE	12-MAY-86	TITLE	DECSERVER 200
CHK BY	A PARIKH	DATE	12-MAY-86	NUMBER	5418034-0-INT3
ENG	DJC/WSM	DATE	12-MAY-86	REV	A
PAGE 1 OF 1	TOP DOC	K-DD-5418034-0-0			

22 MAY 86 12:49 USER:PROTEUS/HORR:R67/DECSERVER/INTERRUPT/VECTORS 2.DRAW

COMPONENT CONFIGURATIONS

COMPONENT IN	COMPONENT OUT	FUNCTION	PRODUCT
	W1, W2, E77, E78, E88, E89, E101, E102, E109, E110	256KB DRAM	ANY
W2	E78, E89, E102, E110, W1	384KB DRAM	ANY
W1	W2	512KB DRAM	ANY
W4		ROUTER	DSRVC-AA DSRVC-AB
	W4	SERVER	DSRVB-AA DSRVB-AB DSRVB-BA DSRVB-BB
E52, E53, E72, E73, E74, E84, E85, E97, E98, J7, D2-D5, C146, C147, R34, R39, R42, R80, R81	W3, W5, W6, W8-W17, W22	RS232 INTERFACE	DSRVB-AA DSRVB-AB
W3, W5, W6, W8-W17, W22	E52, E53, E72, E73, E74, E84, E85, E97, E98, J7, D2-D5, C146, C147, R34, R39, R42, R80, R81	DEC 423 INTERFACE	DSRVB-BA DSRVB-BB
W7	R21	32Kx8 EPROM	ANY
R21	W7	16Kx8 EPROM	ANY
W18-W21, W23	E96, R82	NO LANCE HARDWARE WORKAROUNDS	ANY
R82, E96	W18-W21, W23	LANCE HARDWARE WORKAROUNDS	ANY
W24		FULL STEP	ANY
	W24	HALF STEP	ANY

INTERRUPT VECTORS

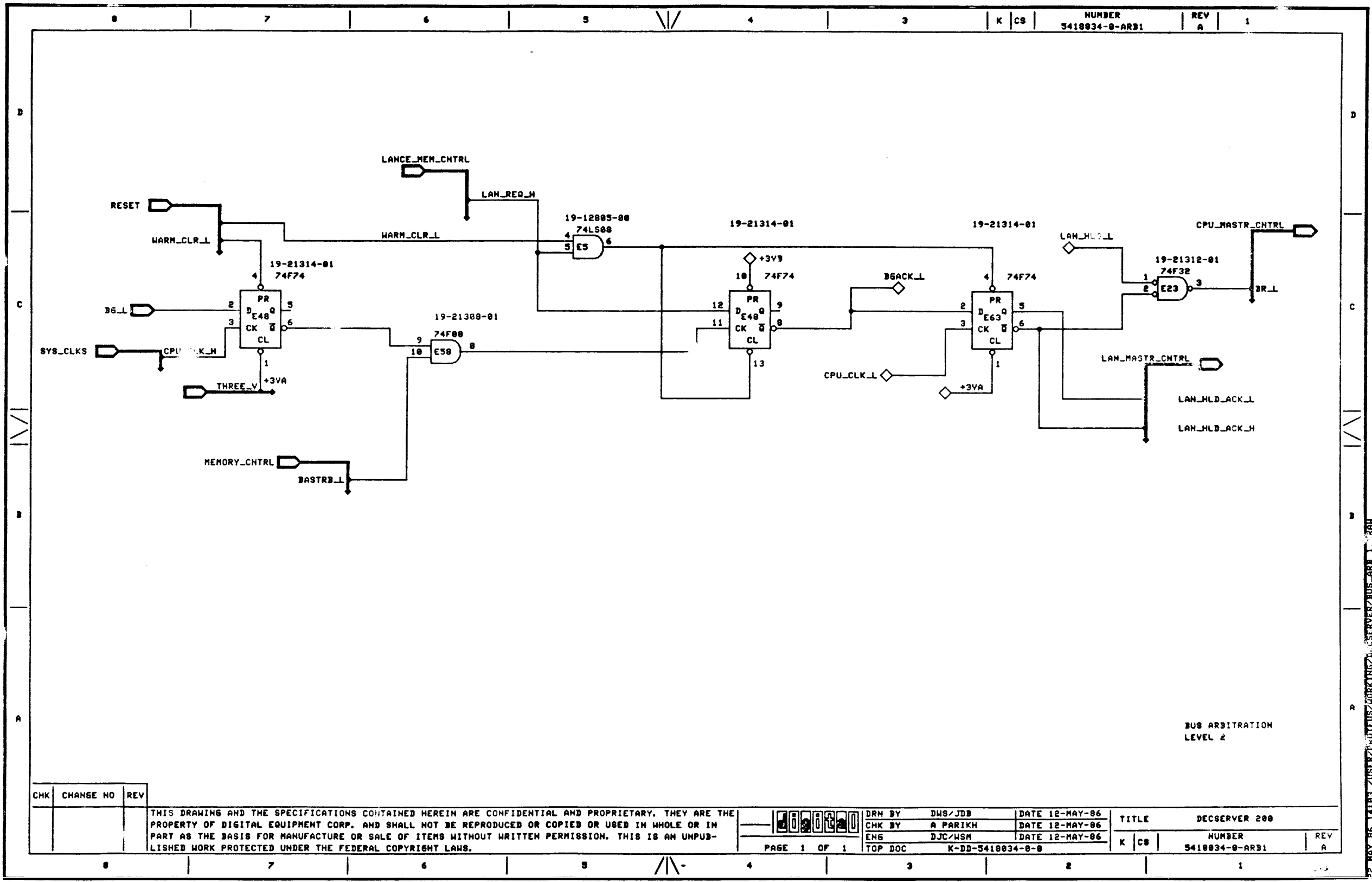
DEVICE	INTERRUPT VECTOR	60000 VECTOR
TXINT0	48	120
TXINT1	49	124
TXINT2	4A	128
TXINT3	4B	12C
TXINT4	4C	130
TXINT5	4D	134
TXINT6	4E	138
TXINT7	4F	13C
GENERAL_TIM	57	15C
LANCE_INT	5F	17C
DSR_PROC_INT	60	180
CD_PROC_INT	61	184
R1_PROC_INT	62	188
CTS_PROC_INT	63	18C
SMI_PROC_INT	64	190
RXINT0	68	1A0
RXINT1	69	1A4
RXINT2	6A	1A8
RXINT3	6B	1AC
RXINT4	6C	1B0
RXINT5	6D	1B4
RXINT6	6E	1B8
RXINT7	6F	1BC
REFRESH_TIM	77	1DC
PARITY_ERR	7F	1FC

CHK	CHANGE NO	REV

THIS DRAWING AND THE SPECIFICATIONS CONTAINED HEREIN ARE CONFIDENTIAL AND PROPRIETARY. THEY ARE THE PROPERTY OF DIGITAL EQUIPMENT CORP. AND SHALL NOT BE REPRODUCED OR COPIED OR USED IN WHOLE OR IN PART AS THE BASIS FOR MANUFACTURE OR SALE OF ITEMS WITHOUT WRITTEN PERMISSION. THIS IS AN UNPUBLISHED WORK PROTECTED UNDER THE FEDERAL COPYRIGHT LAWS.

DRN BY	DWS/JDB	DATE	12-MAY-86	TITLE	DECSERVER 200
CHK BY	A PARIKH	DATE	12-MAY-86	NUMBER	5418034-0-INT4
ENG	DJC/WSM	DATE	12-MAY-86	REV	A
PAGE 1 OF 1			TOP DOC	K-DD-5418045-0-0	

18 MAY 86 1417 ZUSER:PROTE...ORKING/DECSERVER TABLE.DRAW



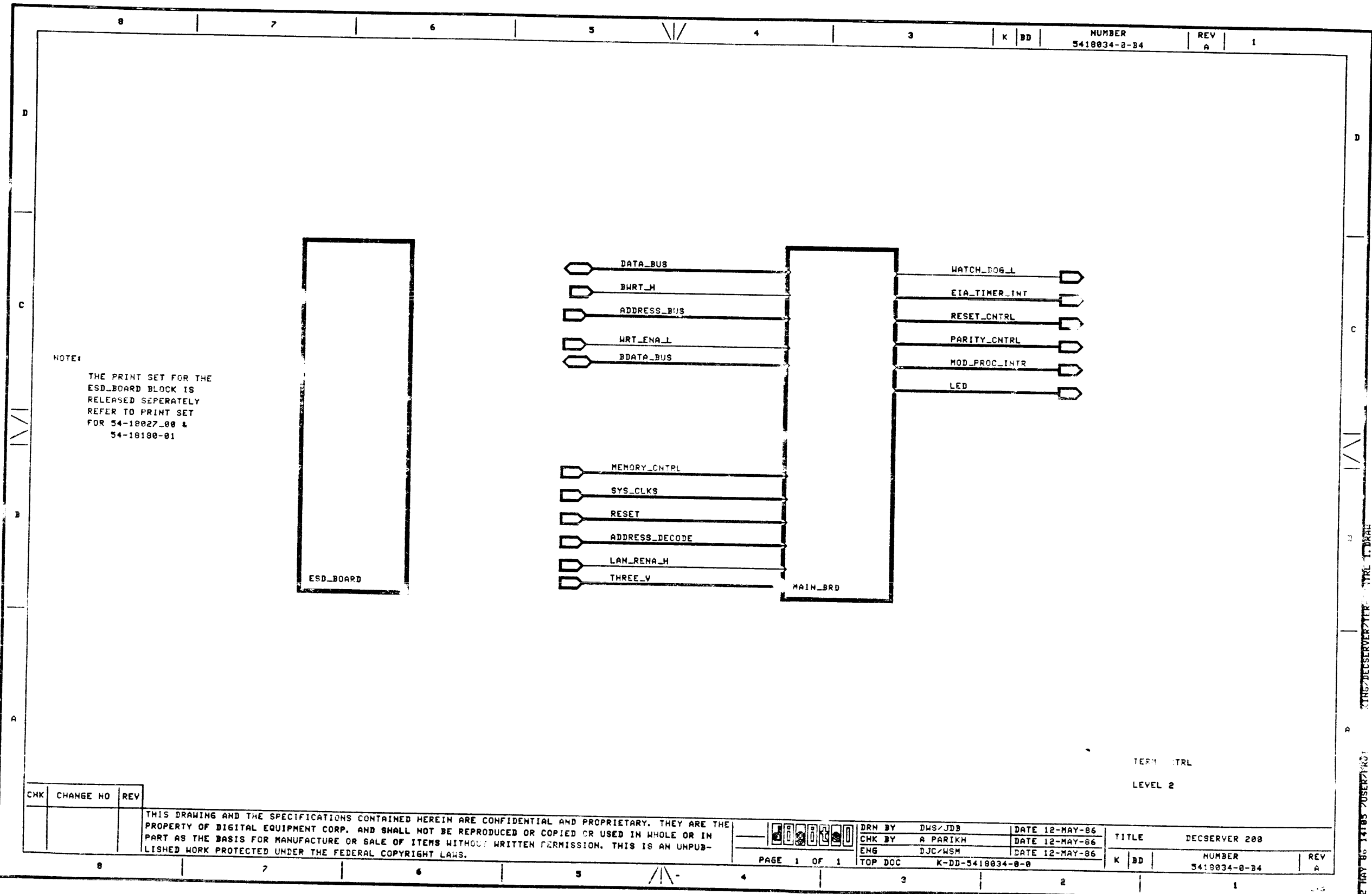
CHK	CHANGE NO	REV

THIS DRAWING AND THE SPECIFICATIONS CONTAINED HEREIN ARE CONFIDENTIAL AND PROPRIETARY. THEY ARE THE PROPERTY OF DIGITAL EQUIPMENT CORP. AND SHALL NOT BE REPRODUCED OR COPIED OR USED IN WHOLE OR IN PART AS THE BASIS FOR MANUFACTURE OR SALE OF ITEMS WITHOUT WRITTEN PERMISSION. THIS IS AN UNPUBLISHED WORK PROTECTED UNDER THE FEDERAL COPYRIGHT LAWS.

DRN BY	DWS/JDB	DATE	12-MAY-86	TITLE	DECSERVER 200
CHK BY	A PARIKH	DATE	12-MAY-86	NUMBER	5418834-0-AR31
ENG	DJC/WSH	DATE	12-MAY-86	REV	A
TOP DOC		K-DD-5418834-0-0		K   CS	

12 MAY 86 14103 70SER70K0TEUS/WORKING200/USERV200/AR31





NOTE:  
 THE PRINT SET FOR THE  
 ESD\_BOARD BLOCK IS  
 RELEASED SEPARATELY  
 REFER TO PRINT SET  
 FOR 54-18827-00 &  
 54-18188-01

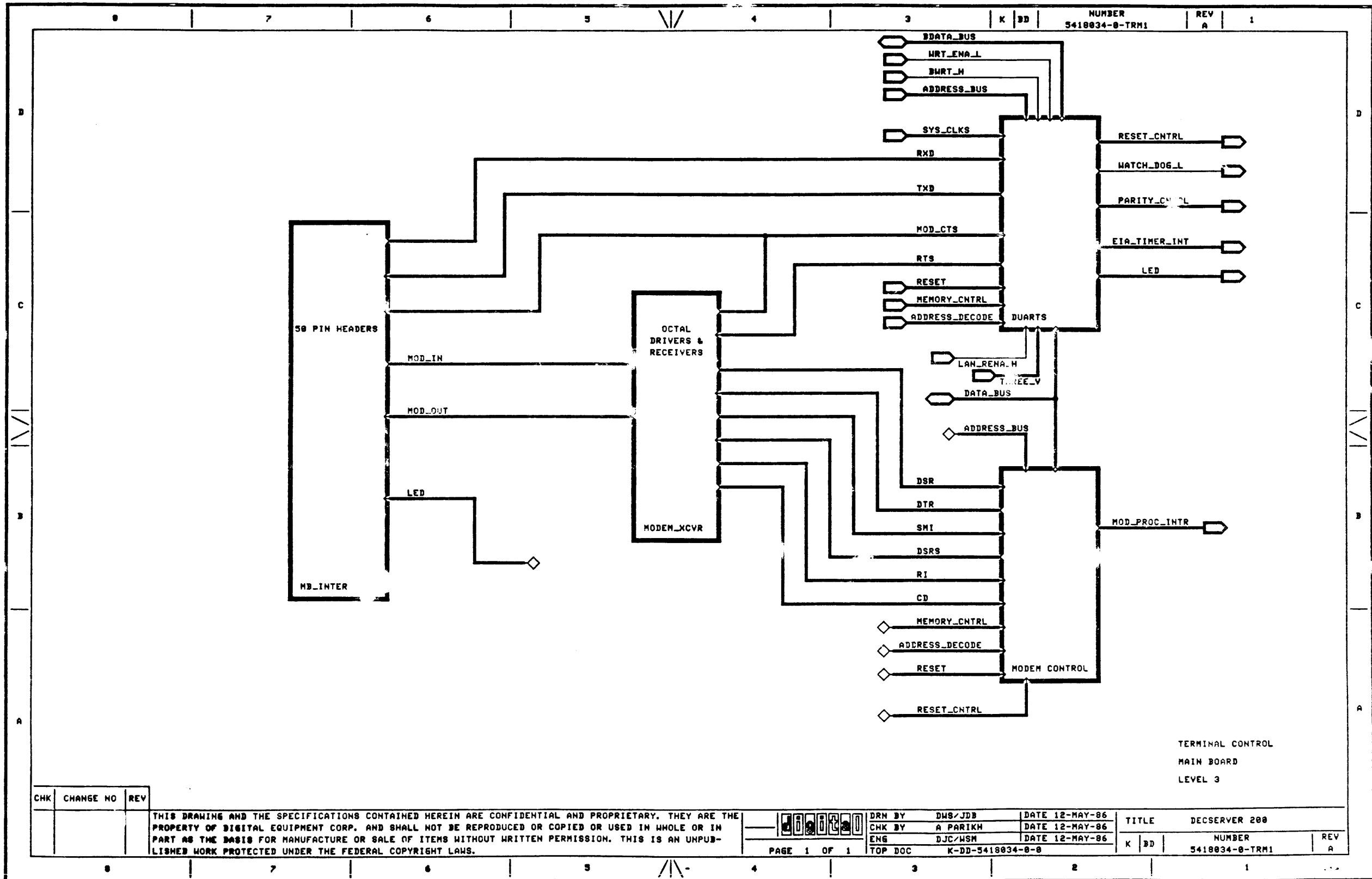
CHK	CHANGE NO	REV

THIS DRAWING AND THE SPECIFICATIONS CONTAINED HEREIN ARE CONFIDENTIAL AND PROPRIETARY. THEY ARE THE PROPERTY OF DIGITAL EQUIPMENT CORP. AND SHALL NOT BE REPRODUCED OR COPIED OR USED IN WHOLE OR IN PART AS THE BASIS FOR MANUFACTURE OR SALE OF ITEMS WITHOUT WRITTEN PERMISSION. THIS IS AN UNPUBLISHED WORK PROTECTED UNDER THE FEDERAL COPYRIGHT LAWS.

DRN BY	DWS/JDB	DATE	12-MAY-86	TITLE	DECSERVER 200
CHK BY	A PARIKH	DATE	12-MAY-86	NUMBER	5418834-8-34
ENG	DJC/MSH	DATE	12-MAY-86	REV	A
TOP DOC	K-DD-5418834-8-8				

PAGE 1 OF 1

22 MAY 86 10:05 USER:K01  
 KDD/DECSERVER/TERM CTRL L2.DRAW

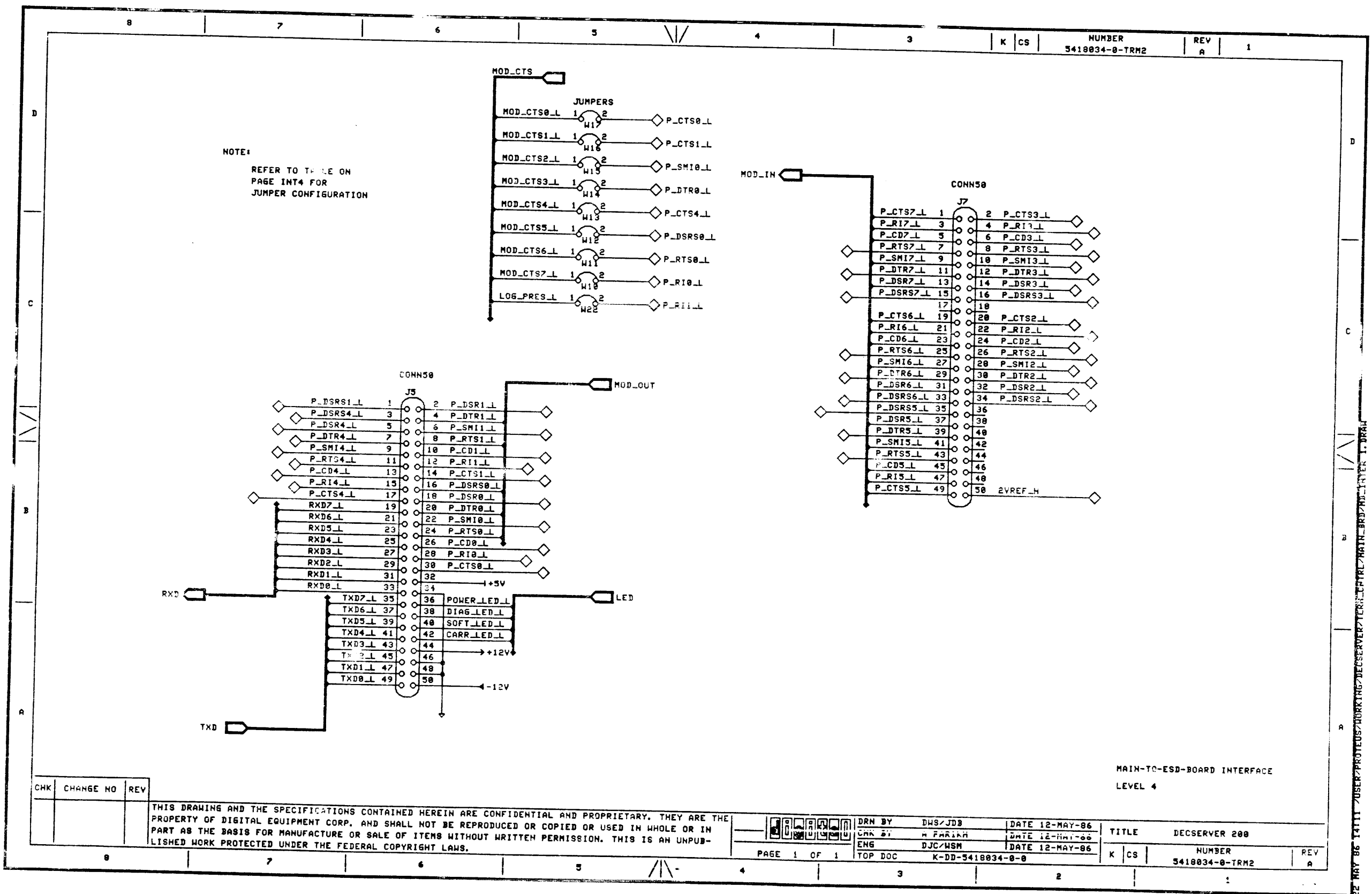


CHK	CHANGE NO	REV

THIS DRAWING AND THE SPECIFICATIONS CONTAINED HEREIN ARE CONFIDENTIAL AND PROPRIETARY. THEY ARE THE PROPERTY OF DIGITAL EQUIPMENT CORP. AND SHALL NOT BE REPRODUCED OR COPIED OR USED IN WHOLE OR IN PART AS THE BASIS FOR MANUFACTURE OR SALE OF ITEMS WITHOUT WRITTEN PERMISSION. THIS IS AN UNPUBLISHED WORK PROTECTED UNDER THE FEDERAL COPYRIGHT LAWS.

DRN BY	DMS/JDB	DATE	12-MAY-86	TITLE	DECSERVER 200
CHK BY	A PARIKH	DATE	12-MAY-86	K   3D	NUMBER
ENG	DJC/WSH	DATE	12-MAY-86	5418034-0-TRM1	REV
TOP DOC	K-DD-5418034-0-0			A	

22 MAY 86 14:07 USER:PROTEUS/WORKING/DECSERVER/TERMINAL/MAINBOARD L.DRAN



NOTE:  
REFER TO TABLE ON  
PAGE INT4 FOR  
JUMPER CONFIGURATION

MAIN-TO-ESD-BOARD INTERFACE  
LEVEL 4

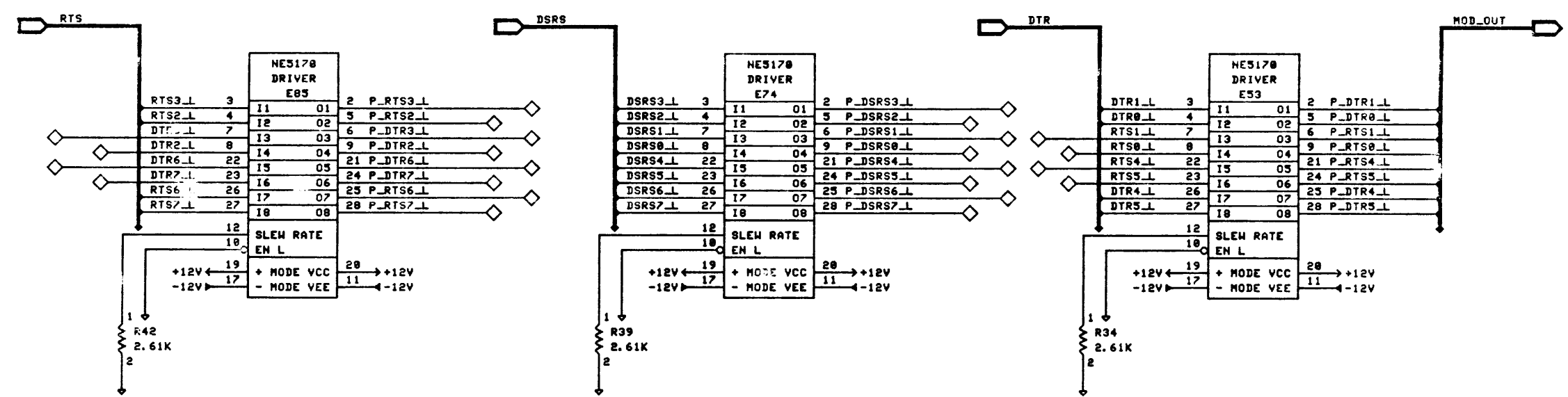
CHK	CHANGE NO	REV

THIS DRAWING AND THE SPECIFICATIONS CONTAINED HEREIN ARE CONFIDENTIAL AND PROPRIETARY. THEY ARE THE PROPERTY OF DIGITAL EQUIPMENT CORP. AND SHALL NOT BE REPRODUCED OR COPIED OR USED IN WHOLE OR IN PART AS THE BASIS FOR MANUFACTURE OR SALE OF ITEMS WITHOUT WRITTEN PERMISSION. THIS IS AN UNPUBLISHED WORK PROTECTED UNDER THE FEDERAL COPYRIGHT LAWS.

DRN BY	DWS/JDB	DATE	12-MAY-86	TITLE	DECSERVER 200
CRK BY	M FARIAH	DATE	12-MAY-86	NUMBER	5418034-0-TRM2
ENG	DJC/WSH	DATE	12-MAY-86	REV	A
PAGE	1 OF 1	TOP DOC	K-DD-5418034-0-0		

22 MAY 86 14:11 USER:PROTEUS/WORKING/DECSERVER200/CTRL/MAIN\_BRO740-ENTER 1.DRAW

NOTE:  
REFER TO TABLE ON PAGE INT4  
FOR PART CONFIGURATION



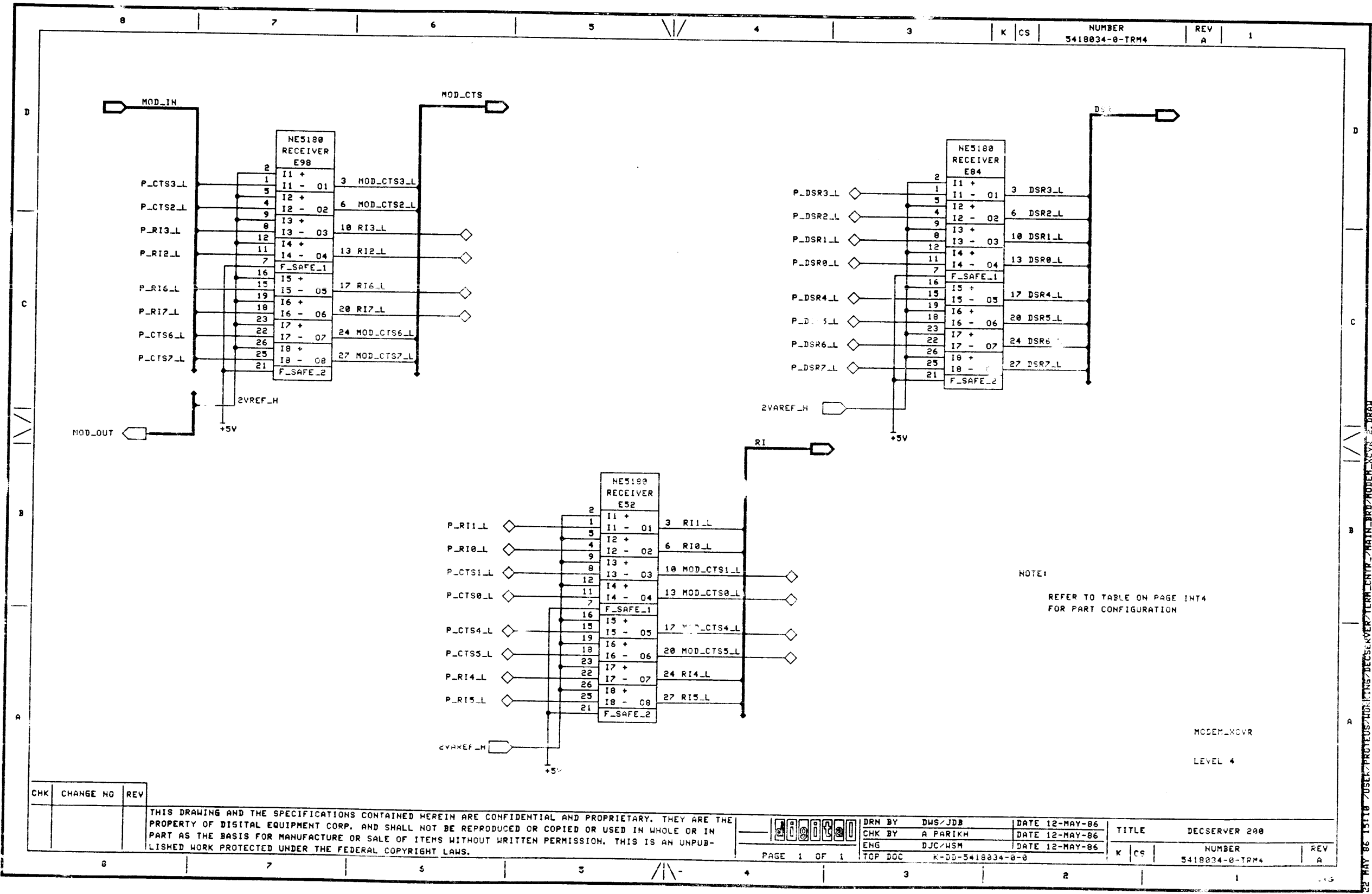
MODEM\_XCVR  
LEVEL 4

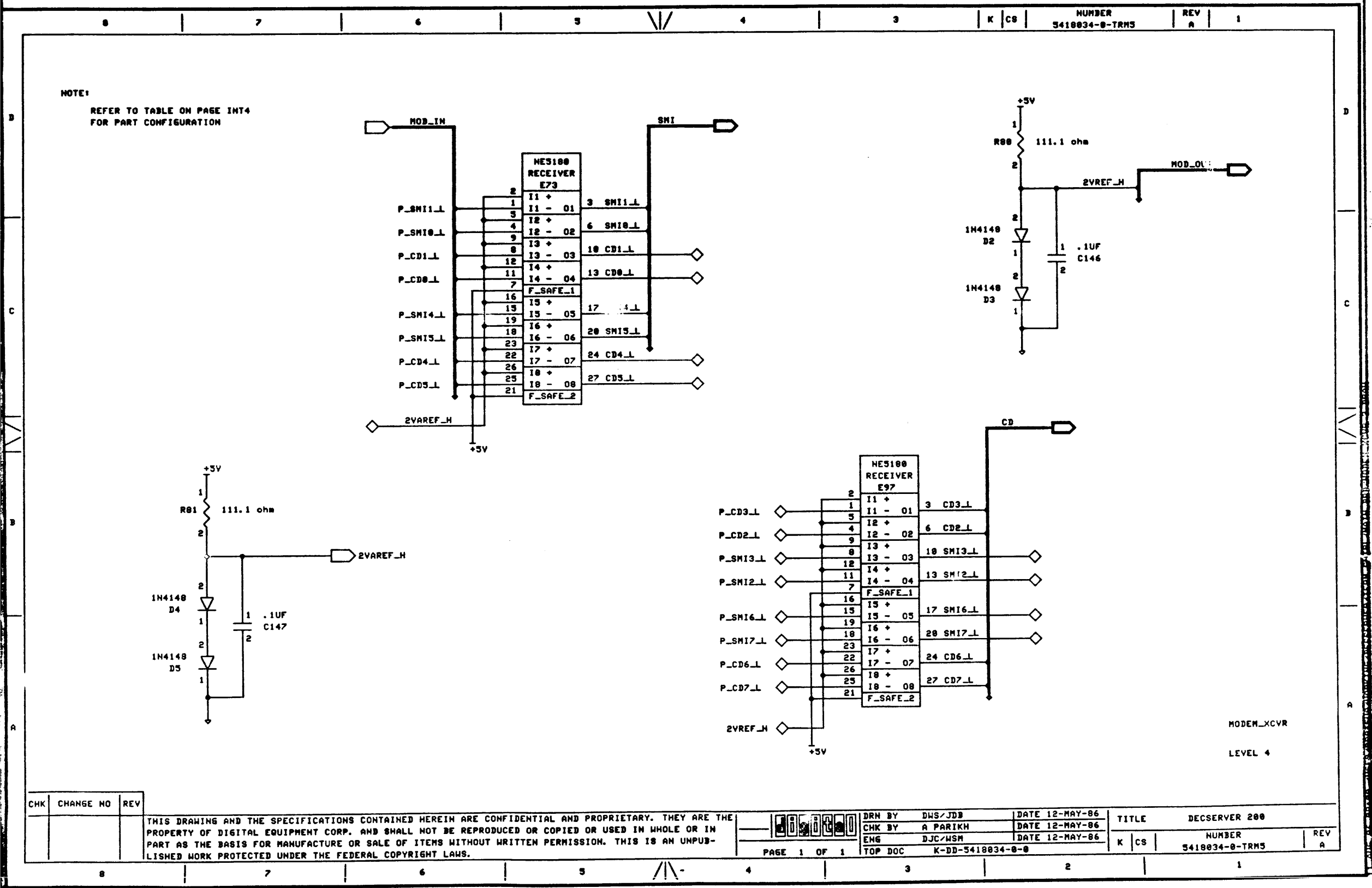
CHK	CHANGE NO	REV

THIS DRAWING AND THE SPECIFICATIONS CONTAINED HEREIN ARE CONFIDENTIAL AND PROPRIETARY. THEY ARE THE PROPERTY OF DIGITAL EQUIPMENT CORP. AND SHALL NOT BE REPRODUCED OR COPIED OR USED IN WHOLE OR IN PART AS THE BASIS FOR MANUFACTURE OR SALE OF ITEMS WITHOUT WRITTEN PERMISSION. THIS IS AN UNPUBLISHED WORK PROTECTED UNDER THE FEDERAL COPYRIGHT LAWS.

DRN BY	DWS/JDB	DATE	12-MAY-86	TITLE	DECSERVER 200
CHK BY	M FRAIKH	DATE	12-MAY-86	NUMBER	5418034-0-TRM3
ENG	DJC/WSM	DATE	12-MAY-86	REV	A
PAGE 1 OF 1		TOP DOC		K CS	

12 MAY 86 14115 70SER/PROTEUS/WORKING/DECSERVER/TERM2/PL/MATH/DR07A



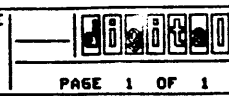


NOTE:  
REFER TO TABLE ON PAGE INT4  
FOR PART CONFIGURATION

NUMBER 5418834-0-TRM5  
REV A 1

CHK	CHANGE NO	REV

THIS DRAWING AND THE SPECIFICATIONS CONTAINED HEREIN ARE CONFIDENTIAL AND PROPRIETARY. THEY ARE THE PROPERTY OF DIGITAL EQUIPMENT CORP. AND SHALL NOT BE REPRODUCED OR COPIED OR USED IN WHOLE OR IN PART AS THE BASIS FOR MANUFACTURE OR SALE OF ITEMS WITHOUT WRITTEN PERMISSION. THIS IS AN UNPUBLISHED WORK PROTECTED UNDER THE FEDERAL COPYRIGHT LAWS.

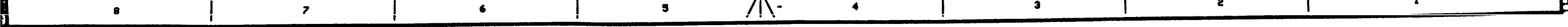


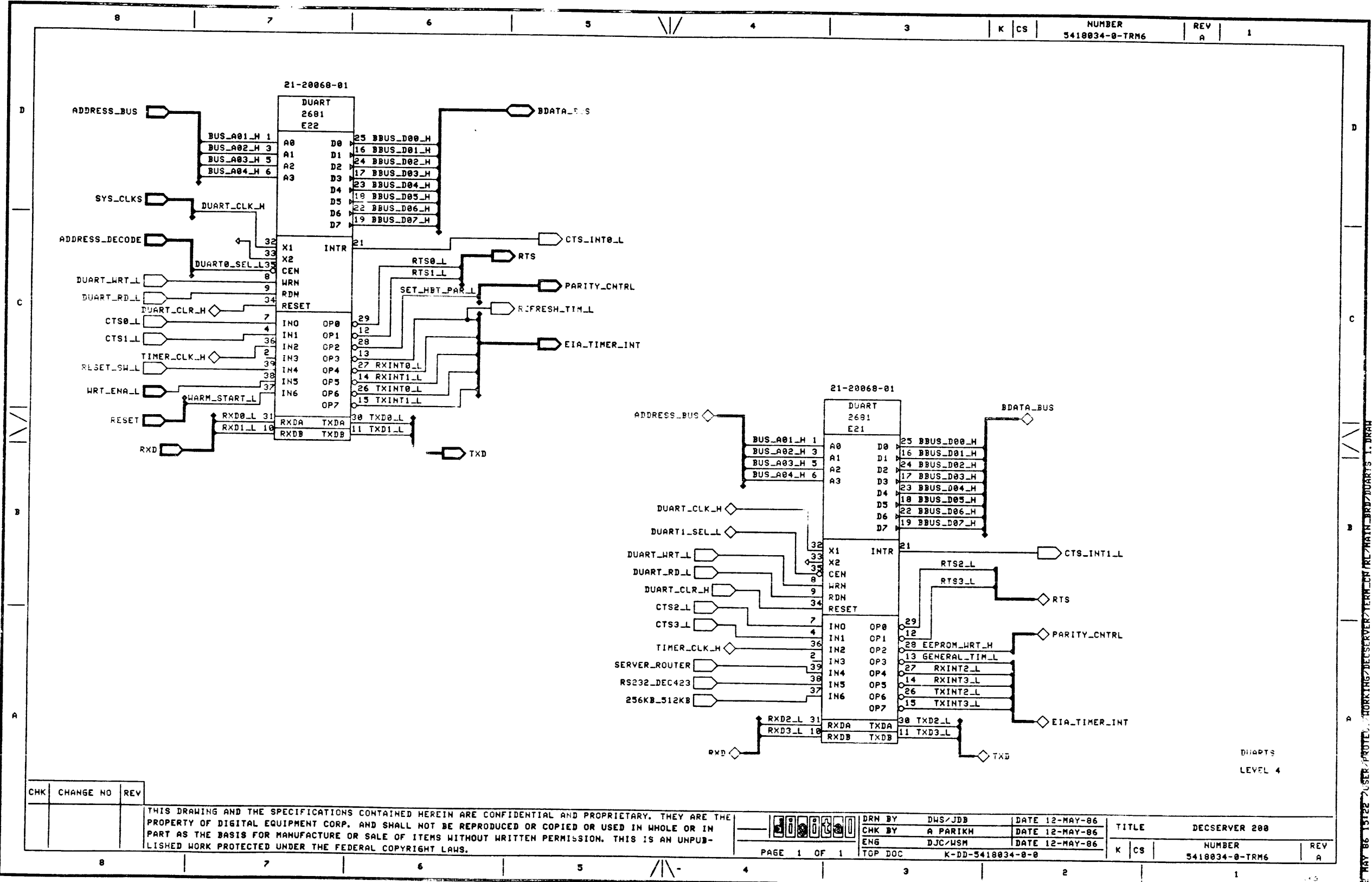
DRN BY DHS/JDB DATE 12-MAY-86  
CHK BY A PARIKH DATE 12-MAY-86  
ENG DJC/MSM DATE 12-MAY-86

TITLE DECSERVER 280  
NUMBER 5418834-0-TRM5  
REV A

PAGE 1 OF 1

TOP DOC K-DD-5418834-0-0

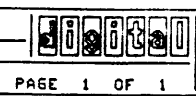




DUARTS  
LEVEL 4

CHK	CHANGE NO	REV

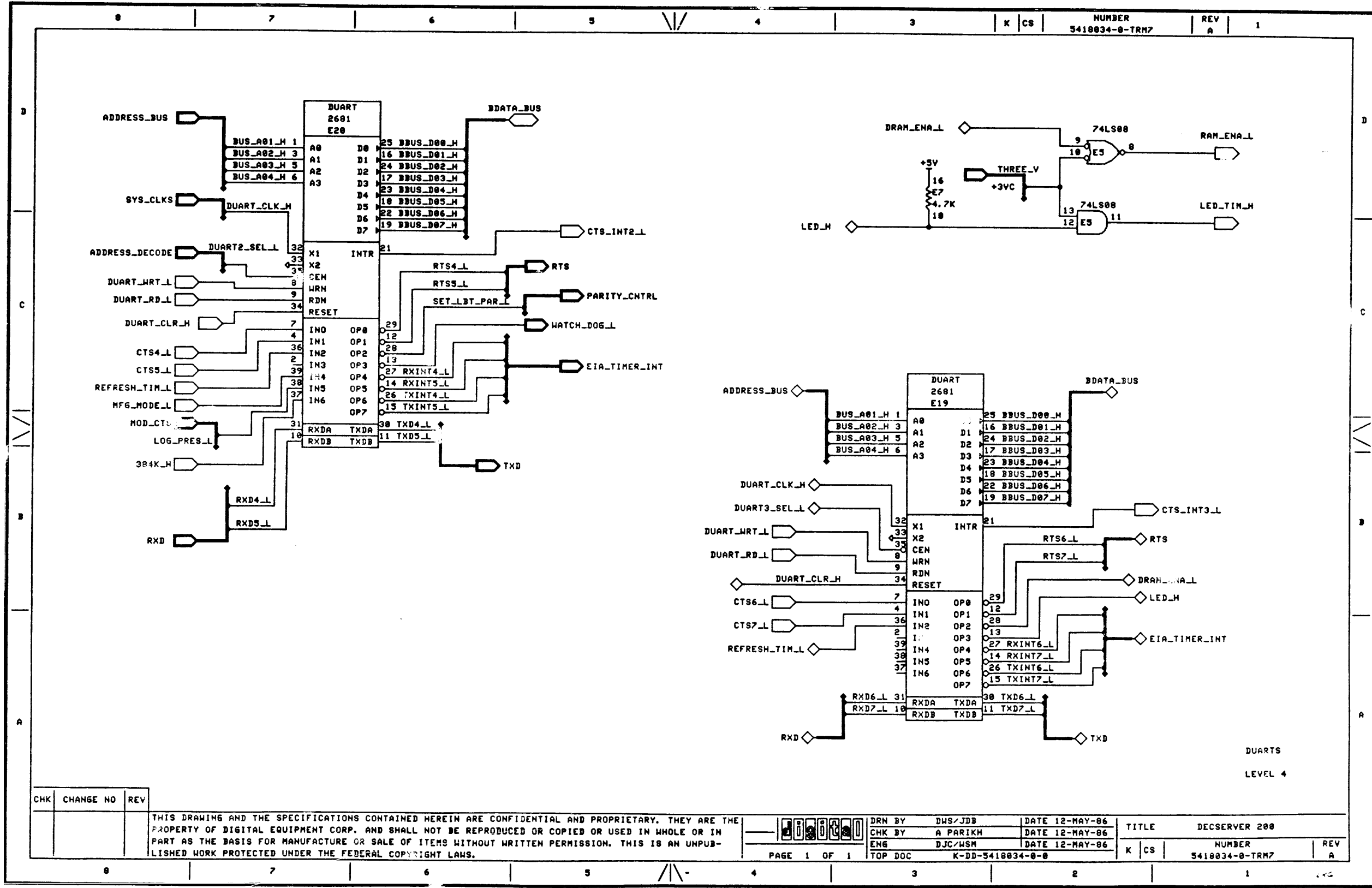
THIS DRAWING AND THE SPECIFICATIONS CONTAINED HEREIN ARE CONFIDENTIAL AND PROPRIETARY. THEY ARE THE PROPERTY OF DIGITAL EQUIPMENT CORP. AND SHALL NOT BE REPRODUCED OR COPIED OR USED IN WHOLE OR IN PART AS THE BASIS FOR MANUFACTURE OR SALE OF ITEMS WITHOUT WRITTEN PERMISSION. THIS IS AN UNPUBLISHED WORK PROTECTED UNDER THE FEDERAL COPYRIGHT LAWS.



DRN BY DWS/JDB DATE 12-MAY-86  
 CHK BY A PARIKH DATE 12-MAY-86  
 ENG DJC/WSH DATE 12-MAY-86  
 TOP DOC K-DD-5418034-0-0

TITLE DECSERVER 200  
 NUMBER 5418034-0-TRM6  
 REV A

25 MAY 86 15:22 USER:PROTEL WORKING:DECSERVER/TEAR/PC/MAIN/DRY/QUARTS L. DRAM



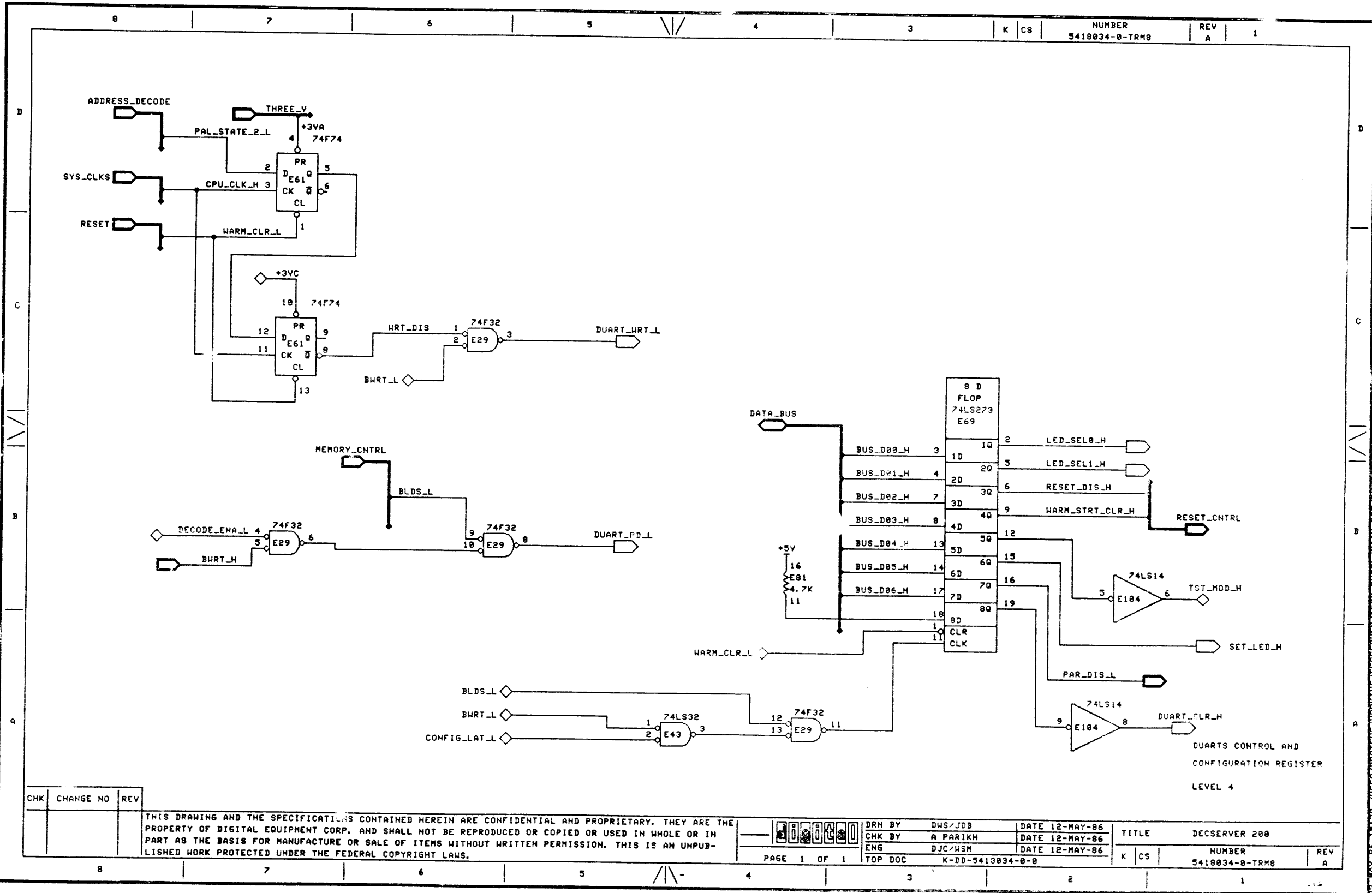
CHK	CHANGE NO	REV

THIS DRAWING AND THE SPECIFICATIONS CONTAINED HEREIN ARE CONFIDENTIAL AND PROPRIETARY. THEY ARE THE PROPERTY OF DIGITAL EQUIPMENT CORP. AND SHALL NOT BE REPRODUCED OR COPIED OR USED IN WHOLE OR IN PART AS THE BASIS FOR MANUFACTURE OR SALE OF ITEMS WITHOUT WRITTEN PERMISSION. THIS IS AN UNPUBLISHED WORK PROTECTED UNDER THE FEDERAL COPYRIGHT LAWS.

DRN BY	DWS/JDB	DATE	12-MAY-86	TITLE	DECSERVER 200
CHK BY	A PARIKH	DATE	12-MAY-86	NUMBER	5418034-0-TRM7
ENG	DJC/WSM	DATE	12-MAY-86	REV	A
TOP DOC	K-DD-5418034-0-0				

22 MAY 86 13:24 USER:PRC:TEUS:WORKING/DECSERVER/TERM\_CNTRL7/RA(C)\_RD/UARTS 2-DRAW



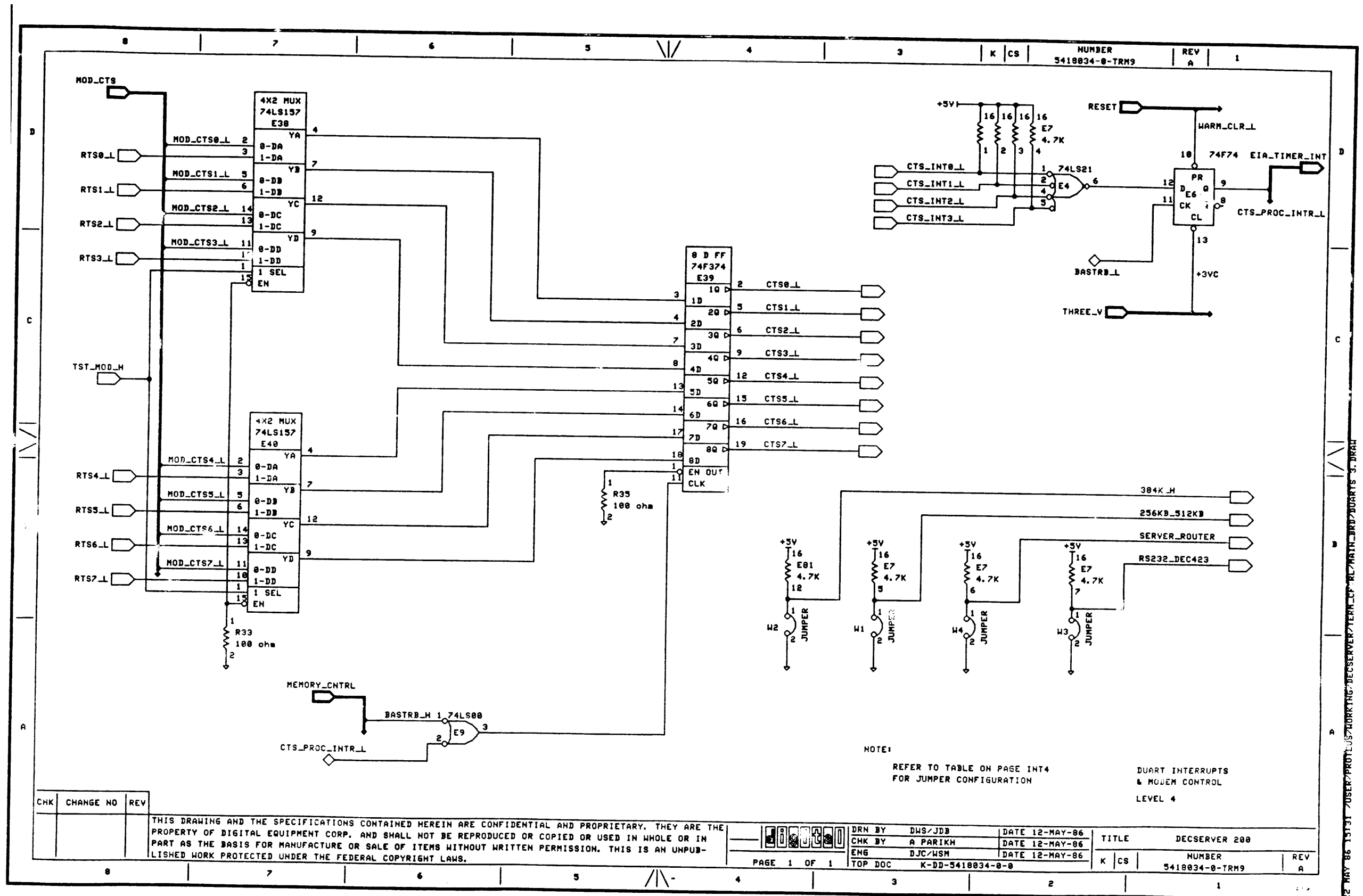


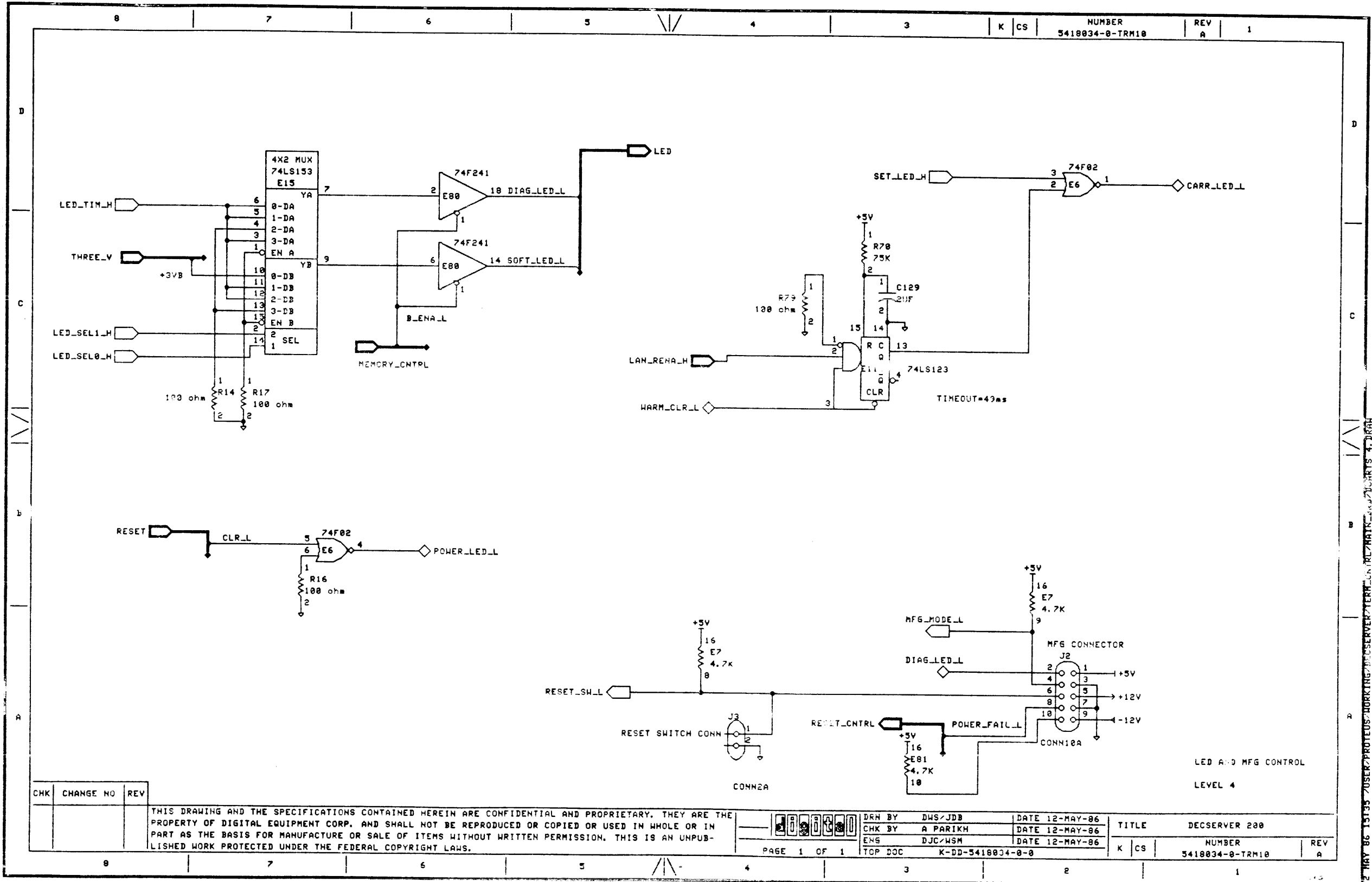
CHK	CHANGE NO	REV

THIS DRAWING AND THE SPECIFICATIONS CONTAINED HEREIN ARE CONFIDENTIAL AND PROPRIETARY. THEY ARE THE PROPERTY OF DIGITAL EQUIPMENT CORP. AND SHALL NOT BE REPRODUCED OR COPIED OR USED IN WHOLE OR IN PART AS THE BASIS FOR MANUFACTURE OR SALE OF ITEMS WITHOUT WRITTEN PERMISSION. THIS IS AN UNPUBLISHED WORK PROTECTED UNDER THE FEDERAL COPYRIGHT LAWS.

DRN BY	DWS/JDB	DATE	12-MAY-86	TITLE	DECSERVER 200
CHK BY	A PARIKH	DATE	12-MAY-86	NUMBER	5418034-0-TRM8
ENG	DJC/HSM	DATE	12-MAY-86	REV	A
TOP DOC	K-DD-5418034-0-0				

22 MAY 86 13:28 USER:PROTEUS/WORKING/DCSERVER/TERM\_CNTRL/MAIN\_BOARD/DUARTS\_5.DRAW





CHK	CHANGE NO	REV

THIS DRAWING AND THE SPECIFICATIONS CONTAINED HEREIN ARE CONFIDENTIAL AND PROPRIETARY. THEY ARE THE PROPERTY OF DIGITAL EQUIPMENT CORP. AND SHALL NOT BE REPRODUCED OR COPIED OR USED IN WHOLE OR IN PART AS THE BASIS FOR MANUFACTURE OR SALE OF ITEMS WITHOUT WRITTEN PERMISSION. THIS IS AN UNPUBLISHED WORK PROTECTED UNDER THE FEDERAL COPYRIGHT LAWS.

PAGE 1 OF 1  
TOP DOC

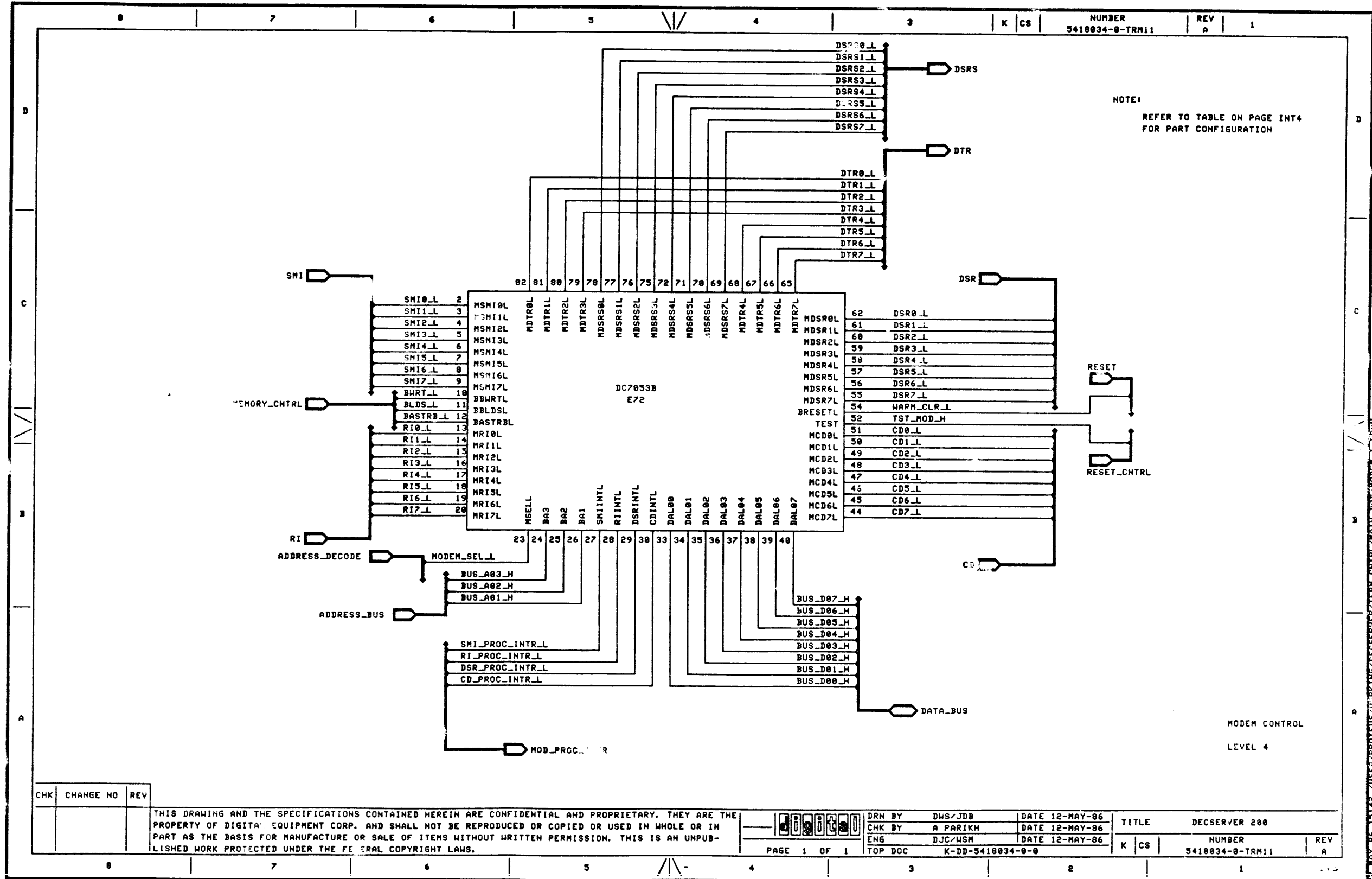
DRW BY DHS/JDB  
CHK BY A PARIKH  
ENG DJC/HSM

DATE 12-MAY-86  
DATE 12-MAY-86  
DATE 12-MAY-86

TITLE DECSERVER 200

NUMBER 5418034-0-TRM10  
REV A

12 MAY 86 15:35 USER:PROTEUS:WORKING/DECSERVER/TERM/CON/REPAIR/CON/2/CHARTS 4.DRAW



NOTE:  
REFER TO TABLE ON PAGE INT4  
FOR PART CONFIGURATION

MODEM CONTROL  
LEVEL 4

CHK	CHANGE NO	REV

THIS DRAWING AND THE SPECIFICATIONS CONTAINED HEREIN ARE CONFIDENTIAL AND PROPRIETARY. THEY ARE THE PROPERTY OF DIGITAL EQUIPMENT CORP. AND SHALL NOT BE REPRODUCED OR COPIED OR USED IN WHOLE OR IN PART AS THE BASIS FOR MANUFACTURE OR SALE OF ITEMS WITHOUT WRITTEN PERMISSION. THIS IS AN UNPUBLISHED WORK PROTECTED UNDER THE FEDERAL COPYRIGHT LAWS.

DRN BY	DWS/JDB	DATE	12-MAY-86
CHK BY	A PARIKH	DATE	12-MAY-86
ENG	DJC/MSM	DATE	12-MAY-86
PAGE 1 OF 1	TOP DOC	K-DD-5418034-0-0	

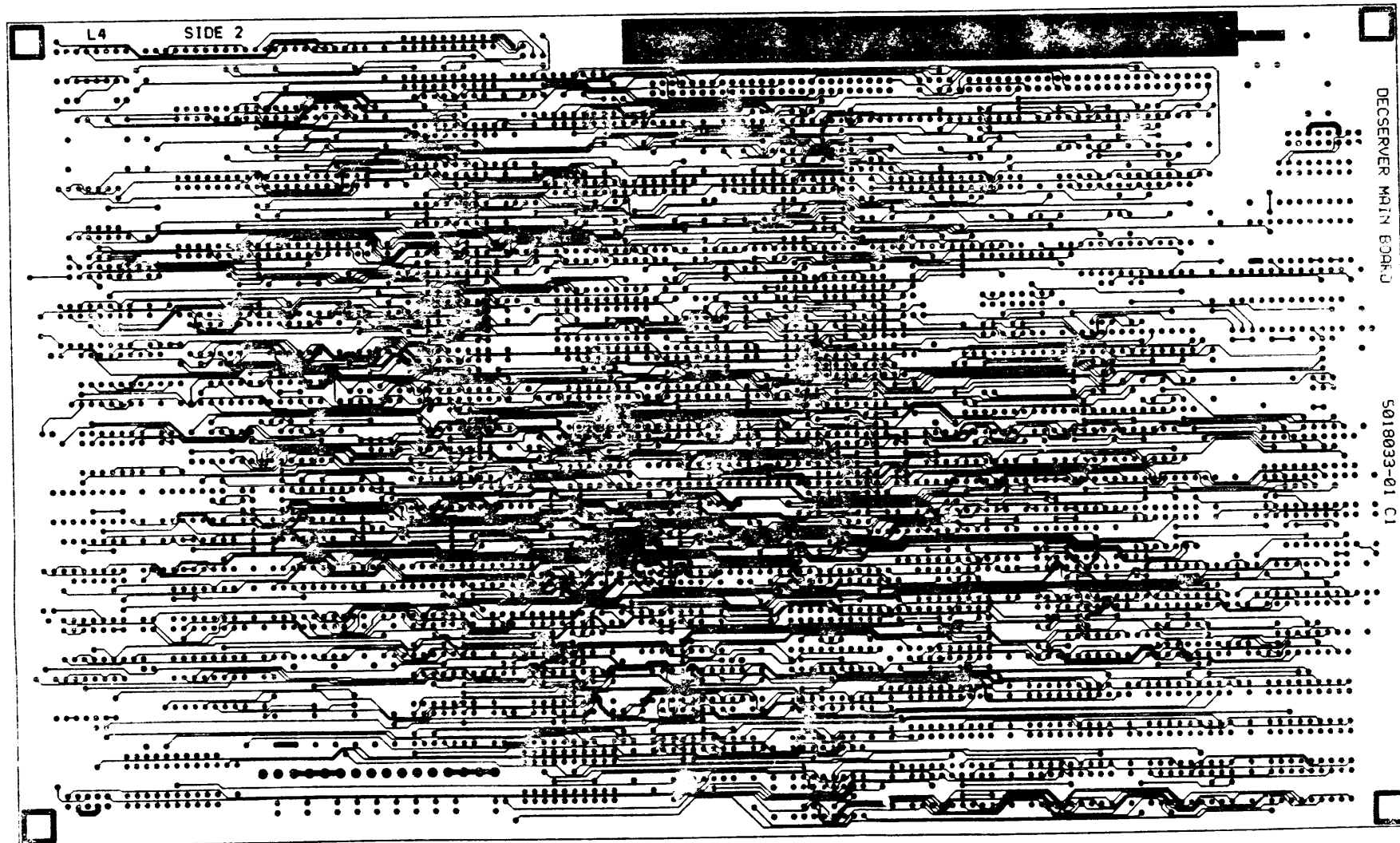
TITLE	DECSERVER 200		
NUMBER	5418034-0-TRM11	REV	A

22 MAY 86 15:42 USER:PROTEUS/WORKING/DECSERVER/TERM\_CNTRL/MATH\_BRU/MODEM\_CNTRL

REVISIONS

J  
I  
F  
E  
D  
C  
B  
A

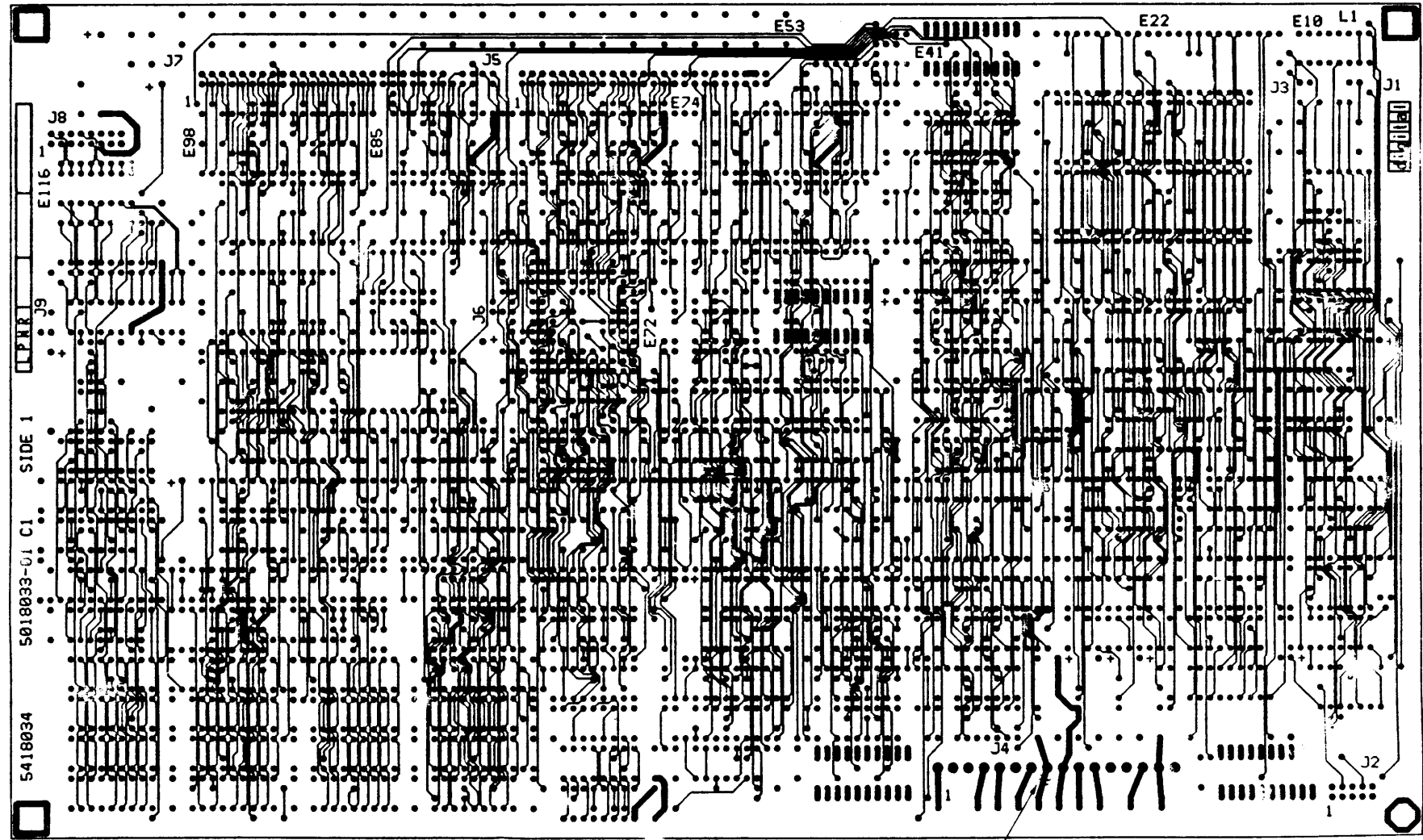
J  
I  
F  
E  
D  
C  
B  
A



DOCUMENT NUMBER		DATE
REV	NUMBER	DATE
1	5018093-01	10-1-68
SCALE	SHEET	OF
	1	1

LD-1 29-APR-1986 18:30:14 \*\*PENDING\*\* 5418034 SIDE 1 C1

CHK	DRAWN BY	ENGINEER	CHANGE NO	DATE	REV	CHK	DRAWN BY	ENGINEER	CHANGE NO	DATE	REV



0-1

DRAWN	DATE	TITLE	DOCUMENT NUMBER
CHECKED	DATE	digital	
DES Dwg	DATE	ETCH-OUT BOARDING	
REP Dwg	DATE		
WFO Dwg	DATE		

THIS DRAWING AND THE SPECIFICATIONS CONTAINED HEREIN ARE CONFIDENTIAL AND PROPRIETARY. THEY ARE THE PROPERTY OF DIGITAL EQUIPMENT CORPORATION AND SHALL NOT BE REPRODUCED OR COPIED OR USED IN WHOLE OR IN PART AS THE BASIS FOR THE MANUFACTURE OR SALE OF ITEMS WITHOUT WRITTEN PERMISSION. THIS IS AN UNPUBLISHED WORK PROTECTED UNDER THE FEDERAL COPYRIGHT LAWS 1986

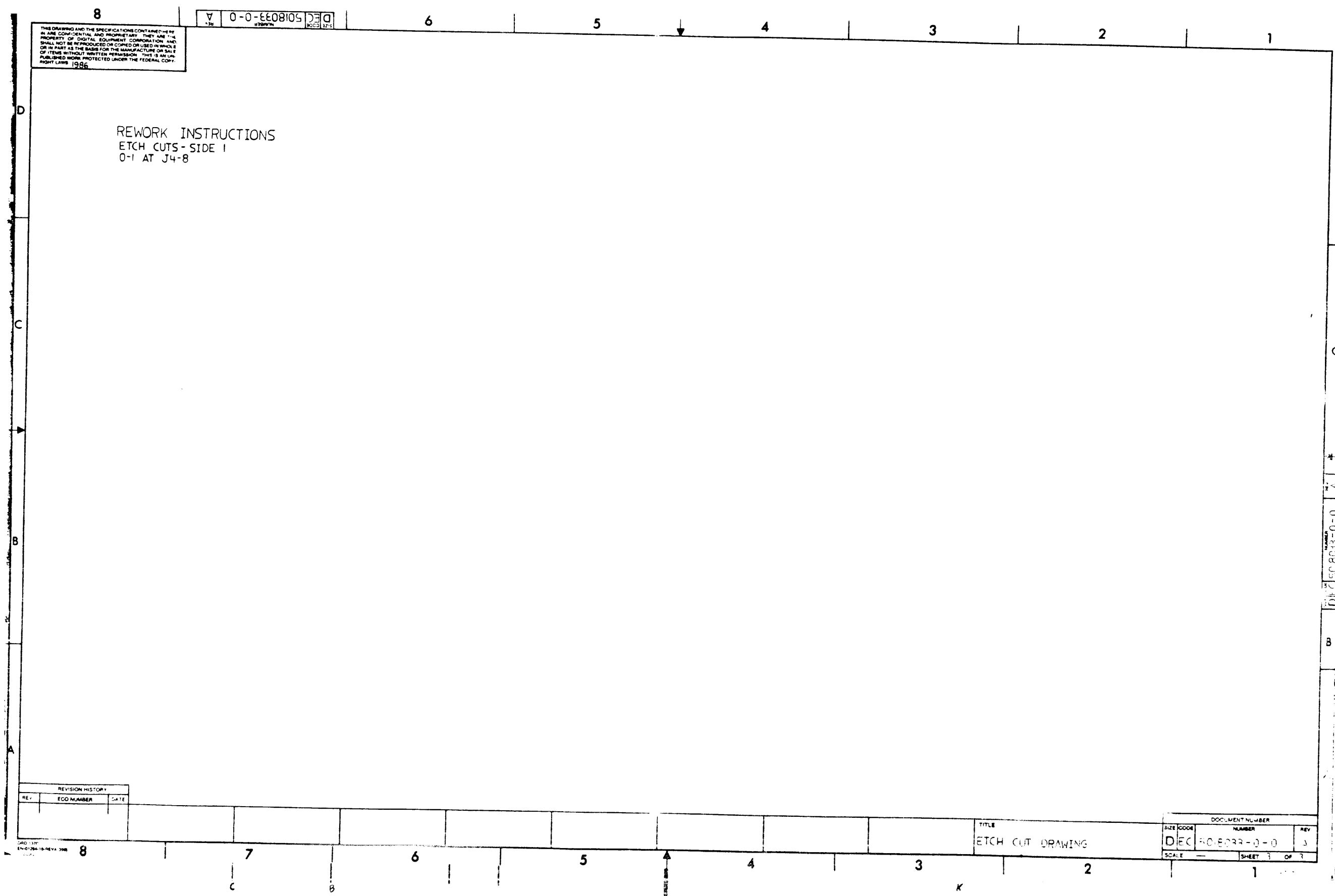
DEC 508033-0-0

REWORK INSTRUCTIONS  
ETCH CUTS - SIDE 1  
0-1 AT J4-8

REVISION HISTORY		
REV.	ECO NUMBER	DATE

TITLE  
ETCH CUT DRAWING

DOCUMENT NUMBER		
SIZE CODE	NUMBER	REV
DEC	508033-0-0	3
SCALE	SHEET 3 OF 7	



END 1337  
EN-0126-16-REV 3 208